



# TITAN®

## OPERATION MANUAL

- GB -	OPERATION MANUAL	2
- D -	BETRIEBSANLEITUNG	34
- F -	MODE D'EMPLOI	66

# POWRBEAST™

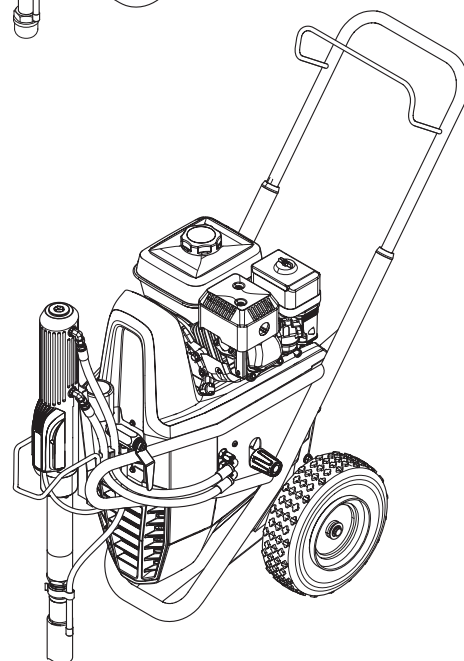
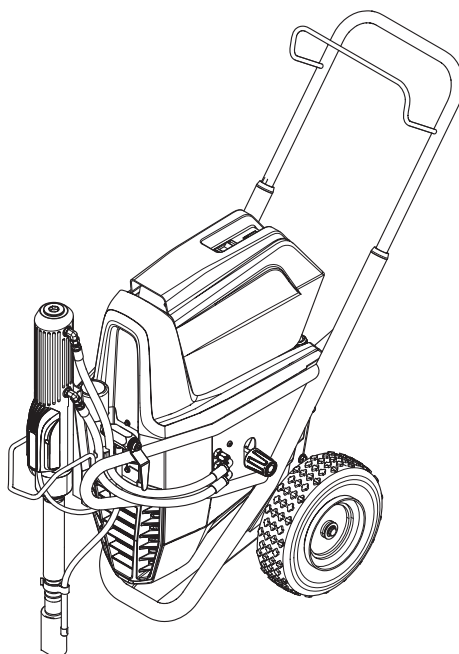
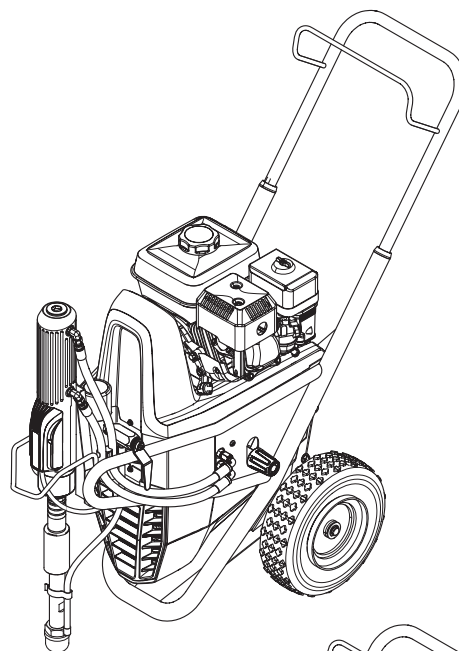
AIRLESS, HIGH-PRESSURE  
SPRAYING UNIT

AIRLESS HOCHDRUCK-  
SPRITZGERÄT

GROUPE DE PROJECTION À  
HAUTE PRESSION

### Models:

PowrBeast 4700 (120V)	537000
PowrBeast 4700 (Gas)	537001
PowrBeast 7700 (230V)	537003
PowrBeast 7700 (Gas)	537005
PowrBeast 9700 (Gas)	537007
PowrBeast 4700T (120V)	537010



# Warning!

**Attention: Danger of injury by injection!**  
**Airless units develop extremely high spraying pressures.**

**1**

**Never put your fingers, hands or any other parts of the body into the spray jet!**

**Never point the spray gun at yourself, other persons or animals.  
Never use the spray gun without safety guard.**

**Do not treat a spraying injury as a harmless cut. In case of injury to the skin through coating materials or solvents, consult a doctor immediately for quick and expert treatment. Inform the doctor about the coating material or solvent used.**

**2**

**The operating instructions state that the following points must always be observed before starting up:**

1. Faulty units must not be used.
2. Secure Titan spray gun using the trigger lock on the trigger.
3. Ensure that the unit is properly earthed.
4. Check allowable operating pressure of high-pressure hose and spray gun.
5. Check all connections for leaks.

**3**

**The instructions regarding regular cleaning and maintenance of the unit must be strictly observed.**

**Before any work is done on the unit or for every break in work the following rules must be observed:**

1. Release the pressure from spray gun and hose.
2. Secure the Titan spray gun using the trigger lock on the trigger.
3. Switch off unit.

# Be safety conscious!

<b>1</b>	<b>SAFETY REGULATIONS FOR AIRLESS SPRAYING</b>	<b>4</b>	<b>7</b>	<b>MAINTENANCE</b>	<b>22</b>
1.1	Explanation of symbols used	4	7.1	Daily maintenance	22
1.2	Electrical safety	4	7.2	Lubricating the upper packings	22
1.3	Safety hazards	4	7.3	Maintaining the filter assembly	22
1.4	Setup on an uneven surface	6	7.4	Maintaining the hydraulic system	23
1.5	Gasoline engine safety	6	7.5	Maintaining the fluid section	24
1.6	Fueling (gas engine)	7	7.6	High pressure hose	25
			7.7	Basic engine maintenance	25
			7.8	Servicing the hydraulic motor	26
<b>2</b>	<b>MAIN AREAS OF APPLICATION</b>	<b>8</b>	7.9	Servicing the fluid section	28
2.1	Application	8	7.10	Replacing the belt	30
2.2	Coating materials	8			
<b>3</b>	<b>DESCRIPTION OF UNIT</b>	<b>9</b>	<b>8</b>	<b>TROUBLESHOOTING</b>	<b>31</b>
3.1	Airless process	9	8.1	Airless gun	31
3.2	Functioning of the unit	9	8.2	Fluid section	31
3.3	System diagram - gasoline PowrBeast units	10	8.3	Hydraulic motors	32
3.4	System diagram - electric PowrBeast units	11	8.4	Spray patterns	33
3.5	Technical data for PowrBeast units	12			
3.6	Transportation	13			
<b>4</b>	<b>OPERATION</b>	<b>13</b>		<b>ACCESSORIES AND SPARE PARTS</b>	<b>98</b>
4.1	Setup	13		Spare parts list for the main assembly I	98/99
4.2	Starting the engine (gas models)	15		Spare parts list for the main assembly II	100/101
4.3	Preparing a new sprayer	15		Spare parts list for the cart assembly	102/103
4.4	Preparing to paint	16		Spare parts list for the hydraulic system	104/105
4.5	Painting	17		Spare parts list for the fluid section •	
4.6	Pressure relief procedure	17		PowrBeast 4700 / PowrBeast 4700T	106/107
				Spare parts list for the fluid section •	
<b>5</b>	<b>SPRAYING</b>	<b>18</b>		PowrBeast 7700 / 9700	108/109
5.1	Cleaning a clogged tip	18		Spare parts list for the hydraulic motor assembly	110/111
5.2	Interruption of work	19		Spare parts list for the high-pressure filter	112/113
5.3	Handling the high pressure hose	19		Spare parts list for bleed valve assembly	114
				Spare parts list for bleed valve assembly, heavy materials	115
				Spare parts list for solenoid assembly	116/117
<b>6</b>	<b>CLEANUP</b>	<b>20</b>		<b>CONNECTION DIAGRAM (120V)</b>	<b>118</b>
6.1	Special cleanup instructions for use with flammable solvents	20		<b>CONNECTION DIAGRAM (230V)</b>	<b>119</b>
6.2	Cleaning the sprayer	20		<b>CONNECTION DIAGRAM (GAS ENGINE)</b>	<b>120</b>
6.3	Cleaning the outside of the sprayer	20		<b>HYDRAULIC DIAGRAM</b>	<b>121</b>
6.4	Cleaning the filter screen	21		<b>ACCESSORIES FOR POWRBEAST UNITS</b>	<b>122/123</b>
6.5	Cleaning the airless spray gun	21		<b>WARRANTY</b>	<b>126</b>

# 1 SAFETY REGULATIONS FOR AIRLESS SPRAYING

## 1.1 EXPLANATION OF SYMBOLS USED

This manual contains information that must be read and understood before using the equipment. When you come to an area that has one of the following symbols, pay particular attention and make certain to heed the safeguard.



→ This symbol indicates a potential hazard that may cause serious injury or loss of life. Important safety information will follow.



Attention

→ This symbol indicates a potential hazard to you or to the equipment. Important information that tells how to prevent damage to the equipment or how to avoid causes of minor injuries will follow.



→ Danger of skin injection



→ Danger of fire from solvent and paint fumes



→ Danger of explosion from solvent, paint fumes and incompatible materials



→ Danger of injury from inhalation of harmful vapors



→ Danger of injury from electric shock



→ Notes give important information which should be given special attention.



### → **WARNING! CALIFORNIA PROPOSITION 65 WARNING**

This product can expose you to chemicals including lead, which are known to the State of California to cause cancer, birth defects, or other reproductive harm.

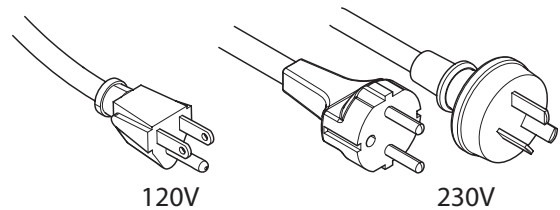
The engine exhaust from models with gas-powered engines can expose you to carbon monoxide which is known to the State of California to cause cancer, birth defects, and other reproductive harm.

For more information go to [www.P65warnings.ca.gov](http://www.P65warnings.ca.gov).

## 1.2 ELECTRIC SAFETY

Electric models must be grounded/earthed. In the event of an electrical short circuit, grounding/earthing reduces the risk of electric shock by providing an escape wire for the electric current. This product is equipped with a cord having an grounding/earthing wire with an appropriate grounding/earthing plug. Connection to the power cord only through a special feed point, e.g. through an error protection installation with INF < 30 mA.

- Improper installation of the grounding plug can result in a risk of electric shock.
- This product is for use on a nominal 120V or 230V circuit and has a grounding plug similar to the plugs in the figure below.



120V

230V

- Only connect the unit to an outlet that has the same configuration as the plug.
- Do not use a 3 to 2 adapter with this product.



**DANGER** — Work or repairs at the electrical equipment may only be carried out by a skilled electrician. No liability is assumed for incorrect installation. Switch the unit off. Before all repair work, unplug the power plug from the outlet.



Danger of short-circuits caused by water ingressing into the electrical equipment. Never spray down the unit with high-pressure or high-pressure steam cleaners.

## 1.3 SAFETY HAZARDS



**IMPORTANT SAFETY INSTRUCTIONS.**  
SAVE THESE INSTRUCTIONS.



### WARNING: INJECTION INJURY

A high pressure stream produced by this equipment can pierce the skin and underlying tissues, leading to serious injury and possible amputation.

Do not treat a spraying injury as a harmless cut. In case of injury to the skin through coating materials or solvents, consult a doctor immediately for quick and expert treatment. Inform the doctor about the coating material or solvent used.

#### PREVENTION:

- NEVER aim the gun at any part of the body.
- NEVER allow any part of the body to touch the fluid stream. DO NOT allow body to touch a leak in the fluid hose.
- NEVER put your hand in front of the gun. Gloves will not provide protection against an injection injury.
- ALWAYS lock the gun trigger, shut the fluid pump off and release all pressure before servicing, cleaning the tip guard, changing tips, or leaving unattended. Pressure will not be released by turning off the engine. The PRIME/SPRAY valve or pressure bleed valve must be turned to their appropriate positions to relieve system pressure.
- ALWAYS keep tip guard in place while spraying. The tip guard provides some protection but is mainly a warning device.
- ALWAYS remove the spray tip before flushing or cleaning the system.
- NEVER use a spray gun without a working trigger lock and trigger guard in place.
- All accessories must be rated at or above the maximum operating pressure range of the sprayer. This includes spray tips, guns, extensions, and hose.



### WARNING: HIGH PRESSURE HOSE

The paint hose can develop leaks from wear, kinking and abuse. A leak can inject material into the skin. Inspect the hose before each use.

#### PREVENTION:

- Avoid sharp bending or kinking of the high-pressure hose. The smallest bending radius amounts to about 20 cm.
- Do not drive over the high-pressure hose. Protect against sharp objects and edges.
- Replace any damaged high-pressure hose immediately.
- Never repair damaged high-pressure hoses yourself!

- Electrostatic charging of spray guns and the high-pressure hose is discharged through the high-pressure hose. For this reason the electric resistance between the connections of the high-pressure hose must be equal to or lower than 1MΩ.
- For reasons of function, safety and durability use only original Titan high-pressure hoses.
- Before each use, check all hoses for cuts, leaks, abrasion or bulging of cover. Check for damage or movement of couplings. Immediately replace the hose if any of these conditions exist. Never repair a paint hose. Replace it with another earthed high-pressure hose.
- Make sure power cord, air hose and spray hoses are routed in such a manner to minimize slip, trip and fall hazard.
- Do not expose the hose to temperatures or pressures in excess of those specified by the manufacturer.
- Do not use the hose as a strength member to pull or lift the equipment.



### WARNING: EXPLOSION OR FIRE

Flammable vapors, such as solvent and paint vapors, in work area can ignite or explode.



#### PREVENTION:

- Use equipment only in well ventilated area. Keep a good supply of fresh air moving through the area to keep the air within the spray area free from accumulation of flammable vapors. Keep pump assembly in well ventilated area. Do not spray pump assembly.
- Electric models only - Do not use materials with a flashpoint below 38° C (100° F). Flashpoint is the temperature at which a fluid can produce enough vapors to ignite.
- Gas models only - Do not fill fuel tank while engine is running or hot; shut off engine and allow to cool. Fuel is flammable and can ignite or explode if spilled on a hot surface.
- Eliminate all ignition sources, such as pilot lights, cigarettes, portable electric lamps and plastic drop cloths (potential static arc).
- Keep work area free of debris, including solvent, rags and gasoline.
- Do not plug or unplug power cords, or turn power or light switches on or off when flammable vapors are present.
- Ground equipment and conductive objects in work area. Make sure the grounding cable (not equipped) is connected from the grounding lug to a true earth ground.

- Use only grounded hoses.
- Hold spray gun firmly to the side of a grounded pail when triggering into pail.
- If there is static sparking or if you feel a shock, stop operation immediately.
- Know the contents of the paint and solvents being sprayed. Read all material Safety Data Sheets (SDS) and container labels provided with the paints and solvents. Follow the paint and solvent manufacturer's safety instructions.
- Do not use a paint or solvent containing halogenated hydrocarbons. Such as chlorine, bleach, mildewcide, methylene chloride and trichloroethane. They are not compatible with aluminum. Contact the coating supplier about compatibility of material with aluminum.
- Keep a fire extinguisher in work area.



### WARNING: HAZARDOUS VAPORS

Paints, solvents, and other materials can be harmful if inhaled or come in contact with body. Vapors can cause severe nausea, fainting, or poisoning.

### PREVENTION:

- Wear respiratory protection when spraying. Read all instructions supplied with the mask to be sure it will provide the necessary protection.
- All local regulations regarding protection against hazardous vapors must be observed.
- Wear protective eyewear.
- Protective clothing, gloves and possibly skin protection cream are necessary for the protection of the skin. Observe the regulations of the manufacturer concerning coating materials, solvents and cleaning agents in preparation, processing and cleaning units.



### WARNING: GENERAL

This product can cause severe injury or property damage.

### PREVENTION:

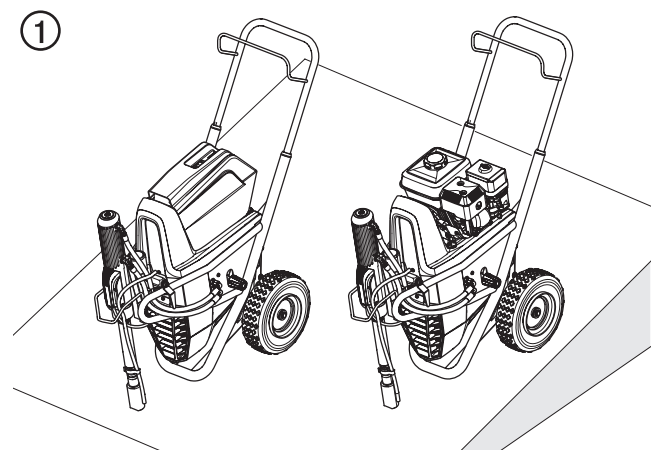
- Follow all appropriate local, state, and national codes governing ventilation, fire prevention, and operation.
- Pulling the trigger causes a recoil force to the hand that is holding the spray gun. The recoil force of the spray gun is particularly powerful when the tip has been removed and high pressure has been set on the airless pump. When cleaning without a spray tip, set the pressure control knob to the lowest pressure.

- Use only manufacturer authorized parts. User assumes all risks and liabilities when using parts that do not meet the minimum specifications and safety devices of the pump manufacturer.
- ALWAYS follow the material manufacturer's instructions for safe handling of paint and solvents.
- Clean up all material and solvent spills immediately to prevent slip hazard.
- Wear ear protection. This unit can produce noise levels above 85 dB(A).
- Never leave this equipment unattended. Keep away from children or anyone not familiar with the operation of airless equipment.
- Do not spray on windy days.
- The device and all related liquids (i.e. hydraulic oil) must be disposed of in an environmentally friendly way.
- Stay alert and watch what you are doing.
- Do not operate the unit when fatigued or under the influence of drugs or alcohol.
- Do not overreach or stand on an unstable support. Keep effective footing and balance at all times.

## 1.4 SETUP ON AN UNEVEN SURFACE

The front end must always point downwards in order to avoid sliding away (fig. 1).


If possible do not use the unit on an inclined surface since the unit tends to wander due to the resulting vibrations.



**1.5 GASOLINE ENGINE SAFETY**


1. Gas engines are designed to give safe and dependable service if operated according to instructions. Read and understand the engine manufacturer’s Owner’s Manual before operating the engine. Failure to do so could result in personal injury or equipment damage.
2. To prevent fire hazards and to provide adequate ventilation, keep the engine at least 1 meter (3 feet) away from buildings and other equipment during operation. Do not place flammable objects close to the engine.
3. People who are not operating the device must stay away from the area of operation due to a possibility of burns from hot engine components or injury from any equipment the engine may be used to operate.
4. Know how to stop the engine quickly, and understand the operation of all controls. Never permit anyone to operate the engine without proper instructions.
5. Gasoline is extremely flammable and is explosive under certain conditions.
6. Refuel in a well-ventilated area with the engine stopped. Do not smoke or allow flames or sparks in the refueling area or where gasoline is stored.
7. Do not overfill the fuel tank. After refueling, make sure the tank cap is closed properly and securely.
8. Be careful not to spill fuel when refueling. Fuel vapor or spilled fuel may ignite. If any fuel is spilled, make sure the area is dry before starting the engine.
9. Never run the engine in an enclosed or confined area. Exhaust contains poisonous carbon monoxide gas; exposure may cause loss of consciousness and may lead to death.
10. The muffler becomes very hot during operation and remains hot for a while after stopping the engine. Be careful not to touch the muffler while it is hot. To avoid severe burns or fire hazards, let the engine cool before transporting it or storing it indoors.
11. Never ship/transport sprayer with gasoline in the tank.

**1.6 FUELING (GAS ENGINE)**

	<p>Gasoline is extremely flammable and is explosive under certain conditions.</p>
---	---

**FUEL SPECIFICATIONS**


Use automotive gasoline that has a pump octane number of 86 or higher, or that has a research octane number of 91 or higher. Use of a lower octane gasoline can cause persistent “pinging” or heavy “spark knock” (a metallic rapping noise) which, if severe, can lead to engine damage.

	<p>If “spark knock” or “pinging” occurs at a steady engine speed under normal load, change brands of gasoline. If spark knock or pinging persists, consult an authorized dealer of the engine manufacturer. Failure to do so is considered misuse, and damage caused by misuse is not covered by the engine manufacturer’s limited warranty.</p> <p>Occasionally you may experience light spark knock while operating under heavy loads. This is no cause for concern, it simply means your engine is operating efficiently.</p>
---	--

- Unleaded fuel produces fewer engine and spark plug deposits and extends the life of the exhaust system components.
- Never use stale or contaminated gasoline or an oil/gasoline mixture. Avoid getting dirt, dust, or water in the fuel tank.

**GASOLINES CONTAINING ALCOHOL**

If you decide to use a gasoline containing alcohol (gasohol), be sure its octane rating is at least as high as that recommended by the engine manufacturer. There are two types of “gasohol”: one containing ethanol, and the other containing methanol. Do not use gasohol that contains more than 10% ethanol. Do not use gasoline containing methanol (methyl or wood alcohol) that does not also contain co-solvents and corrosion inhibitors for methanol. Never use gasoline containing more than 5% methanol, even if it has co-solvents and corrosion inhibitors.

	<p>Fuel system damage or engine performance problems resulting from the use of fuels that contain alcohol is not covered under the warranty. The engine manufacturer cannot endorse the use of fuels containing methanol since evidence of their suitability is incomplete at this time.</p> <p>Before buying gasoline from an unfamiliar station, try to find out if the gasoline contains alcohol. If it does, confirm the type and percentage of alcohol used. If you notice any undesirable operating characteristics while using a gasoline that contains alcohol, or one that you think contains alcohol, switch to a gasoline that you know does not contain alcohol.</p>
---	--

## 2 MAIN AREAS OF APPLICATION



### 2.1 APPLICATION

The main area of application are thick layers of highly viscous coating material for large areas and a high consumption of material.

Priming and final coating of large areas, sealing, impregnation, construction sanitation, façade protection and renovation, rust protection and building protection, roof coating, roof sealing, concrete sanitation, as well as heavy corrosion protection.

#### EXAMPLES OF OBJECTS TO BE SPRAYED

Large-scale construction sites, cooling towers, bridges, sewage treatment plants and terraces.


	<p>DO NOT use this equipment to spray water or acid.</p>
	<p>Do not lift by cart handle when loading or unloading. Device is very heavy. Three-person lift is required.</p>

### 2.2 COATING MATERIALS

#### PROCESSIBLE COATING MATERIALS


Diluting lacquers and paints or those containing solvents, two-component coating materials, dispersion and latex paints.

No other materials should be used for spraying without Titan's approval.

	<p>Pay attention to the Airless quality of the coating materials to be processed.</p>
---	---

#### VISCOSITY

The unit is able to process coating materials with up to 50.000 / 65.000 mPas. If highly viscous coating materials cannot be taken in or the performance of the unit is too low, the paint must be diluted in accordance with the manufacturer's instructions.

	<p>Attention: Make sure, when stirring up with motor-driven agitators that no air bubbles are stirred in. Air bubbles disturb when spraying and can, in fact, lead to interruption of operation.</p>
---	--

#### COATING MATERIALS WITH ABRASIVE MATERIALS

These particles have a strong wear and tear effect on valves and tips, but also on the spray gun. This impairs the durability of these wearing parts considerably.

#### TWO-COMPONENT COATING MATERIAL

The appropriate processing time must be adhered to exactly. Within this time rinse through and clean the unit meticulously with the appropriate cleaning agents.

#### FILTERING

Sufficient filtering is required for fault-free operation. The unit is equipped with a suction filter, an insertion filter in the spray gun and a high pressure filter on the unit. Regular inspection of these filters for damage or soiling is urgently recommended.



### 3 DESCRIPTION OF UNIT

#### 3.1 AIRLESS PROCESS

A piston pump takes in the coating material by suction and conveys it to the tip. Pressed through the tip at a pressure of up to a maximum of 3300 PSI (228 bar, 22.8 MPa), the coating material is atomised. This high pressure has the effect of micro fine atomization of the coating material.

As no air is used in this process, it is described as an AIRLESS process.

This method of spraying has the advantages of finest atomization, cloudless operation and a smooth, bubble-free surface. As well as these, the advantages of the speed of work and convenience must be mentioned.

#### 3.2 FUNCTIONING OF THE UNIT

The following section contains a brief description of the technical construction for better understanding of the function of the unit.



This manual gives information for both electric motor and gasoline engine PowrBeast models.

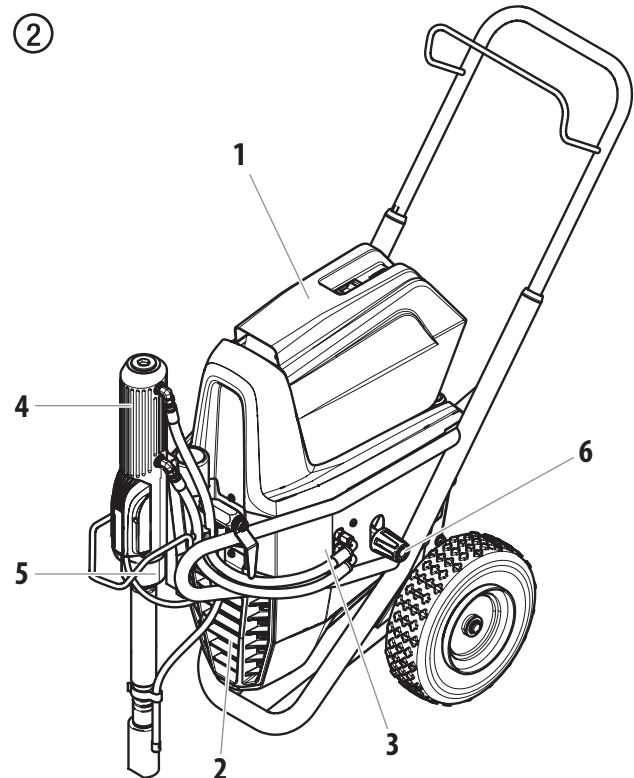
TITAN PowrBeast are high-pressure spraying units driven by either a gasoline engine or electric motor.

The gasoline engine or electric motor (fig. 1, item 1) drives the hydraulic pump (3) by means of a V-belt which is under the belt cover (2). Hydraulic oil flows to the hydraulic motor (4) and then moves the piston up and down in the material feed pump (5).



The inlet valve is opened automatically by the upwards movement of the piston. The outlet valve is opened when the piston moves downward.

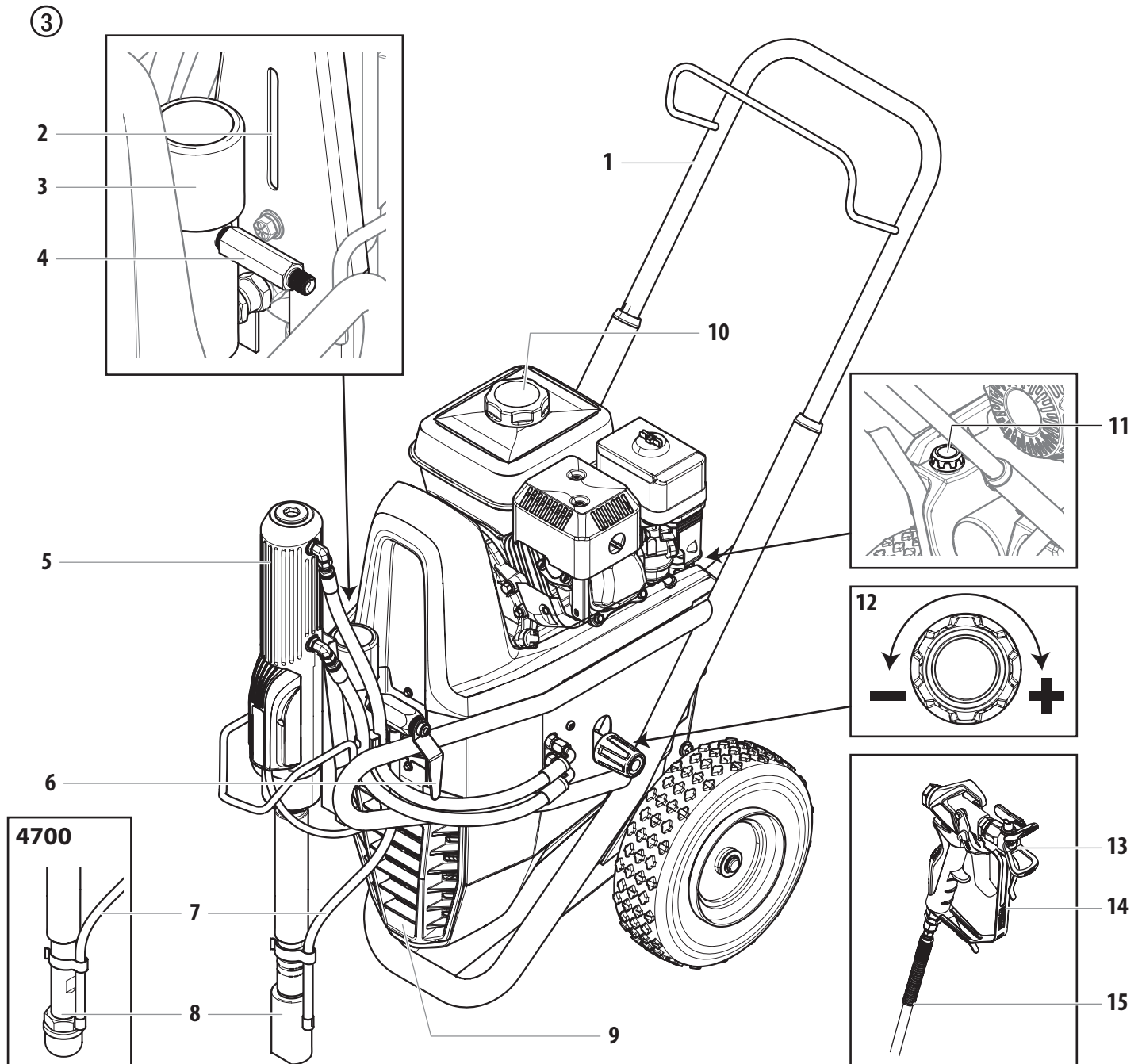
The coating material flows under high pressure through the high-pressure hose to the spray gun. When the coating material exits from the tip it atomizes.

The pressure control valve (6) controls the volume and the operating pressure of the coating material.




### 3.3 SYSTEM DIAGRAM - GASOLINE POWRBEAST UNITS

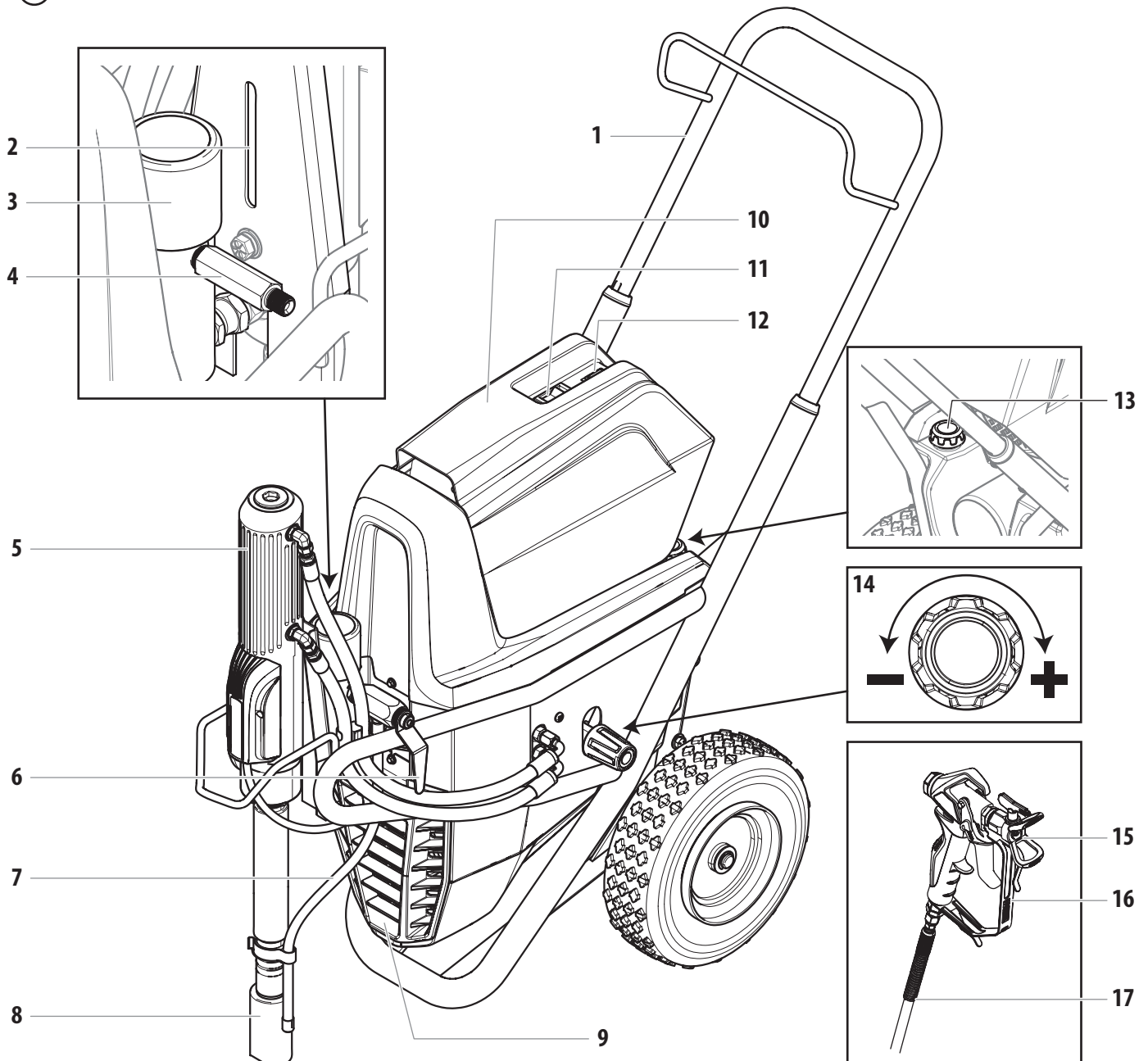
- |   |   |   |
|---|---|---|
| <ol style="list-style-type: none"> <li>1. Extractable handle</li> <li>2. Oil cup for separating oil (separating oil prevents increased wear and tear of the packings)</li> <li>3. High-pressure filter</li> <li>4. High-pressure hose outlet</li> <li>5. Hydraulic motor</li> </ol> | <ol style="list-style-type: none"> <li>6. Relief valve handle:<br/>Turn left for circulation <br/>Turn right for spray </li> <li>7. Bleed hose</li> <li>8. Suction tube</li> <li>9. V-belt under the belt cover</li> <li>10. Gasoline engine</li> </ol> | <ol style="list-style-type: none"> <li>11. Oil measuring stick</li> <li>12. Pressure control knob</li> <li>13. Tip guard with airless tip</li> <li>14. Spray gun</li> <li>15. High-pressure hose</li> </ol> |
|---|---|---|



### 3.4 SYSTEM DIAGRAM - ELECTRIC POWRBEAST UNITS

- |   |   |  |
|---|---|--|
| <ol style="list-style-type: none"> <li>1. Extractable handle</li> <li>2. Oil cup for separating oil (separating oil prevents increased wear and tear of the packings)</li> <li>3. High-pressure filter</li> <li>4. High-pressure hose outlet</li> <li>5. Hydraulic motor</li> </ol> | <ol style="list-style-type: none"> <li>6. Relief valve handle:<br/>Turn left for circulation </li> <li>7. Bleed hose</li> <li>8. Suction tube</li> <li>9. V-belt under the belt cover</li> <li>10. Electric motor</li> </ol> | <ol style="list-style-type: none"> <li>11. ON/OFF switch</li> <li>12. Control lamp that shows unit operational</li> <li>13. Oil measuring stick</li> <li>14. Pressure control knob</li> <li>15. Tip guard with airless tip</li> <li>16. Spray gun</li> <li>17. High-pressure hose</li> </ol> |
|---|---|--|

④



## 3.5 TECHNICAL DATA

	PowrBeast 4700T (120V)	PowrBeast 4700 (120V)	PowrBeast 4700 (gas)	PowrBeast 7700 (230V)	PowrBeast 7700 (gas)	PowrBeast 9700 (gas)
<b>Gasoline engine, power</b>	-----	-----	Honda GX160	-----	Honda GX200	Honda GX270
<b>Voltage</b>	~ 120V, 50/60 Hz	~ 120V, 50/60 Hz	-----	~ 230V, 50/60 Hz	-----	-----
<b>Capacity</b>	1.3 kW	1.3 kW	-----	3.1 kW	-----	-----
<b>Power Cord</b>	3 x 2.5 mm <sup>2</sup> – 6 m	3 x 2.5 mm <sup>2</sup> – 6 m	-----	3 x 2.5 mm <sup>2</sup> – 6 m	-----	-----
<b>Current Protection</b>	15 A	15 A	-----	15 A	-----	-----
<b>Max. operating pressure</b>	22.8 MPa (3300 psi)	22.8 MPa (3300 psi)	22.8 MPa (3300 psi)	22.8 MPa (3300 psi)	22.8 MPa (3300 psi)	22.8 MPa (3300 psi)
<b>Max. sound pressure level</b>	80 dB (A)*	80 dB (A)*	92 dB (A)*	80 dB (A)*	92 dB (A)*	98 dB (A)*
<b>Max. size of tip with a spray gun</b>						
1-gun	0.035" – 0.89 mm	0.035" – 0.89 mm	0.041" – 1.04 mm	0.043" – 1.09 mm	0.047" – 1.19 mm	0.055" – 1.40 mm
2-gun	0.023" – 0.58 mm	0.023" – 0.58 mm	0.029" – 0.73 mm	0.031" – 0.79 mm	0.033" – 0.84 mm	0.039" – 0.99 mm
3-gun	0.019" – 0.48 mm	0.019" – 0.48 mm	0.021" – 0.53 mm	0.023" – 0.58 mm	0.027" – 0.68 mm	0.031" – 0.79 mm
4-gun	-----	-----	0.019" – 0.48 mm	0.021" – 0.53 mm	0.023" – 0.58 mm	0.027" – 0.68 mm
<b>Max. volume flow</b>	1.25 gal (4.75 l)/min	1.25 gal (4.75 l)/min	1.60 gal (6.00 l)/min	1.60 gal (6.00 l)/min	2.00 gal (7.60 l)/min	3.00 gal (11.4 l)/min
<b>Weight</b>	187 lbs (85 kg)	181 lbs (82 kg)	173 lbs (78 kg)	187 lbs (85 kg)	179 lbs (81 kg)	199 lbs (90 kg)
<b>Suction system</b>	submersible	standard	standard	submersible	submersible	submersible
<b>Max. viscosity</b>	50.000 mPa·s			65.000 mPa·s		
<b>Dimensions L x W x H</b>	46" x 25" x 44" (117 x 64 x 112 cm)					
<b>Max. temperature of the coating material</b>	109°F (43°C)					
<b>Filter insert (standard equipment)</b>	-----	50 mesh, 18 in <sup>2</sup>	50 mesh, 18 in <sup>2</sup>	50 mesh, 18 in <sup>2</sup>	50 mesh, 18 in <sup>2</sup>	5 mesh, 18 in <sup>2</sup>
<b>Hydraulic oil filling quantity</b>	5.9 l (1.56 gal) CoolFlo					
<b>Max. tire pressure</b>	0.2 MPa (2 bar, 30 psi)					
<b>Special high-pressure hose</b>						
	DN 10 mm, 15 m (50' x 3/8"), connection thread NPSM 1/4	DN 6 mm, 15 m (50' x 1/4"), connection thread NPSM 1/4				

\* Place of measurement: 1 m distance from unit and 1.60 m above reverberant floor, 120 bar (12 MPa) operating pressure.

**OPERATING TEMPERATURE**

This equipment will operate correctly in its intended ambient, at a minimum between +50°F (10°C) and 104°F (+40°C).

**RELATIVE HUMIDITY**

The equipment will operate correctly within an environment at 50% RH, 104°F (+40°C). Higher RH may be allowed at lower temperatures.

Measures shall be taken by the Purchaser to avoid the harmful effects of occasional condensation.

**ALTITUDE**

This equipment will operate correctly up to 2100 m above mean sea level.

**TRANSPORTATION AND STORAGE**

This equipment will withstand, or has been protected against, transportation and storage temperatures of -13°F (-25°C) to 131°F (+55°C) and for short periods up to 150°F (+70°C).

It has been packaged to prevent damage from the effects of normal humidity, vibration and shock.

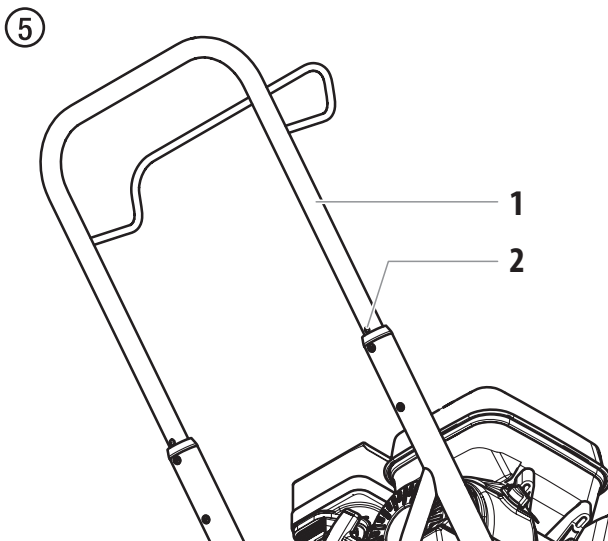
**3.6 TRANSPORTATION**

**TRANSPORTATION IN VEHICLE**

Secure the unit with a suitable fastening.

**PUSHING OR PULLING THE UNIT**

Pull out the handle (Fig. 5, Item 1) until it will come no further. Insert the handle – push the buttons (2) on the cart, and then push in the handle.



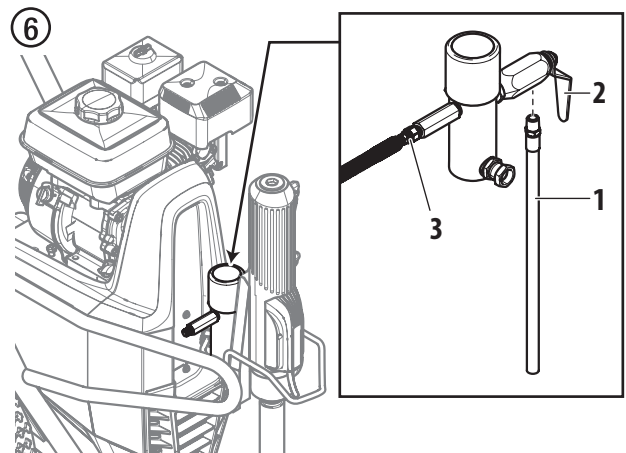
**4 OPERATION**



This equipment produces a fluid stream at extremely high pressure. Read and understand the warnings in the Safety Precautions section at the front of this manual before operating this equipment.

**4.1 SETUP**

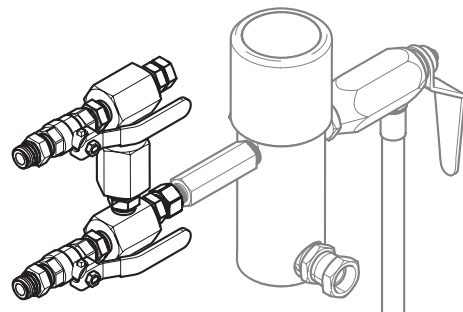
1. Make sure the bleed hose (Fig. 6, item 1) is threaded into the bleed valve (2). It has factory installed PTFE tape on the fitting and should be tightened wrench tight.
2. Attach a minimum of 50' (15 m) of nylon airless spray hose (3) to the sprayer. Do not use PTFE tape or thread sealant on the spray hose connection.



3. Attach an airless spray gun to the spray hose. Do not attach the tip to the spray gun yet. Remove the tip if it is already attached.



For multiple gun operation, connect a multiple gun manifold to the single gun outlet. Connect a hose and gun to each outlet. Make sure the second gun outlet remains plugged. See "Technical Data", Section 3.5 to determine number of guns and maximum spray tip sizes.

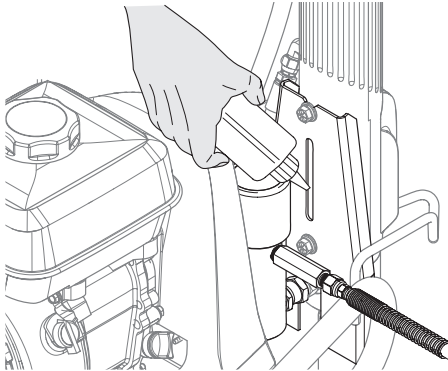


4. Fill the oil cup 1/2 full with Piston Lube (P/N 314-480). This extends packing life.



Piston Lube prevents increased wear and tear to the packings.

⑧



5. Check the hydraulic fluid level daily before starting the sprayer. The hydraulic fluid level should be touching the bottom of the dipstick. Refer to the Maintenance section of this manual for hydraulic system maintenance instructions.



Use of Titan's Coolflo™ Hydraulic Fluid (P/N 430-361) is mandatory in the hydraulic system. Do not use any other hydraulic fluid. Use of any other hydraulic fluid may seriously damage the hydraulic system and will void the warranty.

6. For gas models, check the engine oil level daily before starting the sprayer. The gasoline engine oil level is determined by the engine manufacturer. Refer to the engine manufacturer's service manual supplied with this sprayer.
7. For electric models, use a 15 amp service outlet. Always locate the electric model within 10 to 15 feet of the service outlet. Use a short electric cable and a long paint hose. Any extension cord will create some voltage drop. If an extension cord is necessary, use only a grounded 3-wire 12-gauge extension cord.
8. Make sure the sprayer is grounded/earthed. All sprayers are equipped with a grounding/earthing lug. A grounding/earthing cable should be used to connect the sprayer to a true earth ground. Check your local electrical regulations for detailed grounding/earthing instructions.



Proper grounding/earthing is important. The passage of some materials through the nylon fluid hose will build up a static electric charge, which if discharged, could ignite solvent vapors present and create an explosion.

9. Strain all paints with a nylon strainer to ensure trouble free operation and freedom from frequent cleaning of the suction filter and gun filter.
10. Make sure the spray area is well ventilated to prevent hazardous operation with volatile solvents or exhaust fumes.



If lacquer or other flammable materials are to be sprayed, ALWAYS locate the sprayer outside the immediate spraying area. Failure to do so may cause an explosion.

11. Locate the sprayer outside the immediate spraying area to avoid clogged air intake of the engine with overspray.

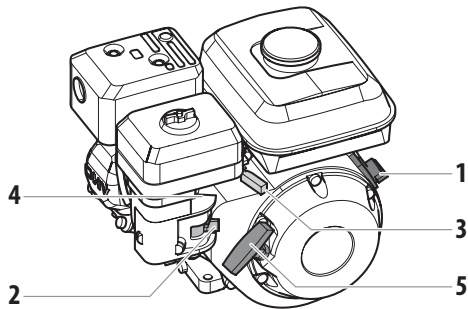
## 4.2 STARTING THE ENGINE (GAS MODELS)



Follow these instructions whenever prompted in this manual to start the engine.

1. Move the fuel valve lever (Fig. 9, item 2) to the open position.
2. Move the throttle lever (3) to its middle point.
3. Move the choke lever (4) to the closed position for a cold engine or to the open position for a warm engine.
4. Turn the engine switch (1) to the ON position.
5. Pull the starter rope (5) briskly until the engine starts.

⑨



If choke lever (4) was moved to closed position to start the engine, it must be opened again once the engine is running.

## 4.3 PREPARING A NEW SPRAYER



If this unit is new, it is shipped with test fluid in the fluid section to prevent corrosion during shipment and storage. This fluid must be thoroughly cleaned out of the system with mineral spirits before you begin spraying.

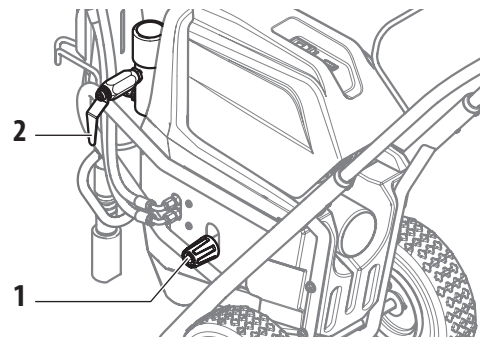


Attention

Always keep the trigger lock on the spray gun in the locked position while preparing the system. Refer to the spray gun instruction manual for trigger lock instructions.

1. Place the siphon tube into a container of mineral spirits.
2. Place the bleed hose into a metal waste container.
3. Turn the pressure control knob fully counterclockwise to its lowest pressure setting (Fig. 10, item 1).
4. Open the bleed valve (2) by turning it fully counterclockwise.

⑩



5. Start the engine or turn on the electric motor:
  - a. To start the gas engine, follow the steps in section 4.2
  - b. To start the electric motor, push and hold the ON/OFF switch in the ON position until the electric motor is at full speed, then release the switch.
6. Turn the pressure control knob (fig. 10, item 1) clockwise approximately 1/3 of the way to increase pressure until the sprayer cycles evenly and solvent flows freely from the bleed hose.
7. Allow the sprayer to run for 15–30 seconds to flush the test fluid out through the bleed hose and into the waste container.
8. Turn off the sprayer.
  - a. To turn off the gas engine,
    - set the pressure to minimum by turning the pressure control knob fully counterclockwise,
    - move the throttle lever to the slow position, and
    - turn the engine switch to the OFF position.
  - b. To turn off the electric motor,
    - set the pressure to minimum by turning the pressure control knob fully counterclockwise,
    - move the ON/OFF switch to the OFF position.

## 4.4 PREPARING TO PAINT



Before painting, it is important to make sure that the fluid in the system is compatible with the paint that is going to be used.

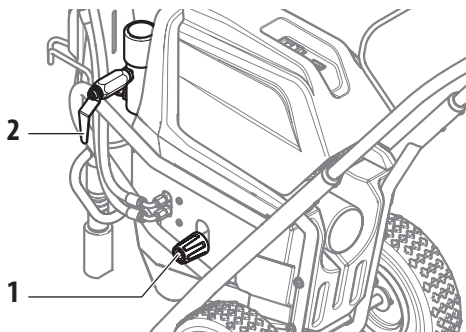
Incompatible fluids and paint may cause the valves to become stuck closed, which would require disassembly and cleaning of the sprayer's fluid section.



Always keep the trigger lock on the spray gun in the locked position while preparing the system. Refer to the spray gun instruction manual for trigger lock instructions.

1. Place the siphon tube into a container of mineral spirits.
2. Place the bleed hose into a metal waste container.
3. Turn the pressure control knob fully counterclockwise to its lowest pressure setting (Fig. 10, item 1).
4. Open the bleed valve (2) by turning it fully counterclockwise.

⑩



5. Start the engine or turn on the electric motor:
  - a. To start the gas engine, follow the steps in section 4.2
  - b. To start the electric motor, push and hold the ON/OFF switch in the ON position until the electric motor is at full speed, then release the switch.
6. Turn the pressure control knob (Fig. 10, item 1) clockwise approximately 1/3 of the way to increase pressure until the sprayer cycles evenly and solvent flows freely from the bleed hose.
7. Allow the sprayer to run for 15–30 seconds to flush the test fluid out through the bleed hose and into the waste container.
8. Turn off the sprayer.
  - a. To turn off the gas engine,
    - set the pressure to minimum by turning the pressure control knob fully counterclockwise,
    - move the throttle lever to the slow position, and
    - turn the engine switch to the OFF position.
  - b. To turn off the electric motor,
    - set the pressure to minimum by turning the pressure control knob fully counterclockwise,
    - move the ON/OFF switch to the OFF position.



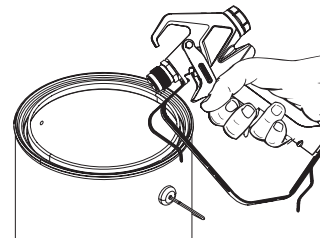
Make sure that the spray gun does not have a tip or tip guard installed.

9. Close the bleed valve by turning it fully clockwise.
10. Start the engine or turn on the electric motor.
11. Turn the pressure control knob clockwise approximately 1/3 of the way down to increase pressure.
12. Unlock the gun by turning the gun trigger lock to the unlocked position.



Ground/Earth the gun by holding it against the edge of the metal container while flushing. Failure to do so may lead to a static electric discharge, which may cause a fire.

⑪



13. Trigger the gun into the metal waste container until the old solvent is gone and fresh solvent is coming out of the gun.
14. Lock the gun by turning the gun trigger lock to the locked position (refer to spray gun manual).
15. Set down the gun and increase the pressure by turning the pressure control knob slowly clockwise to its highest setting.
16. Check the entire system for leaks. If leaks occur, turn the sprayer off and follow the "Pressure Relief Procedure" in this manual before tightening any fittings or hoses.
17. Follow the "Pressure Relief Procedure" (section 4.6) in this manual before changing from solvent to paint.



Be sure to follow the Pressure Relief Procedure when shutting the unit down for any purpose, including servicing or adjusting any part of the spray system, changing or cleaning spray nozzles, or preparing for cleanup.



## 4.5 PAINTING

1. Place the siphon hose into a container of paint.
2. Place the bleed hose into a metal waste container.
3. Turn the pressure control knob fully counterclockwise to its lowest pressure setting (Fig. 10, item 1).
4. Open the bleed valve (2) by turning it fully counterclockwise.
5. Start the engine or turn on the electric motor:
  - a. To start the gas engine, follow the steps in section 4.2
  - b. To start the electric motor, push and hold the ON/OFF switch in the ON position until the electric motor is at full speed, then release the switch.
6. Turn the pressure control knob (Fig. 10, item 1) clockwise approximately 1/3 of the way down to increase pressure until the sprayer cycles evenly and solvent flows freely from the bleed hose.
7. Turn off the sprayer.
  - a. To turn off the gas engine,
    - set the pressure to minimum by turning the pressure control knob fully counterclockwise,
    - move the throttle lever to the slow position, and
    - turn the engine switch to the OFF position.
  - b. To turn off the electric motor,
    - set the pressure to minimum by turning the pressure control knob fully counterclockwise,
    - move the ON/OFF switch to the OFF position.
8. Remove the bleed hose from the waste container and place it into the container of paint.
9. Close the bleed valve by turning it fully clockwise.
10. Start the engine or turn on the electric motor.
11. Turn the pressure control knob clockwise approximately 1/3 of the way down to increase pressure.
12. Unlock the gun by turning the gun trigger lock to the unlocked position.



Ground/Earth the gun by holding it against the edge of the metal container while flushing. Failure to do so may lead to a static electric discharge, which may cause a fire.

13. Trigger the gun into the metal waste container until all air and solvent is flushed from the spray hose and paint is flowing freely from the gun.
14. Lock the gun by turning the gun trigger lock to the locked position.
15. Turn off the sprayer.
16. Attach tip guard and tip to the gun as instructed by the tip guard or tip manuals.



**POSSIBLE INJECTION HAZARD.** Do not spray without the tip guard in place. Never trigger the gun unless the tip is in either the spray or the unclog position. Always engage the gun trigger lock before removing, replacing or cleaning tip.

17. Start the engine or turn on the electric motor.
18. Increase the pressure by turning the pressure control knob slowly clockwise and test the spray pattern on a piece of cardboard. Adjust the pressure control knob until the spray from the gun is completely atomized.



Turning the pressure up higher than needed to atomize the paint will cause premature tip wear and additional overspray.

## 4.6 PRESSURE RELIEF PROCEDURE



Be sure to follow the Pressure Relief Procedure when shutting the unit down for any purpose, including servicing or adjusting any part of the spray system, changing or cleaning spray nozzles, or preparing for cleanup.

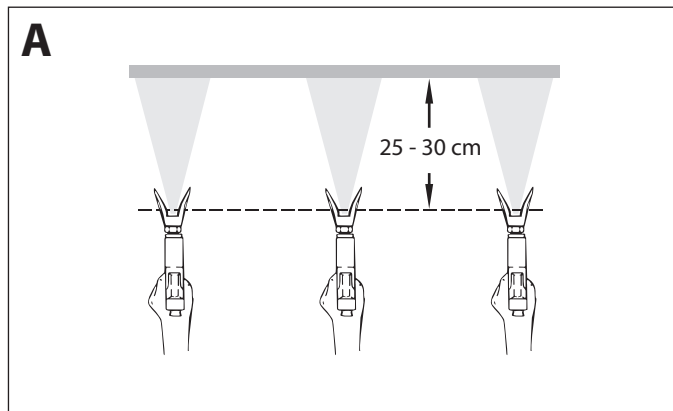
1. Lock the spray gun by turning the gun trigger lock to the locked position.
2. Turn off the sprayer.
  - a. To turn off the gas engine,
    - set the pressure to minimum by turning the pressure control knob fully counterclockwise,
    - move the throttle lever to the slow position, and
    - turn the engine switch to the OFF position.
  - b. To turn off the electric motor,
    - set the pressure to minimum by turning the pressure control knob fully counterclockwise,
    - move the ON/OFF switch to the OFF position.
3. Unlock the gun by turning the gun trigger lock to the unlocked position (refer to spray gun manual).
4. Hold the metal part of the gun firmly to the side of a metal waste container to ground/earth the gun and avoid a build up of static electricity.
5. Trigger the gun to remove any pressure that may still be in the hose.
6. Lock the gun by turning the gun trigger lock to the locked position (refer to spray gun manual).
7. Place the bleed hose into the metal waste container.
8. Open the bleed valve by turning it fully counterclockwise.

## 5 SPRAYING

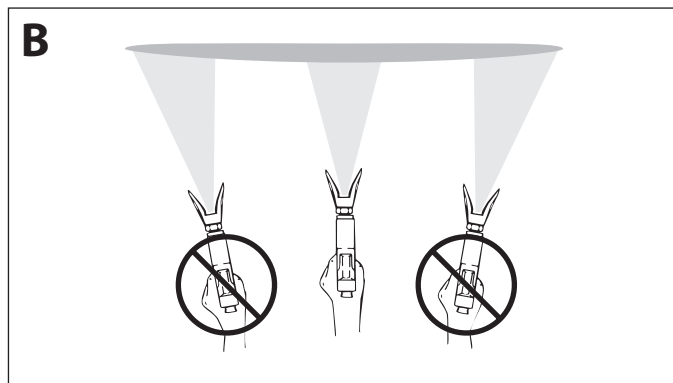


Injection hazard. Do not spray without the tip guard in place. NEVER trigger the gun unless the tip is completely turned to either the spray or the unclog position. ALWAYS engage the gun trigger lock before removing, replacing or cleaning tip.

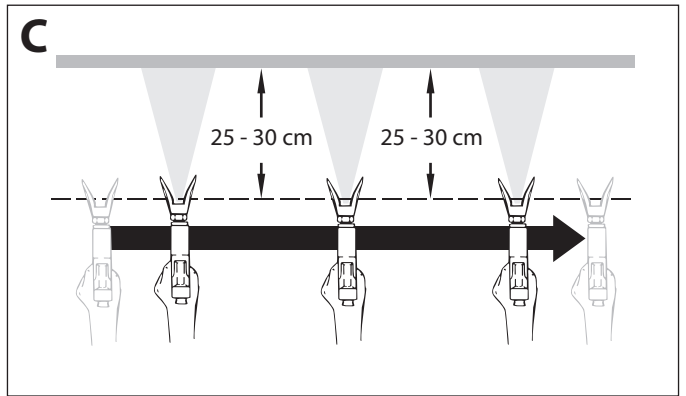
- A) The key to a good paint job is an even coating over the entire surface. Keep your arm moving at a constant speed and keep the spray gun at a constant distance from the surface. The best spraying distance is 10-12 inches (25 to 30 cm) between the spray tip and the surface.



- B) Keep the spray gun at right angles to the surface. This means moving your entire arm back and forth rather than just flexing your wrist. Keep the spray gun perpendicular to the surface, otherwise one end of the pattern will be thicker than the other.



- C) Trigger gun after starting the stroke. Release the trigger before ending the stroke. The spray gun should be moving when the trigger is pulled and released. Overlap each stroke by about 30%. This will ensure an even coating.





If very sharp edges result or if there are streaks in the spray jet – increase the operating pressure or dilute the coating material.

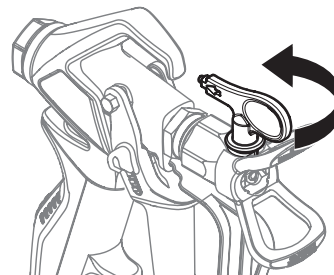
### 5.1 CLEANING A CLOGGED TIP



If the spray pattern becomes distorted or stops completely while pulling the trigger, perform the steps below.

1. Turn the relief valve to PRIME (  circulation).
2. If the tip clogs, rotate the tip handle 180° until the arrow on the handle is facing the opposite of the spray direction and the handle clicks in the reverse position (Fig. 12).
3. Turn the relief valve to SPRAY (  spray).

12





4. Trigger the gun once so that the pressure can blow the clog out. NEVER use the tip in the reverse position for more than ONE trigger pull at a time. This procedure can be repeated until the tip is free of clogging.





The flow from the spray tip is at very high pressure. Contact with any body part may be dangerous. Do not place finger on gun outlet. Do not point the gun at any person. Never operate the spray gun without the proper tip guard.



## 5.2 INTERRUPTION OF WORK

	Follow these steps if stopping work for up to 20 hours. Only follow these steps if you used latex - or water-based spray materials.
	If you are just simply swapping out material containers, turn the pressure control knob fully counterclockwise to minimum prior to changing the material container.  Turn pressure control knob clockwise to previous position when ready to resume spraying.

1. Follow the "Pressure Relief Procedure" found in the Operation section of this manual, section 4.6.
2. Place the spray gun in a plastic bag, or drop it into a bucket of water.
3. Leave the suction tube and return hose immersed in the coating material or immerse it into a corresponding cleaning agent.
4. Cover the coating material with plastic and place unit in a cool, shaded spot to keep material from drying out.

 <b>Attention</b>	If fast-drying or two-component coating material is used, ensure that the unit is rinsed with a suitable cleaning agent within the processing time.
	When ready to being spraying again, remove the plastic from the material container and restart the sprayer by following the steps in section 4.5.

## 5.3 HANDLING THE HIGH-PRESSURE HOSE




	The unit is equipped with a high-pressure hose specially suited for airless pumps.
	Danger of injury through leaking high-pressure hose. Replace any damaged high-pressure hose immediately.  Never repair damaged high-pressure hoses yourself!

The high-pressure hose is to be handled with care. Avoid sharp bends and folds: the smallest bending radius is about 8" (20 cm).



Do not drive over the high-pressure hose. Protect against sharp objects and edges.

Never pull on the high-pressure hose to move the device.

Make sure that the high-pressure hose cannot twist. This can be avoided by using a Titan spray gun with a swivel joint and hose system.

	When using the high-pressure hose while working on scaffolding, it is best to always guide the hose along the outside of the scaffolding.
	The risk of damage rises with the age of the high-pressure hose. Titan recommends replacing high-pressure hoses after 6 years.
	Use only Titan original-high-pressure hoses in order to ensure functionality, safety and durability.

## 6 CLEANUP


 <b>Attention</b>	<p>The sprayer, hose, and gun should be cleaned thoroughly after daily use. Failure to do so permits material to build up, seriously affecting the performance of the unit.</p>
	<p>Always spray at minimum pressure with the gun nozzle tip removed when using mineral spirits or any other solvent to clean the sprayer, hose, or gun. Static electricity buildup may result in a fire or explosion in the presence of flammable vapors.</p>

### 6.1 SPECIAL CLEANUP INSTRUCTIONS FOR USE WITH FLAMMABLE SOLVENTS

- Always flush spray gun preferably outside and at least one hose length from spray pump.
- If collecting flushed solvents in a one gallon metal container, place it into an empty five gallon container, then flush solvents.
- Area must be free of flammable vapors.
- Follow all cleanup instructions.


### 6.2 CLEANING THE SPRAYER

1. Follow the "Pressure Relief Procedure" found in the Operation section of this manual, section 4.6.
2. Remove the gun tip and tip guard and clean with a brush using the appropriate solvent.
3. Place the siphon tube into a container of the appropriate solvent.


 <b>Attention</b>	<p>Use only compatible solvents when cleaning out oil based enamels, lacquers, coal tar, and epoxies. Check with the fluid manufacturer for the recommended solvent.</p>
---	--

4. Place the bleed hose into a metal waste container.
5. Set the pressure to minimum by turning the pressure control knob fully counterclockwise.
6. Open the bleed valve by rotating the bleed valve handle fully counterclockwise.
7. Start the engine or turn on the electric motor.
8. Allow the solvent to circulate through the sprayer and flush the paint out of the bleed hose into the metal waste container.
9. Switch the unit OFF (turn the engine switch OFF).
10. Close the bleed valve by rotating the bleed valve handle fully clockwise.


11. Start the engine or turn on the electric motor.

	<p>Earth the gun by holding it against the edge of the metal container while flushing. Failure to do so may lead to a static electric discharge, which may cause a fire.</p>
---	--



12. Trigger the gun into the metal waste container until the paint is flushed out of the hose and solvent is coming out of the gun.
13. Continue to trigger the spray gun into the waste container until the solvent coming out of the gun is clean.

	<p>For long-term, cold weather storage, or any freezing temperature exposure pump mineral spirits through the entire system.</p> <p>For short-term storage not exposed to freezing temperatures when using latex paint, pump water mixed with Titan Liquid Shield through the entire system (see Accessories section of this manual for part number and product label for dilution instructions).</p>
---	---

14. Follow the "Pressure Relief Procedure" found in the Operation section of this manual.
15. Store the sprayer in a clean, dry area.

 <b>Attention</b>	<p>Do not store the sprayer under pressure.</p>
---	---

### 6.3 CLEANING THE OUTSIDE OF THE UNIT

	<p>Electric models - Make sure the power cord is unplugged to prevent electric shock.</p>
 <b>Attention</b>	<p>Danger of short circuit through penetrating water!</p> <p>Never spray down the unit with high-pressure water or high-pressure steam cleaners.</p> <p>Do not put the high-pressure hose into solvents. Use only a wet cloth to wipe down the outside of the hose.</p>

Wipe down unit externally with a cloth which has been immersed in a suitable cleaning agent.

## 6.4 CLEANING THE FILTER SCREEN

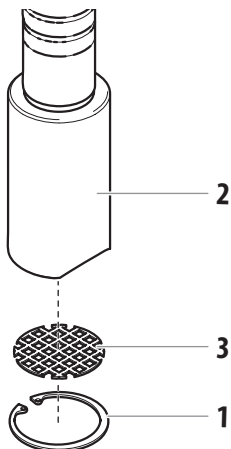


A clean filter screen always guarantees maximum feed quantity, constant spraying pressure and problem-free functioning of the unit.

### SUBMERSIBLE SUCTION SYSTEM

1. The filter screen will clog and must be cleaned at least once a day.
2. Remove the retaining ring (Fig. 13, item 1) from the foot valve housing (2).
3. Remove the inlet screen (3) from the foot valve housing (2).
4. Clean thoroughly with the appropriate solvent.

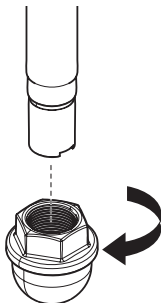
13



### STANDARD SUCTION SYSTEM

1. Screw off the filter (Fig. 14) from suction tube.
  2. Clean or replace the filter.
- Carry out cleaning with a hard brush and an appropriate cleaning agent.

14



## 6.5 CLEANING AIRLESS SPRAY GUN



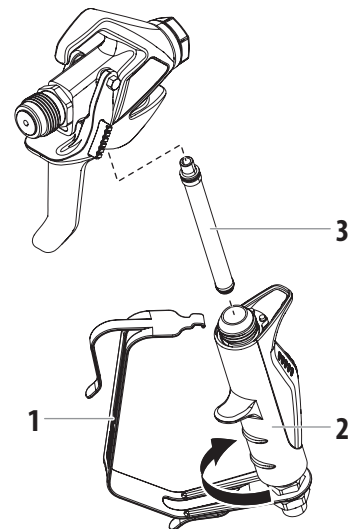
Clean the spray gun after each use.

1. Rinse airless spray gun with an appropriate cleaning agent.
2. Clean tip thoroughly with appropriate cleaning agent so that no coating material residue remains.
3. Thoroughly clean the outside of the airless spray gun.

### INTAKE FILTER IN AIRLESS SPRAY GUN (FIG. 15)

1. Unclip the top of the trigger guard (1) from the gun head.
2. Using the bottom of the trigger guard as a wrench, loosen and remove the handle assembly (2) from the gun head.
3. Pull the old filter (3) out of the gun head. Clean or replace.
4. Slide the new filter, tapered end first, into the gun head.
5. Thread the handle assembly into the gun head. Tighten with the trigger wrench.
6. Snap the trigger guard back onto the gun head.

15



## 7 MAINTENANCE



Before proceeding, follow the Pressure Relief Procedure outlined previously in this manual. Additionally, follow all other warnings to reduce the risk of an injection injury, injury from moving parts or electric shock. Always unplug the sprayer before servicing!

### 7.1 DAILY MAINTENANCE

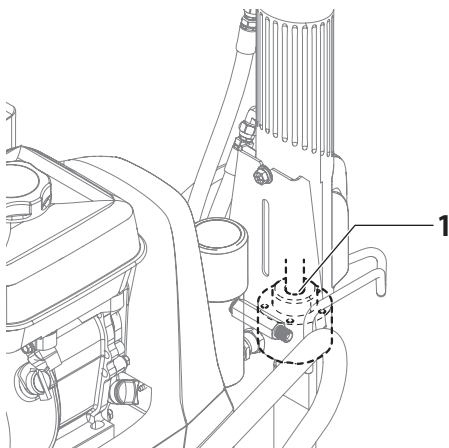
Two daily procedures are required for routine operator maintenance on this sprayer:

- A. Lubricating the upper packings (section 7.2).
- B. Cleaning the filter screen (section 6.4).

### 7.2 LUBRICATING THE UPPER PACKINGS

1. Clean out the paint that has seeped past the upper packings into the packing oil reservoir (fig. 16, item 1) above the fluid section.
2. Fill the packing oil reservoir 1/2 full with Piston Lube (P/N 314-480) supplied by the factory. This will extend packing life.

16



Do not over-fill the reservoir so that it overflows and drips into the paint.

### 7.3 MAINTAINING THE FILTER ASSEMBLY



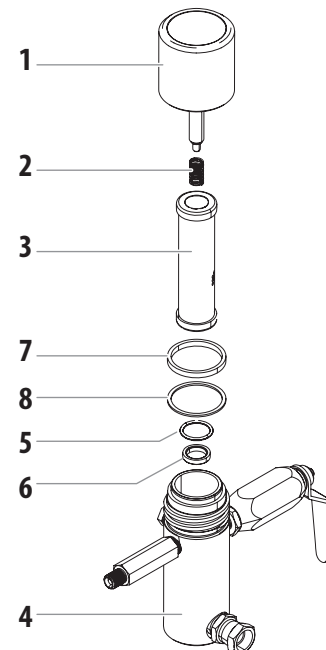
Clean the filter regularly. Dirty or clogged filters can greatly reduce filtering ability and cause a number of system problems including poor spray patterns, clogged spray tips, etc.

#### CLEANING (FIG. 17)

To clean the filter, perform the following procedure.

1. Follow the "Pressure Relief Procedure" found in the Operation section of this manual.
2. Remove the filter cap assembly (1) and spring (2).
3. Pull the filter element with ball straight (3) out of the filter body (4).
4. Clean inside the filter body, filter element with ball, and filter cap assembly using the appropriate solvent.

17



Use care in handling parts as dirt, debris, scratches, or nicks may prevent o-rings or gaskets from sealing.

This filter element filters from the inside out. Be sure to clean the filter element thoroughly on the inside. Soak in solvent to loosen hardened paint or replace.

**INSPECTION (FIG. 17)**

Inspect all parts of the filter assembly before reassembly.

1. Inspect the ball inside the filter element. If the ball has pressure cuts or scratches, replace the filter element.
  - a. If the ball is cut, remove the PTFE o-ring (5) using an o-ring pick and remove the carbide seat (6).
  - b. Check the seat for nicks or grooves. If the seat is damaged, replace.

<b>i</b>	Removal of the PTFE o-ring will damage the o-ring and require replacement.
----------	--

2. Remove the spring (2) from the spring guide on the filter cap.
  - a. Measure the length of the spring uncompressed. If it measures less than 3/4" from end to end, replace.
  - b. Push the spring back onto the spring guide until it "snaps" back into position.
3. Inspect the two PTFE gaskets (7,8) and the PTFE o-ring (5) for deformity, nicks, or cuts. Replace, if needed.

<b>i</b>	The PTFE gaskets, PTFE o-ring, and spring are packaged in Filter Service Kit P/N 930-050.
----------	---

**REASSEMBLY (FIG. 17)**

After cleaning and inspecting all parts, reassemble the filter.

1. Place the carbide seat (6) into the filter body (4). Make sure the beveled side of the seat is facing up.
2. Place the PTFE o-ring (5) into the groove on the outer diameter of the carbide seat (6).
3. Place the filter element with ball (3) into the filter body (4).

<b>i</b>	The top and bottom of the filter element with ball are identical.
----------	---

4. Push the spring (2) back onto the spring guide of the filter cap (1) until it "snaps" back into position, if not already done.
5. Place the thin PTFE gasket (8) onto the step at the top of the filter body (4).
6. Place the thick PTFE gasket (7) onto the top of the thin gasket (8).
7. Tighten the filter cap assembly (1) onto the filter body (4).

**7.4 MAINTAINING THE HYDRAULIC SYSTEM**



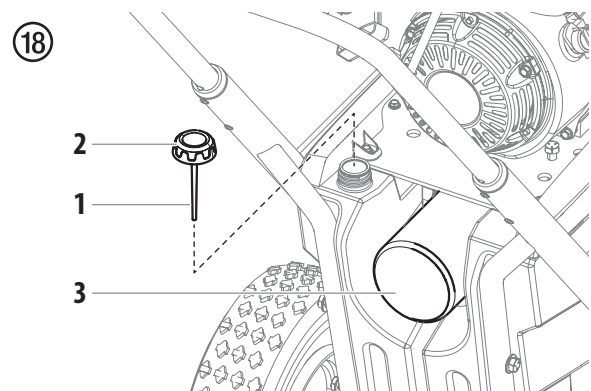
**Attention**

Use of Titan's Coolflo™ Hydraulic Fluid is mandatory in the PowrBeast hydraulic system. Do not use any other hydraulic fluid. Use of any other hydraulic fluid may seriously damage the hydraulic system and will void the warranty.

1. Check the hydraulic fluid daily. The hydraulic fluid level should be touching the bottom of the dipstick (1). If it is dry, add only Titan Coolflo™ Hydraulic Fluid (P/N 430-361). Never add or change hydraulic fluid except in a clean, dust-free area. Contamination of the hydraulic fluid will shorten hydraulic pump life and may void warranty.



Make sure the unit is on a flat, level surface when checking the hydraulic fluid level.



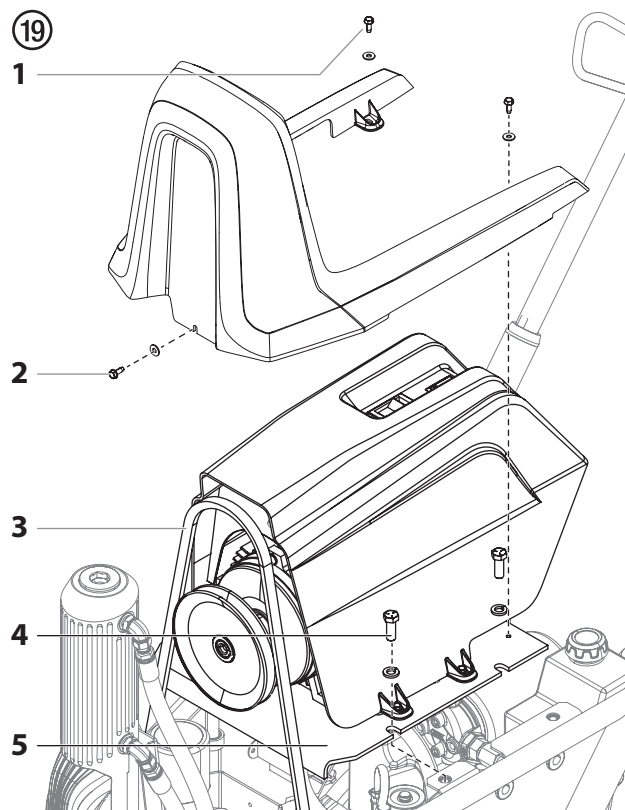
**CHANGING THE HYDRAULIC FLUID**

<b>i</b>	Change the hydraulic fluid every twelve months. In order to properly change the fluid, the motor/engine assembly must be removed. Follow the steps below:
----------	---

1. Put a small container (enough to hold 6.25 quarts) directly underneath the hydraulic tank drain plug.
2. Using a wrench, remove the drain plug from the hydraulic tank. Allow the hydraulic fluid to fully drain from the tank. Replace the drain plug.
3. Remove the two screws (Fig. 19, item 1) and washers located at the rear of the front shroud. Loosen the screw and washer (2) located at the front of the front shroud. Remove the front shroud.
4. The motor/engine belt (3) will now be exposed. Remove the motor/engine belt from the top pulley.
5. Loosen and remove the four motor plate bolts and washers (4) that secure the motor/engine assembly to the frame.
6. Gently lift the motor plate (with motor/engine still attached) approximately 2-3 inches, and slide it over to the left side (as looking at the rear of the unit) to expose the breather plug (1/4" NPT) on top of the hydraulic tank. Rest the motor plate on the frame for the next step.
7. Unthread the breather plug from the hydraulic tank.
8. Fill the hydraulic tank with new hydraulic oil until the oil touches the bottom 1/8" (3 mm) of the dipstick.
9. Apply PTFE tape to the 1/4" NPT breather plug and reinstall to the tank.
10. Slide the motor plate back into place, being careful not to pinch or catch the PCB wire. Secure into place with the four bolts. Torque the bolts to 250 in.lbs.
11. Replace the lower shroud and the front shroud.
12. Start the sprayer at just enough pressure to operate the fluid section. Run the sprayer at this low pressure for at least 5 minutes. This removes air from the system. Check the fluid level after this procedure. Do not over-fill.

<b>i</b>	When replacing the hydraulic filter (fig. 18, item 3) during a fluid change, it may be necessary to add up to one additional quart of hydraulic fluid.
----------	--

13. The hydraulic system has an external, replaceable hydraulic filter. Change the filter every twelve months.
14. The hydraulic pump should not be serviced in the field. If service on the hydraulic pump is required, it must be returned to an authorized Titan Service Center.



**7.5 MAINTAINING THE FLUID SECTION**



If the sprayer is going to be out of service for an extended period of time, it is recommended that following cleanup, a kerosene and oil mixture be introduced as a preservative. Packings may tend to dry out from lack of use. This is particularly true of the upper packing set for which upper packing lubricant Piston Lube (P/N 314-480) is recommended in normal usage.

If the sprayer has been out of service for an extended period of time, it may be necessary to prime the pump with solvent. It is extremely important that the threads on the siphon hose coupling are properly sealed. Any air leakage will produce erratic operation of the sprayer and may damage the system. The up and the down strokes should be approximately equal in time (one should not be faster than the other). A fast up or down stroke may indicate air in the system or malfunctioning valve or seats (see the Troubleshooting section).



## 7.6 HIGH-PRESSURE HOSE

Inspect the high-pressure hose visually for any notches or bulges, in particular at the transition in the fittings. It must be possible to turn the union nuts freely. A conductivity of less than 1 MΩ must exist across the entire length.


 <p><b>Attention</b></p>	<p>Have all the electric tests carried by an Authorized Titan Service Center.</p>
	<p>The risk of damage rises with the age of the high-pressure hose. Titan recommends replacing high-pressure hoses after 6 years.</p>

## 7.7 BASIC ENGINE MAINTENANCE (GAS ENGINE)

- For detailed engine maintenance and technical specifications refer to the separate gasoline engine manual.
- All service to the engine should be performed by a dealer authorized by the engine manufacturer.
- Use a premium quality motor oil. 10W30 is recommended for general all temperature use. Other viscosities may be required in other climates.
  - Use only a (NGK) BP6ES or BPR6E spark plug. Gap the plug to 0.028 to 0.031 In. (0.7 to 0.8 mm) Always use a spark plug wrench.

### DAILY

1. Check engine oil level, and fill as necessary.
2. Check gasoline level, and fill as necessary.

	<p>Always follow the fueling procedure outlined earlier in this manual.</p>
---	---

### FIRST 20 HOURS

- Change engine oil.

### EVERY 100 HOURS

- Change engine oil.
- Clean the sediment cup.
- Clean and re-gap the spark plug.
- Clean the spark arrestor.



### WEEKLY

- Remove the air filter cover and clean the element. In very dusty environments, check the filter daily. Replace the element as needed. Replacement elements can be purchased from your local engine manufacturer dealer.

### ENGINE OPERATION AND SERVICE

- Clean and oil air filter pad on gasoline engine every 25 hours or once weekly. Do not permit the air intake screen around the fly wheel of the gas engine to load up with paint or trash. Clean it regularly. The service life and efficiency of the gas engine model depends upon keeping the gasoline engine running properly. Change the oil in the engine every 100 hours. Failure to observe this may result in engine overheating. Consult the engine manufacturer's service manual provided.
- To conserve fuel, service life, and efficiency of the sprayer, always operate the gasoline engine at the lowest RPM at which it runs smoothly without laboring and delivers the amount required for the particular painting operation. Higher RPM does not produce higher working pressure. The gasoline engine is connected to the hydraulic pump by a pulley combination designed to produce full paint delivery at maximum RPM.
- The warranty on gasoline engines or electric motors is limited to the original manufacturer.

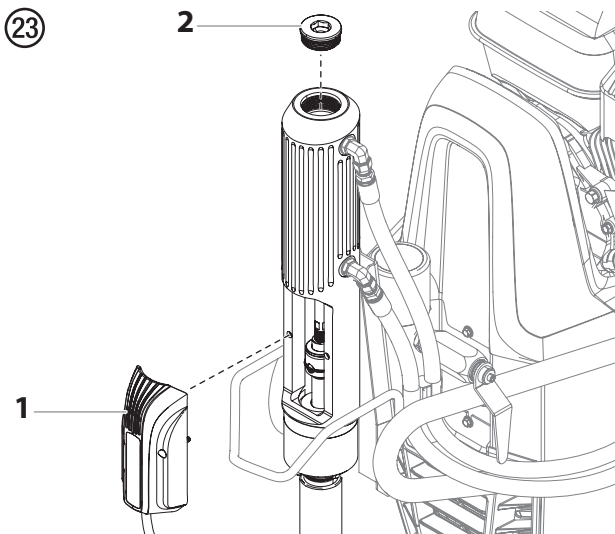
### 7.8 SERVICING THE HYDRAULIC MOTOR

 <p><b>Attention</b></p>	<p>Servicing of the hydraulic motor should be carried out in a clean, dust free area only. Any dust or metallic particles left in the motor or entering it on reassembly may damage the critical parts and affect its service life and warranty. All parts should be inspected for absolute cleanliness.</p>
	<p>In order to service the hydraulic motor, it is recommended that the piston be set in the middle of its stroke. Follow the steps below.</p>


1. Turn the pressure control knob all the way counterclockwise to the lowest setting.
2. With the fluid section submersed in a bucket of water, start the engine or turn on the electric motor.
3. Turn the pressure control knob clockwise 1-2 full turns.
4. Once the pump is primed, turn the relief valve to SPRAY.
5. While watching the piston stroke from the window on the back side of the motor/pump and using the smallest tip available (for slowest piston speed possible), spray water back in to the bucket (or other waste container). Stop spraying when the piston is in the desired location.
6. Turn off the engine or electric motor.
7. Continue by following the steps below.

#### DISASSEMBLING THE HYDRAULIC MOTOR

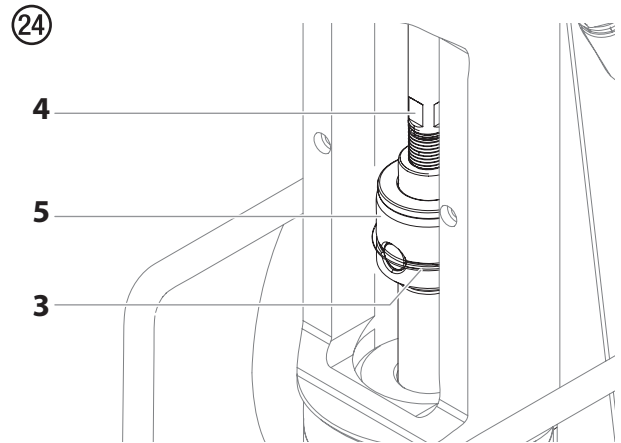
1. Using a hex wrench, loosen the captive screws that secure the PCB board assembly (Fig. 23, item 1) to the hydraulic motor cylinder. Once removed, the board can hang by its cord.
2. Remove the cylinder head plug (2) from the hydraulic motor cylinder.




3. Using a syringe or sponge, soak up any excess hydraulic fluid in the cavity left by removing the cylinder head plug.
4. In the access area left by the removal of the PCB board assembly, locate the flats on the bottom of the hydraulic piston (Fig. 24, item 3). Place a wrench on the hydraulic piston flats.
5. Slide the retaining ring (4) on the piston coupler (5) up to clear it of the coupler holes.
6. Carefully insert a screwdriver into one of the open holes of the piston coupler (5) to secure it.

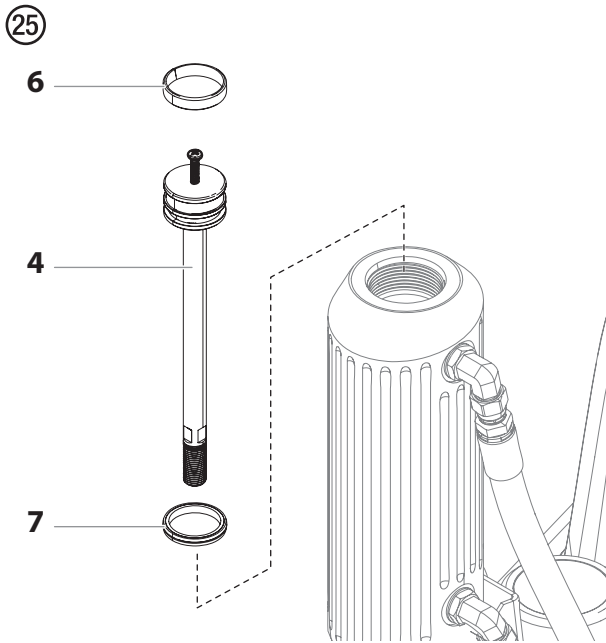
	<p>You may need to twist the entire hydraulic piston (4) and coupler (5) assembly slightly with the wrench to gain access to one of the open holes.</p>
---	---

7. Loosen the hydraulic piston (4) from the coupler (5) using the wrench on the flats of the hydraulic piston (4).

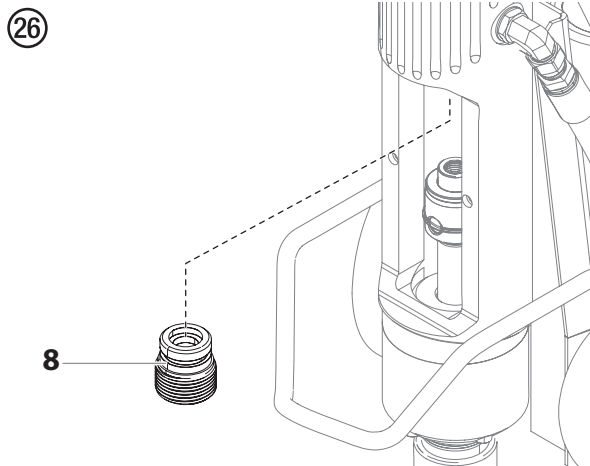


8. Lightly thread a 1/4 - 20 screw into the top of the hydraulic piston (Fig. 25, item 4). Using the screw, pull the piston from the top of the hydraulic motor cylinder.
9. Carefully remove the seal (6) and wear ring (7) from the piston. Replace with new parts from the kit.

	<p>Be sure to coat the the new seal and wear ring with hydraulic oil prior to reinstallation.</p>
---	---



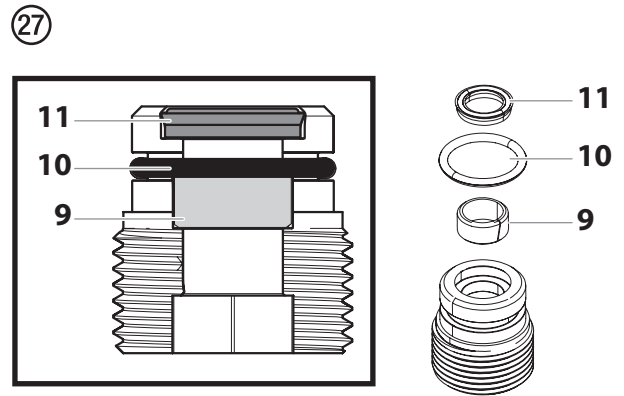
10. Using an L-shaped hex wrench, unthread the plug assembly (Fig. 26, item 8) from the inside of the hydraulic motor cylinder.



11. Carefully remove the wear ring (Fig. 27, item 9), O-ring (10), and cup seal with O-ring (11) from the plug.

 <b>Attention</b>	<p>Remove these parts very carefully. Do not scratch any metal surface of the plug assembly</p>
----------------------	---

12. Soak the new parts from the kit in hydraulic oil and reinstall back onto the plug. Be sure the O-ring on the top side of the cup seal (11) is visible from the top of the plug after it is installed.



**REASSEMBLING THE HYDRAULIC MOTOR**

1. Coat the threads of the plug assembly (8) with anti-seize. Replace the plug assembly (8) into the interior of the hydraulic motor cylinder. Torque to 450-500 in.lbs (50,8-56,5 Nm).

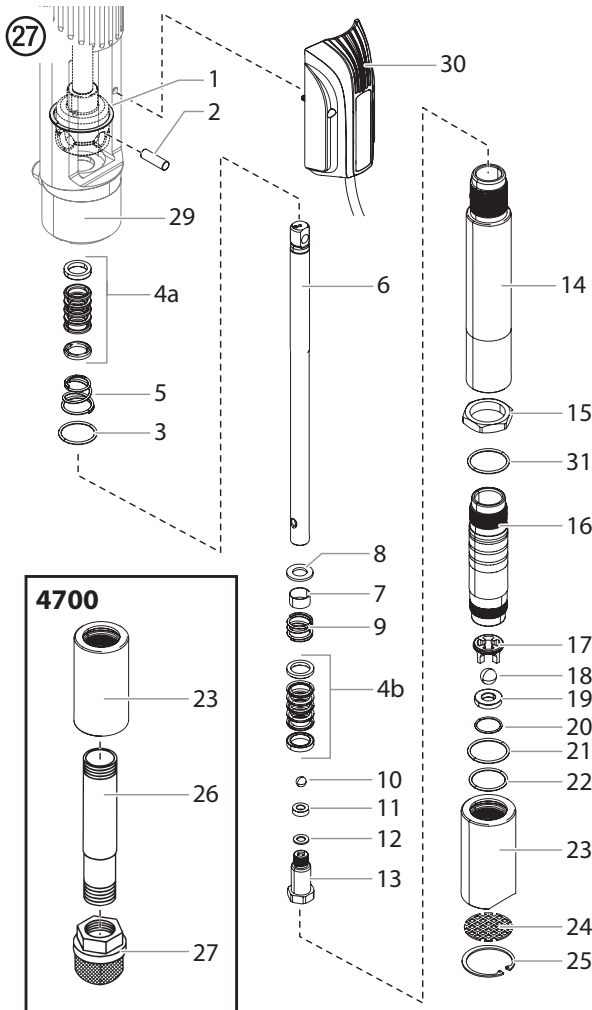
	<p>Inspect the bottom of the hydraulic piston for any sharp areas that could damage the piston seal (11) during reinstallation.</p>
--	---

2. Replace the hydraulic piston (4) back into the top of the hydraulic motor cylinder. Using a rubber mallet, carefully tap the piston down into the cylinder until the flats are visible in the access area above the piston coupler (5).
3. Remove the 1/4 - 20 screw from the top of the piston assembly.
4. Apply removable thread locker (Blue) to the threads of the hydraulic piston (4). Using a screwdriver in the open hole of the piston coupler (5) and a wrench on the flats of the hydraulic piston (4), reattach the two parts and tighten. Torque to 360-420 in.lbs (40,7-47,4 Nm).
5. Slide the retaining ring on the coupler back in place.
6. Lubricate the O-ring and cylinder plug threads with hydraulic oil. Replace the cylinder head plug (2). Torque to 110-120 ft. lbs (149-162,7 Nm).
7. Replace the PCB board assembly (1).

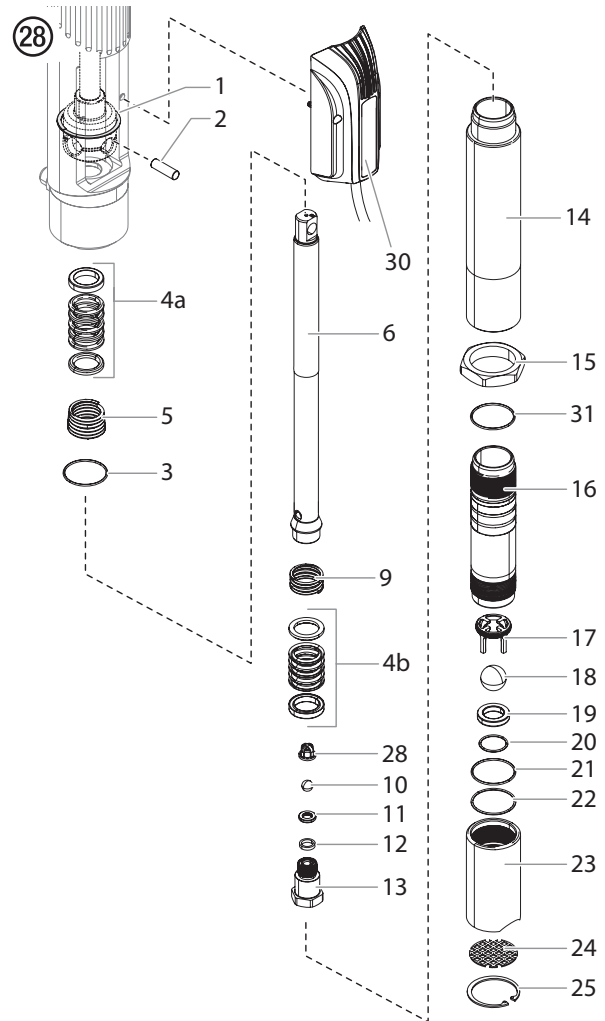
	<p>Once this repair is complete, start the engine or turn on the electric motor. Allow the unit to run for a few minutes and then shut it down. Immediately check the hydraulic oil level and refill if needed.</p>
--	---

## 7.9 SERVICING THE FLUID SECTION

### POWRBEAST 4700 / POWRBEAST 4700T



### POWRBEAST 7700 / POWRBEAST 9700



Attention

Use of non-Titan service parts may void warranty. Ask for original parts made by Titan for best services. This pump should receive a routine servicing after approximately 1,000 hours of use. Earlier servicing is required if there is excessive leakage from the top packing or if pump strokes become faster on one stroke or the other. The use of Titan Piston Lube (P/N 314-480) is recommended as an upper packing lubricant. Do not substitute oil, water, or solvent for an upper packing lubricant.

### DISASSEMBLING THE FLUID SECTION

1. Using a hex wrench, loosen the captive screws that secure the PCB board assembly (Fig. 27, item 30) to the hydraulic motor cylinder. Once removed, the board can hang by its cord.
2. Slide the retainer ring (1) up with a small screwdriver, then push the connecting pin (2) out.


3. **PowrBeast 4700** - Remove the siphon tube (26).
4. Spin the fluid section removal nut (15) counterclockwise so that it bottoms out on the threads on the cylinder (16).
5. Place a wrench on the flats of the fluid section removal nut (15). Turn the wrench counterclockwise to loosen the entire fluid section.
6. Carefully pull down the fluid section to remove from the hydraulic motor.
7. In order to service the fluid section, stabilize it by securing the flats of the fluid section removal nut (15) in a vise.
8. Unthread the foot valve housing (23) with a strap wrench.
9. Remove upper packing spring (5), and upper packing set (4a) from the motor/pump block.
10. Place a wrench on the flats on top of the displacement rod (6). Using a second wrench, loosen and remove the outlet valve housing (13) from the displacement rod (6).
11. Remove the seal washer (12), outlet valve seat (11), outlet valve ball (10), outlet valve cage (28, PowrBeast 7700)


/ PowrBeast 9700 only), lower packing set (4b), lower packing spring (9) and spring retainer (8, PowrBeast 4700 only).

12. Using a 1/2" extension bar attached to a 1/2" drive ratchet, insert the end of the extension bar into the square opening of the foot valve cage (17) inside the foot valve housing (23). Unscrew and remove the foot valve cage from the foot valve housing.
13. Remove the PTFE o-ring (22), foot valve ball (18), foot valve seat (19), and seat o-ring (20) from the foot valve housing (23).
14. Remove the o-ring (21) from the pump cylinder (16)

7. Clean the threads on the outlet valve housing (13) and coat the threads with blue Loctite #242. Make sure the Loctite is only on the threads.
8. Place the lower packing spring (9) onto the outlet valve housing (13) followed by the spring retainer (8, PowrBeast 4700 only).
9. Screw the displacement rod (6) and the outlet valve housing (13) together. Tighten in a vise to 50 ft./lbs. (68 Nm).
10. Insert the PTFE o-ring (3) into the upper groove of the motor/pump block.
11. Insert the upper packing set (4a) into the motor/pump block with the peak of the "V" packings pointing up toward the motor.


**REASSEMBLING THE FLUID SECTION**


	Use PTFE tape on all threaded pipe connections.
---	---

	The packings must be soaked in CoolFlo hydraulic oil before installation.
---	---

1. Place a new seat o-ring (20) into the groove in the bottom of the foot valve housing (23).
2. Inspect the foot valve seat (19) for wear. If one side is worn, flip the seat to the unused side. If both sides are worn, install a new seat. Place the new or flipped seat (worn side down) into the bore at the bottom of the foot valve housing (23).
3. Place a new foot valve ball (18) onto the foot valve seat (19). Using a 1/2" extension bar attached to a 1/2" drive ratchet, insert the end of the extension bar into the square opening of the foot valve cage (17) and screw the foot valve cage into the foot valve housing (23). Torque the cage to 240 in./lbs. (20 ft./lbs.).
4. Insert a new PTFE o-ring (22) into the groove of the foot valve housing (23). Lubricate the o-ring using oil or grease.
5. After soaking the leather packings in oil (preferably linseed oil), reassemble the lower packing set (4b). Place the set onto the outlet valve housing (13) with the peak of the "V" packings pointing down toward the hex on the outlet valve housing.



12. Place the upper packing spring (5) into the motor/pump block with the small tapered end facing up toward the motor/pump block.
13. Insert the displacement rod (6) up through the upper packings in the motor/pump block.
14. Align the holes in the displacement rod (6) and the hydraulic piston rod and insert the connecting pin (2). Replace the retaining ring (1) over the connecting pin.
15. **PowrBeast 4700** - Thread the long threads of the pump cylinder (16) into the motor/pump block and tighten with a strap wrench.
16. Thread the male threads of the cylinder spacer (14) into the motor/pump block and tighten with a strap wrench. Thread the long threads of the pump cylinder (16) into the cylinder spacer (14) and tighten with a strap wrench.
17. Place the o-ring (21) onto the top groove of the pump cylinder (16).
18. Thread the foot valve housing (23) onto the pump cylinder (16), tighten with a strap wrench.
19. **PowrBeast 4700** - Install the siphon tube (26).

	All leather packings must be soaked in CoolFlo hydraulic oil for 15–20 minutes before installation. Soaking the packings too long will cause the packings to swell and create difficulty during reassembly.
---	---

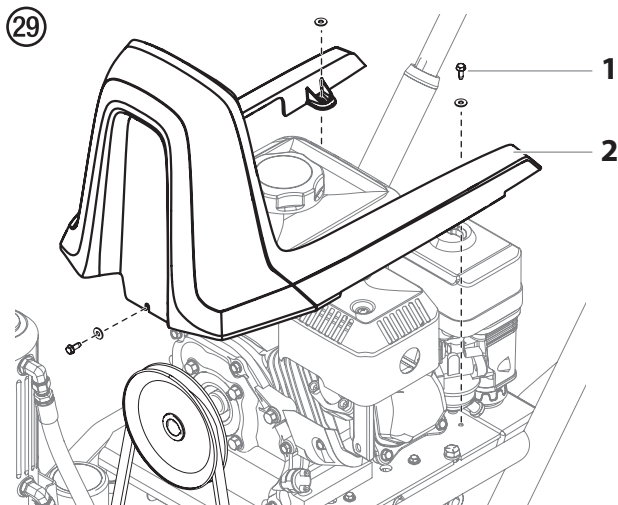
	It is not necessary to over-tighten the foot valve housing. O-ring seals perform sealing function without excessive tightening. Full thread engagement is sufficient.  <b>PowrBeast 4700</b> - For siphon tube attachment, it is critically important that the threads of the siphon tube fit snugly into the foot valve housing with the tube PTFE taped and sealed to prevent air leakage.
---	--

6. Inspect the outlet valve seat (11) for wear. If one side is worn, flip the seat to the unused side. If both sides are worn, use a new seat. Insert the outlet valve cage (28, PowrBeast 7700 / 9700 only) outlet valve ball (10), new or flipped seat (worn side away from ball), and a new seal washer (12) into the displacement rod (6).

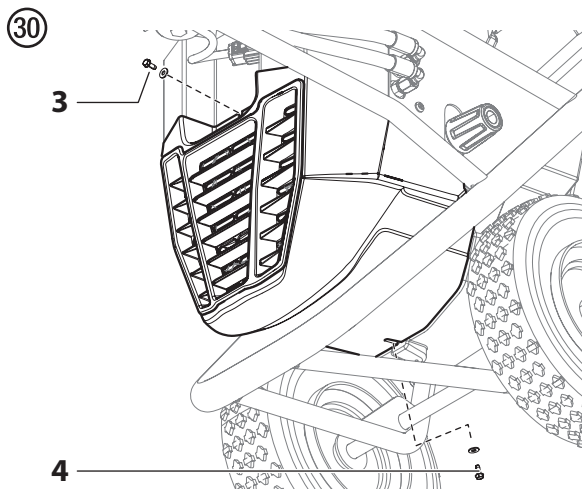
### 7.10 REPLACING THE BELT

	<p>Before replacing the belt on your unit, make sure you have performed the "Pressure Relief Procedure" as illustrated in the Operation section of this manual. DO NOT attempt this repair while the unit is running.</p>
	<p>The graphics below show a unit with a gas engine. All instructions given in this section will apply to both gas engine models and electric motor models except where noted.</p>

1. Remove the three screws and washers (1) that secure the top shroud (2) to the cart frame. Remove the shroud.




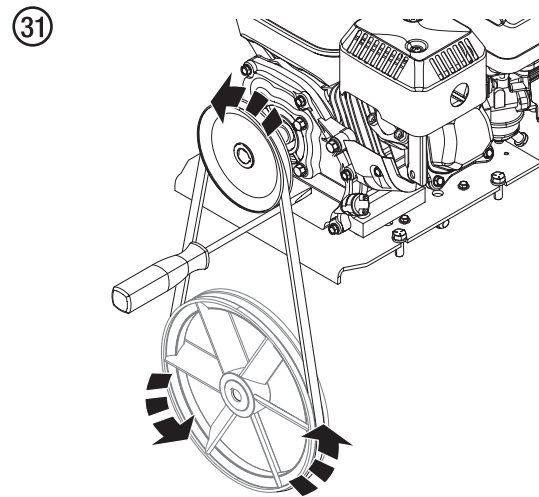
2. Remove the front screw (3) and the bottom screw (4) that secures the lower shroud to the main unit. Remove the entire shroud.



3. Carefully insert the driver end of a screwdriver in between the belt and upper pulley as shown (fig. 31).


4. With the screwdriver in place, use your other hand to manually turn the belt and pulleys counterclockwise. Allow the screwdriver to follow the motion of the pulley and pry the belt outward at the same time. Continue to turn the pulley approximately 1/2 turn and the belt will slide off the upper pulley with the help of the screwdriver.

	<p><b>PINCH HAZARD.</b> Make sure your fingers remain clear of the contact area between the screwdriver and the pulley. Do not allow your fingers to get between the belt and pulley as it turns.</p> <p><b>BURN HAZARD.</b> Make sure the gas engine has had time to sufficiently cool before touching it.</p>
---	---



#### REINSTALLATION

1. Loop the the new belt over the top pulley until the belt engages the pulley groove.
2. Allow the belt to hang from the top pulley. With your hand, hold the belt in place in approximately the 3:00 position on the lower pulley groove.
3. Use your other hand to manually turn the upper pulley clockwise. Allow the hand holding the belt on the lower pulley to follow the motion. The motion of the pulley and the placement of your hand over the belt on the lower pulley will allow the the belt to slide into place on the lower pulley.

 <p>Attention</p>	<p>Make sure the belt is not pinched or twisted in any way.</p>
--	---

4. Reverse steps 1-2 to reassemble the unit.

## 8 TROUBLESHOOTING

### 8.1 AIRLESS GUN

PROBLEM	CAUSE	SOLUTION
A. Spitting gun	<ol style="list-style-type: none"> <li>1. Air in system</li> <li>2. Dirty gun</li> <li>3. Needle assembly out of adjustment</li> <li>4. Broken or chipped seat</li> </ol>	<ol style="list-style-type: none"> <li>1. Inspect connections for air leaks.</li> <li>2. Disassemble and clean.</li> <li>3. Inspect and adjust.</li> <li>4. Inspect and replace.</li> </ol>
B. Gun will not shut off	<ol style="list-style-type: none"> <li>1. Worn or broken needle &amp; seat</li> <li>2. Needle assembly out of adjustment</li> <li>3. Dirty gun</li> </ol>	<ol style="list-style-type: none"> <li>1. Replace.</li> <li>2. Adjust.</li> <li>3. Clean.</li> </ol>
C. Gun does not spray	<ol style="list-style-type: none"> <li>1. No paint</li> <li>2. Plugged filter or tip</li> <li>3. Broken needle in gun</li> </ol>	<ol style="list-style-type: none"> <li>1. Check fluid supply.</li> <li>2. Clean.</li> <li>3. Replace.</li> </ol>

### 8.2 FLUID SECTION

PROBLEM	CAUSE	SOLUTION
A. Pump delivers on upstroke only or goes up slowly and down fast (commonly called downstroke dive)	<ol style="list-style-type: none"> <li>1. Lower foot valve ball is not seating due to trash or wear</li> <li>2. Material too viscous to siphon.</li> <li>3. Air leaking in on siphon side or damaged siphon hose. Siphon may be too small for heavy material.</li> </ol>	<ol style="list-style-type: none"> <li>1. Remove foot valve assembly. Clean and inspect. Test foot valve by filling with water; if ball fails to seal the seat, replace ball.</li> <li>2. Thin material — contact manufacturer for proper thinning procedures.</li> <li>3. Tighten all connections between pump and paint container. If damaged, replace. Switch to larger diameter siphon set.</li> </ol>
B. Pump delivers on down stroke only or goes up fast and down slowly	<ol style="list-style-type: none"> <li>1. Upper ball is not seating due to trash or wear</li> <li>2. Lower packing set is worn</li> </ol>	<ol style="list-style-type: none"> <li>1. Check upper seat and ball with water. If ball fails to seal, replace seat.</li> <li>2. Replace packing set if worn.</li> </ol>
C. Pump moves up and down fast, delivering material	<ol style="list-style-type: none"> <li>1. Material container is empty or material is too thick to flow through siphon hose</li> <li>2. Bottom ball stuck to foot valve seat</li> <li>3. Siphon hose is kinked or loose</li> </ol>	<ol style="list-style-type: none"> <li>1. Refill with new material. If too thick, remove siphon hose, immerse fluid section in material, and start pump to prime. Add thinner to material. Change to bigger siphon set. Open bleed valve to remove air and restart pump.</li> <li>2. Remove foot valve. Clean ball and seat.</li> <li>3. Straighten.</li> </ol>
D. Pump moves up and down slowly when spray gun is shut off	<ol style="list-style-type: none"> <li>1. Loose connections. Bleed valve is open partially or bleed valve is worn. Lower packing seat is worn.</li> <li>2. Upper and/or lower ball not seating</li> </ol>	<ol style="list-style-type: none"> <li>1. Check all connections between pump and gun. Tighten as necessary. If material is flowing from bleed hose, close bleed valve or replace, if necessary. Should none of the above be evident, replace lower packing.</li> <li>2. Reseat balls by cleaning.</li> </ol>
E. Not enough fluid pressure at gun	<ol style="list-style-type: none"> <li>1. Spray tip is worn</li> <li>2. Outlet filter or gun filter is clogged</li> <li>3. Low voltage and/or inadequate amperage</li> <li>4. Hose size or length is too small or too long</li> </ol>	<ol style="list-style-type: none"> <li>1. Replace.</li> <li>2. Clean or replace filter.</li> <li>3. Check electrical service. Correct as required.</li> <li>4. Increase hose size to minimize pressure drop through hose and/or reduce hose length.</li> </ol>
F. Pump chatters on up or down stroke	<ol style="list-style-type: none"> <li>1. Solvent has caused upper packing to swell</li> </ol>	<ol style="list-style-type: none"> <li>1. Replace packing.</li> </ol>

### 8.3 HYDRAULIC MOTORS

#### PROBLEM

- A. Hydraulic motor stalls at bottom or top of stroke; low or intermittent fluid pump pressure; unusual stroke speed; high heat of the hydraulic oil temperature (above 200°F, [93°C]).

#### CAUSE

1. Low hydraulic oil level.
2. Pressure control setting too low.
3. Hydraulic belt or pulley failure.
4. Hydraulic piston failure.
5. Bound or broken fluid section piston.
6. Hydraulic piston rod seal failure
7. Hydraulic piston head seal failure
8. Other

#### SOLUTION

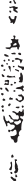
1. Check oil level. Fill if necessary. If the oil level is full, check the controller.
2. Make sure the pressure control knob is turned up enough to cycle the motor. If the pressure control setting is okay, then check the belt and pulleys.
3. Make sure the key is present in the output shaft of the engine/electric motor and the input shaft of the hydraulic pump. Make sure the belt is not broken and has adequate tension. If belt and pulleys are okay, please contact a Titan Authorized Service Center.
4. Visually check hydraulic piston rod for breaks. If a broken hydraulic piston rod is apparent then remove/replace hydraulic piston. Depending on where the break occurred the piston coupler may also need to be replaced. Please visit a Titan Authorized Service Center if assistance is necessary. If hydraulic piston is okay then check for bound/broken fluid section piston
5. To check for a bound/broken fluid section piston de-couple the hydraulic piston from the paint piston by removing the dowel pin. Power up the unit. If the hydraulic motor cycles when the hydraulic piston is de-coupled from the paint piston then the problem is most likely in the fluid section. Please visit a Titan Authorized Service Center if assistance is necessary. If the hydraulic motor still does not cycle then check the hydraulic piston rod seal.
6. Remove the hydraulic piston rod seal plug which contains the rod seal, O-ring, and rod wear ring. Check for damage and replace rod seal, O-ring, or rod wear ring if necessary. If rod seal, O-ring, and rod wear ring are okay then check the hydraulic piston head seal.
7. Remove the hydraulic piston and inspect/replace the piston head seal and piston head wear ring as needed. During this process check the cylinder bore for damage or uneven wear marks. If the cylinder bore is damaged then replace pump block along with piston head seal and piston head wear ring.
8. If problems persist please see a Titan Certified Service Center.



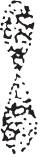
## 8.4 SPRAY PATTERNS

### PROBLEM

A. Tails



B. Hour glass



C. Distorted



D. Pattern expanding and contracting (surge)



E. Round pattern



### CAUSE

1. Inadequate fluid delivery

1. Inadequate fluid delivery

1. Plugged or worn nozzle tip

1. Suction leak  
2. Pulsating fluid delivery

1. Worn tip  
2. Fluid too heavy for tip

### SOLUTION

1. Fluid not atomizing correctly:  
Increase fluid pressure. Change to smaller tip orifice size.  
Reduce fluid viscosity. Reduce hose length. Clean gun  
and filter(s). Reduce number of guns using pump.

1. Same as above.

1. Clean or replace nozzle tip.

1. Inspect for suction hose leak.  
2. Change to a smaller tip orifice size. Install pulsation  
dampener in system or drain existing one. Reduce  
number of guns using pump. Remove restrictions in  
system; clean tip screen if filter is used.

1. Replace tip.  
2. Increase pressure. Thin material. Change nozzle tip.

# Warnung!

**Achtung: Verletzungsgefahr durch Injektion!**  
**Airless-Geräte entwickeln extrem hohe Spritzdrücke.**



**1**

**Niemals Finger, Hände oder andere Körperteile mit dem Spritzstrahl in Berührung bringen!**

**Nie die Spritzpistole auf sich, Personen und Tiere richten.**

**Nie die Spritzpistole ohne Spritzstrahl-Berührungsschutz benutzen.**

**Behandeln Sie eine Spritzverletzung nicht als harmlose Schnittverletzung. Bei einer Hautverletzung durch Beschichtungsstoff oder Lösemittel sofort einen Arzt aufsuchen zur schnellen, fachkundigen Behandlung. Informieren Sie den Arzt über den verwendeten Beschichtungsstoff oder das Lösemittel.**

**2**

**Vor jeder Inbetriebnahme sind gemäß Betriebsanleitung folgende Punkte zu beachten:**

1. Fehlerhafte Geräte dürfen nicht benutzt werden.
2. Titan-Spritzpistole sichern mit Sicherungshebel am Abzugsbügel.
3. Erdung sicherstellen.
4. Zulässigen Betriebsdruck von Hochdruckschlauch und Spritzpistole überprüfen.
5. Alle Verbindungsteile auf Dichtheit prüfen.

**3**

**Anweisungen zur regelmäßigen Reinigung und Wartung des Gerätes sind streng einzuhalten.**

**Vor allen Arbeiten am Gerät und bei jeder Arbeitspause folgende Regeln beachten:**

1. Spritzpistole und Hochdruckschlauch druckentlasten.
2. Titan-Spritzpistole sichern mit Sicherungshebel am Abzugsbügel.
3. Gerät ausschalten.

# Achte auf Sicherheit!

<b>1</b>	<b>SICHERHEITSVORSCHRIFTEN FÜR DAS AIRLESS-SPRITZEN</b>	<b>36</b>	<b>7</b>	<b>UNTERHALT</b>	<b>54</b>
1.1	Erklärung der verwendeten Symbole	36	7.1	Tägliche Wartung	54
1.2	Elektrische Sicherheit	36	7.2	Die oberen Dichtungen einfetten	54
1.3	Sicherheitsrisiken	36	7.3	Unterhalt des Filteraufbaus	54
1.4	Aufstellung in unebenem Gelände	38	7.4	Unterhalt des hydraulischen Systems	55
1.5	Benzinmotoren-Betriebssicherheit	38	7.5	Unterhalt des Flüssigkeitsbereichs	56
1.6	Betanken (Benzinmotor)	39	7.6	Hochdruckschlauch	57
<b>2</b>	<b>ANWENDUNGSÜBERSICHT</b>	<b>40</b>	7.7	Einfacher Unterhalt des Motors (Benzinmotor)	57
2.1	Einsatzgebiete	40	7.8	Wartung des Hydraulikmotors	58
2.2	Beschichtungsstoffe	40	7.9	Unterhalt des Flüssigkeitsbereiches	60
<b>3</b>	<b>GERÄTEBESCHREIBUNG</b>	<b>41</b>	7.10	Auswechseln des Riemens	62
3.1	Airless-Verfahren	41	<b>8</b>	<b>FEHLERBEHEBUNG</b>	<b>63</b>
3.2	Funktion des Gerätes	41	8.1	Airless-Spritzpistole	63
3.3	Erklärungsbild PowrBeast-Geräte mit Benzinmotor	42	8.2	Flüssigkeitsbereich	63
3.4	Erklärungsbild PowrBeast-Geräte mit Elektromotor	43	8.3	Hydraulikmotor	64
3.5	Technische Daten PowrBeast-Geräte	44	8.4	Spritzmuster	65
3.6	Transport	45	<b>ZUBEHÖR UND ERSATZTEILE</b>	<b>98</b>	
<b>4</b>	<b>BEDIENUNG</b>	<b>45</b>	Ersatzteilliste Hauptbaugruppe I	98/99	
4.1	Einrichtung	45	Ersatzteilliste Hauptbaugruppe II	100/101	
4.2	Start des Benzinmotors (Benzinmodelle)	47	Ersatzteilliste Wagen	102/103	
4.3	Vorbereitung eines neuen Spritzgeräts	47	Ersatzteilliste Hydrauliksystem	104/105	
4.4	Vorbereitung der Farbe	48	Ersatzteilliste Flüssigkeitsbereich •		
4.5	Farbgebung	49	PowrBeast 4700 / PowrBeast 4700T	106/107	
4.6	Vorgehensweise bei Druckentlastung	49	Ersatzteilliste Flüssigkeitsbereich •		
<b>5</b>	<b>SPRITZTECHNIK</b>	<b>50</b>	PowrBeast 7700 / 9700	108/109	
5.1	Eine verstopfte Düse reinigen	50	Ersatzteilliste Hydraulikmotors	110/111	
5.2	Arbeitsunterbrechung	51	Ersatzteilliste Hochdruckfilter	112/113	
5.3	Handhabung des Hochdruck-schlauches	51	Ersatzteilliste Ablassventilbaugruppe	114	
<b>6</b>	<b>REINIGUNG</b>	<b>52</b>	Ersatzteilliste Ablassventilbaugruppe, schwere Anstrichen	115	
6.1	Besondere Reinigungshinweise bei Verwendung entflammbarer Lösungsmittel	52	Ersatzteilliste für die Magnetbaugruppe	116/117	
6.2	Reinigung des Spritzgeräts	52	<b>SCHALTPLAN (120V)</b>	<b>118</b>	
6.3	Gerätereinigung von außen	52	<b>SCHALTPLAN (230V)</b>	<b>119</b>	
6.4	Den Steinfänger reinigen/Ansaugfilter	53	<b>SCHALTPLAN (BENZINMOTOR)</b>	<b>120</b>	
6.5	Reinigung der Airless-Spritzpistole	53	<b>HYDRAULIKSCHEMA</b>	<b>121</b>	
			<b>ZUBEHÖR FÜR POWRBEAST-GERÄTE</b>	<b>122/123</b>	
			<b>GARANTIE</b>	<b>127</b>	

# 1 SICHERHEITSVORSCHRIFTEN FÜR DAS AIRLESS-SPRITZEN

## 1.1 ERKLÄRUNG DER VERWENDETEN SYMBOLE

Diese Bedienanleitung enthält Informationen, die der Benutzer vor Verwendung des Geräts gründlich durcharbeiten muss. In Bereichen, die mit den folgenden Symbolen gekennzeichnet sind, besonders vorsichtig arbeiten und alle Sicherheitshinweise beachten.



→ Dieses Symbol verweist auf eine potenzielle Gefahr, die zum Tode oder zu schweren Verletzungen führen kann. Hier finden Sie wichtige Sicherheitsinformationen.



→ Dieses Symbol weist auf eine potenzielle Gefahr für Sie bzw. das Gerät hin. Unter diesem Symbol finden Sie wichtige Informationen, wie Sie Schäden an dem Gerät und Verletzungsgefahr vermeiden.



→ Injektionsgefahr



→ Brandgefahr durch Lösemittel und Farbdämpfe



→ Explosionsgefahr durch Lösemittel, Farbdämpfe und ungeeignete Materialien



→ Verletzungsgefahr durch das Einatmen von schädlichen Dämpfen



→ Verletzungsgefahr durch Stromschlag

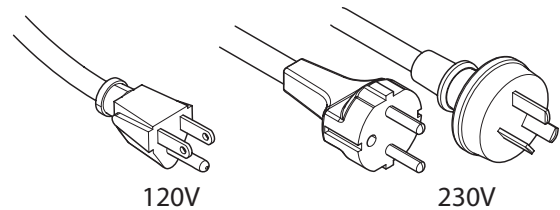


→ Hinweise enthalten wichtige Informationen, die beachtet werden sollten.

## 1.2 ELEKTRISCHE SICHERHEIT

Elektrogeräte müssen geerdet werden. Bei einem elektrischen Kurzschluss reduziert die Erdung die Gefahr eines elektrischen Schlages, da der Fehlerstrom über den Schutzleiter abgeführt wird. Dieses Gerät ist mit einem Netzkabel versehen, das einen Schutzkontaktstecker besitzt. Anschluss an das Stromnetz nur über einen besonderen Speisepunkt z. B. über eine Fehlerstromschutzeinrichtung mit  $INF \leq 30 \text{ mA}$ .

- Bei einer unsachgemäßen Installation des Erdungssteckers besteht die Gefahr eines Stromschlages.
- Dieses Produkt eignet sich zur Verwendung mit 120V- oder 230V-Nennstrom und hat einen Erdungsstecker, der den Steckern in der unteren Abbildung ähnlich ist.



- Schließen Sie die Anlage nur an eine Steckdose an, die die gleiche Konfiguration hat wie der Stecker.
- Verwenden Sie bei diesem Produkt keinen 3 zu 2 Adapter.



GEFAHR — Arbeiten oder Reparaturen an der elektrischen Ausrüstung nur von einer Elektrofachkraft durchführen lassen. Für unsachgemäße Installation wird keine Haftung übernommen. Gerät ausschalten. Vor allen Reparaturen – Netzstecker aus der Steckdose ziehen.



Gerätereinigung: Kurzschlussgefahr durch eindringendes Wasser in die elektrische Ausrüstung. Gerät niemals mit Hochdruck- oder Dampfhochdruckreiniger abspritzen.

## 1.3 SICHERHEITSRISIKEN



WICHTIGE SICHERHEITSANWEISUNGEN. BEWAHREN SIE DIESE ANWEISUNGEN AUF



**GEFAHR: VERLETZUNG DURCH FLÜSSIGKEITEN UNTER DRUCK**

Eine unter hohem Druck stehende Flüssigkeit, wie sie von diesem Gerät erzeugt wird, kann die Haut durchdringen und in das darunter liegende Bindegewebe eindringen und so zu schweren Verletzungen und selbst zur Amputation führen.

Behandeln Sie eine Spritzverletzung nicht als harmlose Schnittverletzung. Bei einer Hautverletzung durch Beschichtungsmittel oder Lösemittel sofort einen Arzt aufsuchen zur schnellen, fachkundigen Behandlung. Informieren Sie den Arzt über den verwendeten Beschichtungsmittel oder das Lösemittel.

**VORSICHTSMASSNAHMEN:**

- NIEMALS die Spritzpistole auf Körperteile halten.
- NIEMALS mit Körperteilen den Flüssigkeitsstrahl berühren. NIEMALS mit dem Körper eine Leckstelle im Druckschlauch berühren.
- NIEMALS die Hand vor die Düse der Spritzpistole halten. Handschuhe stellen keinen sicheren Schutz vor Verletzungen durch injizierte Flüssigkeiten dar.
- STETS den Auslöser der Spritzpistole verriegeln, die Pumpe ausschalten und den Druck vollständig entspannen, bevor Wartungs- und Reinigungsarbeiten, Durchsichten, Düsenwechsel oder ähnliche Arbeiten durchgeführt werden oder das Gerät unbeaufsichtigt gelassen wird. Auch nach dem Ausschalten des Motors steht das Gerät noch unter Druck. Das Ventil PRIME/SPRAY (Vorfüll-/Sprühventil) bzw. das Druckentlastungsventil müssen in ihren Sollpositionen stehen, um den Systemdruck zu entspannen.
- STETS den Düsenschutz aufsetzen, wenn Spritzarbeiten durchgeführt werden. Der Düsenschutz stellt einen gewissen Schutz dar, ist aber vor allem als Warnvorrichtung gedacht.
- STETS die Spritzdüse entfernen, bevor das System gereinigt oder gespült wird.
- NIEMALS eine Spritzpistole ohne funktionsfähige Auslöserverriegelung und ohne Auslöserbügel verwenden.
- Das gesamte Zubehör muss mindestens für den maximalen Betriebsdruckbereich des Spritzgeräts zugelassen sein. Dazu gehören Spritzdüsen, Spritzpistolen, Verlängerungen und Schlauch.



**GEFAHR: HOCHDRUCKSCHLAUCH**

Durch Verschleiß, Knicken und nicht zweckentsprechende Verwendung können sich Leckstellen im Farbschlauch bilden. Durch eine Leckstelle kann Flüssigkeit in die Haut injiziert werden. Vor Verwendung den Schlauch gründlich prüfen.

**VORSICHTSMASSNAHMEN:**

- Scharfes Biegen oder Knicken des Hochdruckschlauches vermeiden, kleinster Biegeradius etwa 20 cm.
- Hochdruckschlauch nicht überfahren, sowie vor scharfen Gegenständen und Kanten schützen.
- Beschädigten Hochdruckschlauch sofort ersetzen.
- Niemals defekten Hochdruckschlauch selbst reparieren!
- Elektrostatische Aufladung von Spritzpistole und Hochdruckschlauch wird über den Hochdruckschlauch abgeleitet. Deshalb muss der elektrische Widerstand zwischen den Anschlüssen des Hochdruckschlauches gleich oder kleiner ein Megaohm betragen.
- Aus Gründen der Funktion, Sicherheit und Lebensdauer, nur Titan-Original-Ersatzhochdruckschläuche verwenden.
- Vor jedem Einsatz alle Schläuche auf Einschnitte, Leckstellen, Scheuerstellen oder gewölbte Oberflächen kontrollieren. Die Kupplungen auf Unversehrtheit und festen Sitz kontrollieren. Schläuche unverzüglich ersetzen, wenn einer der oben genannten Fehler festgestellt wird. Einen Farbschlauch niemals reparieren. Einen defekten Schlauch durch einen geerdeten Hochdruckschlauch ersetzen.
- Achten Sie darauf, Spritzschläuche so zu verlegen, dass die Rutsch-, Stolper-, und Unfallgefahr minimiert wird.
- Setzen Sie den Schlauch keinen Temperaturen bzw. keinem Druck aus, die höher sind bzw. der höher ist als vom Hersteller angegeben.
- Verwenden Sie den Schlauch nicht als Festigkeitsträger, um die Ausrüstung zu ziehen oder hochzuheben.



**GEFAHR: EXPLOSIONS- UND BRANDGEFAHR**



Brennbare Dämpfe, wie z. B. Dämpfe von Lösungsmitteln und Farben können sich in den Arbeitsbereichen entzünden oder explodieren.

**VORSICHTSMASSNAHMEN:**

- Verwenden Sie das Gerät ausschließlich in gut belüfteten Bereichen. Achten Sie auf ausreichende Frischluftzufuhr im gesamten Bereich, damit sich keine brennbaren Dämpfe in der Luft im Spritzbereich ansammeln können. Bewahren Sie die Pumpenbaugruppe in einem gut belüfteten Bereich auf. Besprühen Sie nicht die Pumpenbaugruppe.
- Nur elektronische Modelle - Verwenden Sie keine Materialien mit einem Flammpunkt unter 38°C (100°F). Der Flammpunkt ist die Temperatur, bei der eine Flüssigkeit ausreichend Dämpfe entwickeln kann, dass sich diese entzünden.
- Nur Modelle mit Benzin - Befüllen Sie den Treibstofftank nicht, wenn der Motor läuft oder heiß ist; schalten Sie den Motor ab und lassen diesen abkühlen. Der Treibstoff ist brennbar und kann sich entzünden bzw. explodieren, wenn dieser mit einer heißen Oberfläche in Berührung kommt.
- Beseitigen Sie alle Zündquellen, wie z. B. Zündflammen, Zigaretten, tragbare elektrische Lampen und

Plastikabdeckplanen (potenzieller elektrostatischer Lichtbogen).

- Halten Sie die Arbeitsbereiche frei von Verunreinigungen, einschließlich Lösungsmittel, Lappen und Benzin.
- Schließen Sie die Elektrozuleitungen nicht bzw. trennen diese nicht ab bzw. schalten Sie die Netzschalter bzw. Lichtschalter nicht ein bzw. aus, wenn sich brennbare Dämpfe entwickelt haben.
- Schutzleiter und leitfähige Gegenstände im Arbeitsbereich. Achten Sie darauf, dass die Erdleitung (in der Lieferung nicht enthalten) von der Erdungsklemme mit einem wirksamen Erdungsanschluss verbunden ist.
- Verwenden Sie ausschließlich geerdete Schläuche.
- Halten Sie die Spritzpistole fest an die Seite eines geerdeten Eimers, wenn Sie in den Eimer spritzen.
- Kommt es durch statische Aufladung zu Funkenbildung bzw. wenn Sie einen Stromschlag verspüren, brechen Sie den Vorgang umgehend ab.
- Sie müssen die Zusammensetzung der Farben und Lösungsmittel, die Sie spritzen möchten, kennen. Lesen Sie alle Material Sicherheitsdatenblätter (MSDS) und Behälterbeschriftungen von Farben und Lösungsmitteln durch. Befolgen Sie die Sicherheitsanweisungen des Farben- und Lösungsmittelherstellers.
- Verwenden Sie keine Farben bzw. Lösungsmittel, die Halogenkohlenwasserstoffe enthalten, wie z. B. Chlor, Bleiche, Antischimmelmittel, Methylenchlorid und Trichlorethan. Sie sind nicht kompatibel mit Aluminium. Setzen Sie sich mit dem Lieferanten der Beschichtung hinsichtlich der Kompatibilität des Materials mit Aluminium in Verbindung.
- Halten Sie im Arbeitsbereich einen Feuerlöscher bereit.



### GEFAHR: GEFÄHRLICHE DÄMPFE

Farben, Lösungsmittel und andere Materialien können beim Einatmen oder beim Kontakt mit dem Körper gesundheitsschädlich sein. Die Dämpfe können schwere Übelkeit, Ohnmacht und Vergiftungen verursachen.

### VORSICHTSMASSNAHMEN :

- Bei Spritzarbeiten Atemschutz tragen. Alle mit der Gesichtsmaske mitgelieferten Anleitungen durcharbeiten, damit die Gesichtsmaske auch den gewünschten Schutz bietet.
- Dem Benutzer ist eine Atemschutzmaske zur Verfügung zu stellen (Berufs-Genossenschaftliche Regeln „Regeln für den Einsatz von Atemschutzgeräten“ (BGR 190).
- Arbeitsschutzbrille tragen.
- Zum Schutz der Haut sind Schutzkleidung, Handschuhe und eventuell Hautschutzcreme erforderlich (BGR 197 "Benutzung von Hautschutz"). Vorschriften der Hersteller beachten zu den Beschichtungsstoffen, Lösemittel und Reinigungsmittel bei Aufbereitung, Verarbeitung und Gerätereinigung.



### GEFAHR: ALLGEMEINES

Kann schwere Personen- oder Sachschäden verursachen.

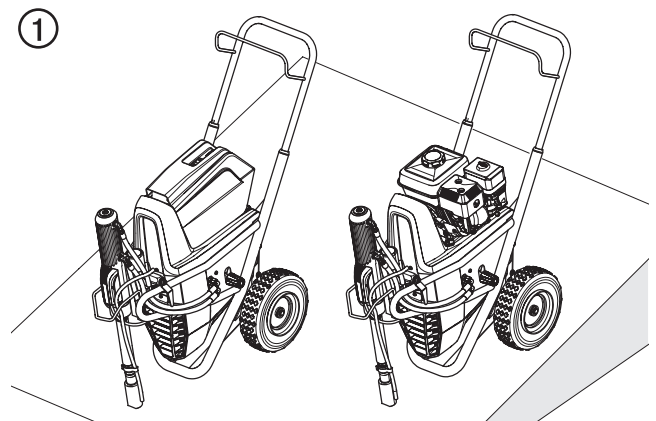
### VORSICHTSMASSNAHMEN :

- Alle lokalen sowie im Land bzw. Bundesland geltenden Vorschriften zum Brandschutz, zur Bedienung und Lüftung einhalten.
- Bei Betätigung des Auslösers zieht die Spritzpistole zur Seite. Diese Kraftwirkung der Spritzpistole ist besonders stark, wenn die Düse entfernt und bei der Pumpe hoher Druck eingestellt wurde. Bei der Reinigung mit abgeschraubter Düse daher den Druckreglerknopf auf den niedrigsten Druck einstellen.
- Nur vom Hersteller zugelassene Teile verwenden. Bei Verwendung von Teilen, die nicht die technischen Mindestanforderungen erfüllen, trägt der Benutzer alle Risiken und die gesamte Haftung. Dies gilt auch für die Sicherheitsvorrichtungen der Pumpe.
- IMMER die Hinweise des Herstellers zum sicheren Umgang mit Farben und Lösungsmitteln einhalten.
- Verschüttete Materialien und Lösemitteln sofort aufwischen, um Rutschgefahr zu vermeiden.
- Gehörschutz tragen. Dieses Gerät kann einen Schalldruck über 85 dB(A) erzeugen.
- Das Gerät niemals unbeaufsichtigt lassen. Kinder oder andere Personen, die mit dem Betrieb des druckluftlosen Spritzgeräts nicht vertraut sind, von dem Gerät fern halten.
- An windigen Tagen nicht im Freien spritzen.
- Das Gerät inklusive aller Flüssigkeiten (z.B. Hydrauliköl) müssen umweltgerecht entsorgt werden.
- Bleiben Sie wachsam und achten Sie darauf, was Sie tun.
- Bedienen Sie die Anlage nicht, wenn Sie müde sind oder unter dem Einfluss von Drogen oder Alkohol stehen.
- Überschätzen Sie sich nicht bzw. stehen Sie nicht auf einem unstablen Untergrund. Achten Sie stets auf einen festen Stand und guten Halt.

### 1.4 AUFSTELLUNG IN UNEBENEM GELÄNDE

Die Vorderseite muss nach unten zeigen, um ein Wegrutschen zu vermeiden.

Auf schrägen Untergründen ist das Gerät nicht zu betreiben, da es durch Vibrationen zum Wandern neigt.



## 1.5 BENZINMOTOREN-BETRIEBSSICHERHEIT

1. Benzinmotoren sind so gebaut, dass sie sicher und verlässlich funktionieren, wenn sie gemäss der Instruktionen bedient werden. Vor der Bedienung des Motos muss das Besitzerhandbuch des Herstellers gelesen und verstanden werden. Bei Unterlassung kann Personenverletzung oder Materialschaden entstehen.
2. Um Feuergefahr zu vermeiden und genügend Ventilation zu erlauben, muss der Motor mindestens 1 Meter von Gebäuden und anderen Maschinen entfernt sein wenn er in Betrieb ist. Keine brennbaren Gegenstände in der Nähe des Motors aufbewahren.
3. Personen, die das Gerät nicht bedienen, dürfen den Betriebsbereich nicht betreten, da die Möglichkeit besteht Verbrennungen von heissen Motorenteilen oder Verletzungen durch Geräte, die zur Bedienung des Motors benutzt werden, zu erleiden.
4. Seien Sie vertraut damit, wie Sie den Motor schnell abstellen können und wissen Sie Bescheid über alle Bedienungselemente und deren Handhabung. Erlauben Sie niemandem, den Motor ohne sachgerechte Anleitung zu bedienen.
5. Benzin ist äusserst flammbar und unter bestimmten Bedingungen explosiv.
6. Tanken Sie Benzin nur in einem gut durchlüfteten Bereich nach, nachdem der Motor abgestellt wurde. Rauchen Sie nicht und erlauben Sie keine Flammen oder Funken im Bereich in welchem aufgetankt wird oder Benzin aufbewahrt wird.
7. Ueberfüllen Sie den Benzintank nicht. Nach dem Auftanken, vergewissern Sie sich, dass die Tankverschlusskappe richtig und sicher aufgeschraubt ist.
8. Seien Sie darauf bedacht, beim Auftanken kein Benzin zu verschütten. Benzindämpfe oder verschüttetes Benzin könnte sich entflammen. Falls Benzin verschüttet wurde, vergewissern Sie sich, dass der Bereich trocken ist, bevor Sie den Motor starten.
9. Lassen Sie den Motor nie in einem geschlossenen oder engen Bereich laufen. Abgase enthalten giftige Kohlenmonoxidgase; diesen ausgesetzt läuft man Gefahr das Bewusstsein zu verlieren und es kann soogar zu Tod führen.
10. Der Auspuff wird während des Laufen des Motors sehr heiss und bleibt nach abstellen des Motors noch für eine Weile heiss. Seien Sie darauf Bedacht, den Auspuff nicht zu berühren, solange er noch heiss ist. Um schwere Verbrennungen oder Feuergefahr zu vermeiden, lassen Sie den Motor abkühlen, bevor Sie ihn transportieren oder in einem Innenraum aufbewahren.
11. Verschiffen oder transportieren Sie die Sprühanlage niemals mit Benzin im Tank.

## 1.6 BETANKEN (BENZINMOTOR)



Benzin ist äusserst entflammbar und unter bestimmten Bedingungen sogar explosiv.

## TECHNISCHE ANGABEN ZUM TREIBSTOFF

- Verwenden Sie Benzin mit einer Mindest-Oktananzahl von 86 oder mit einer Mindest-Research-Oktananzahl von 91. Die Verwendung eines Treibstoffes mit einer geringeren Oktananzahl kann zu ständigem "Motorklopfen" oder starkem "Klopfen" (ein metallisches klopfendes Geräusch) führen, das zu einem Motorschaden führen kann, wenn dieser zu stark ist.

	<p>Wechseln Sie die Treibstoffmarke, wenn das "Klopfen" oder "Motorklopfen" bei einer stetigen Motorgeschwindigkeit unter normaler Belastung auftritt. Bleibt das Klopfen bzw. Motorklopfen, setzen Sie sich mit einem autorisierten Händler des Motorherstellers in Verbindung. Bei Nichteinhaltung gilt dies als Fehlgebrauch und Schäden durch Fehlgebrauch sind nicht durch die Herstellergarantie gedeckt.</p> <p>Gelegentlich entsteht ein leichtes Klopfen, wenn das Gerät stark belastet wird. Das ist kein Grund zur Beunruhigung. Dies bedeutet nur, dass der Motor effizient funktioniert.</p>
--	---

- Bleifreier Treibstoff verursacht weniger Ablagerungen im Motor und in den Zündkerzen und verlängert die Lebensdauer der Komponenten des Abgassystems.
- Verwenden Sie niemals abgestandenes oder verschmutztes Benzin und/oder ein Öl-/Benzingemisch. Vermeiden Sie, dass Schmutz, Staub oder Wasser in den Treibstofftank gelangen.

## KRAFTSTOFF AUS BENZIN-ALKOHOL-GEMISCH

Wenn Sie sich für einen Kraftstoff aus einem Benzin-Alkohol-Gemisch (Gasohol) entscheiden, müssen Sie darauf achten, dass dessen Oktananzahl mindest so hoch ist, wie diese vom Motorenhersteller empfohlen wird. Es gibt zwei Arten von Benzin-Alkohol-Gemisch: die eine enthält Ethanol und die andere Methanol. Verwenden Sie kein Gasohol, das mehr als 10 % Ethanol enthält. Verwenden Sie kein Benzin-Methanol-Gemisch (Methyl oder Holzalkohol), das keine Zusatzlösungsmittel und Korrosionshemmstoffe für Methanol enthält. Verwenden Sie niemals Benzin, das mehr als 5 % Methanol enthält, auch dann nicht, wenn es Zusatzlösungsmittel und Korrosionshemmstoffe enthält.

	<p>Eine Beschädigung des Treibstoffsystems bzw. Probleme mit der Motorenleistung, die aus der Verwendung von Treibstoff resultieren, der Alkohol enthält, werden von der Gewährleistung nicht gedeckt. Der Motorenhersteller kann nicht die Verwendung von Treibstoffen befürworten, die Methanol enthalten, das es noch nicht als erwiesen gilt, dass sich diese hierfür eignen.</p> <p>Versuchen Sie herauszufinden, ob das Benzin Alkohol enthält, bevor Sie Benzin von einer Ihnen unbekanntem Tankstelle beschaffen. Falls dieses Alkohol enthält, überprüfen Sie die Art und den Anteil des verwendeten Alkohols. Stellen Sie bei der Verwendung von alkoholhaltigem Benzin bzw. von dem Sie annehmen, dass es Alkohol enthält, unerwünschtes Betriebsverhalten fest, stellen Sie auf ein Benzin um, von dem Sie wissen, dass es kein Alkohol enthält.</p>
--	--

## 2 ANWENDUNGSÜBERSICHT



### 2.1 EINSATZGEBIETE

Hauptanwendungsgebiete sind dicke Schichten von höherviskosem Beschichtungsstoff bei großen Flächen und hohem Materialeinsatz.

Grundierung und Schlussbeschichtung von Großflächen, Versiegelung, Imprägnierung, Bausanierung, Fassadenschutz und Fassadenrenovierung, Rostschutz und Bautenschutz, Dachbeschichtung, Dachabdichtung, Betonsanierung, sowie schwerer Korrosionsschutz.

#### SPRITZOBJEKT-BEISPIELE

Großbaustellen, Tiefbau, Kühltürme, Brücken, Kläranlagen und Flachdächer.

	Benutzen Sie diese Anlage NICHT um Wasser oder Säuren zu spritzen.
	Beim Auf- oder Abladen, nicht an der Deichsel halten. Gerät ist sehr schwer. Muss von drei Personen getragen werden.

### 2.2 BESCHICHTUNGSSTOFFE

#### VERARBEITBARE BESCHICHTUNGSSTOFFE

Wasserverdünnbare und lösemittelhaltige Lacke und Lackfarben, Zweikomponenten Beschichtungsstoffe, Dispersionen, Latexfarben.

Die Verarbeitung anderer Beschichtungsstoffe sollte nur nach Rückfrage bei der Firma Titan erfolgen, da die Haltbarkeit und auch die Sicherheit des Gerätes dadurch beeinträchtigt werden können.



Achten Sie auf Airless-Qualität bei den zu verarbeitenden Beschichtungsstoffen.

#### VISKOSITÄT

Das Gerät ist in der Lage Beschichtungsstoffe mit einer Viskosität bis zu 50.000 / 65.000 mPas zu verarbeiten. Lässt die Spritzleistung bei hochviskosen Beschichtungsstoffen zu stark nach, so ist nach Herstellerangabe zu verdünnen.

Beschichtungsstoff vor Arbeitsbeginn gut umrühren.



Achtung: Beim Aufrühren mit motorgetriebenen Rührwerken darauf achten, dass keine Luftblasen eingerührt werden. Luftblasen stören beim Spritzen, können sogar zur Betriebsunterbrechung führen.

#### BESCHICHTUNGSSTOFFE MIT SCHARFKANTIGEN ZUSATZSTOFFEN

Diese Partikel üben auf Ventile und Düse, aber auch auf die Spritzpistole eine stark verschleißende Wirkung aus. Die Lebensdauer dieser Verschleißteile wird dadurch erheblich beeinträchtigt.

#### ZWEIKOMPONENTEN-BESCHICHTUNGSSTOFF

Die entsprechende Verarbeitungszeit ist genau einzuhalten. Innerhalb dieser Zeit das Gerät sorgfältig mit dem entsprechenden Reinigungsmittel durchspülen und reinigen.

#### FILTERUNG

Für einen störungsfreien Betrieb ist eine ausreichende Filterung erforderlich. Das System ist mit einem Saugfilter, einem Einschubfilter in der/den Spritzpistole(n) und einem Hochdruckfilter am System ausgestattet. Eine regelmäßige Kontrolle dieser Filter auf Beschädigung oder Verschmutzung ist dringend zu empfehlen.



## 3 GERÄTEBESCHREIBUNG

### 3.1 AIRLESS VERFAHREN

Hauptanwendungsgebiete sind dicke Schichten von höherviskosem Beschichtungsstoff bei großen Flächen und hohem Materialeinsatz.

Eine Kolbenpumpe saugt den Beschichtungsstoff an und fördert ihn unter Druck zur Düse. Bei einem Druck bis max. 228 bar (22,8 MPa) durch die Düse gepresst, zerstäubt der Beschichtungsstoff. Dieser hohe Druck bewirkt eine mikrofeine Zerstäubung des Beschichtungstoffes.

Da in diesem System keine Luft verwendet wird, bezeichnet man dieses Verfahren als AIRLESS-Verfahren (luftlos).

Diese Art zu spritzen bringt die Vorteile von feinsten Zerstäubung, nebelarmer Betriebsweise und glatter, blasenfreier Oberfläche. Neben diesen Vorteilen sind die Arbeitsgeschwindigkeit und die große Handlichkeit zu nennen.

### 3.2 FUNKTION DES GERÄTES

Zum besseren Verständnis der Funktion kurz der technischen Aufbau.



Dieses Handbuch bietet Ihnen Informationen sowohl zu elektrischen Motoren als auch Benzinmotoren des Typs PowrBeast.

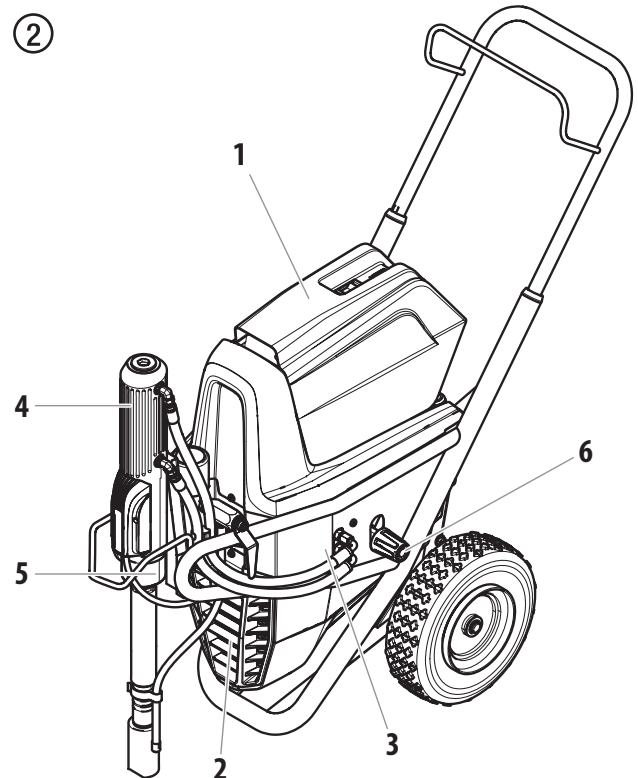
TITAN PowrBeast sind mit Benzinmotor oder Elektromotor angetriebene Hochdruckspritzgeräte.

Der Benzinmotor oder Elektromotor (Abb. 1, Pos. 1) treibt über den Keilriemen unter der Riemenabdeckung (2) die Hydraulikpumpe (3) an. Hydrauliköl fließt zum Hydraulikmotor (4) und bewegt dann den Kolben in der Materialförderpumpe (5) auf und ab.



Durch die Aufwärtsbewegung des Kolbens öffnet das Einlassventil selbstständig. Bei der Abwärtsbewegung des Kolbens öffnet das Auslassventil.

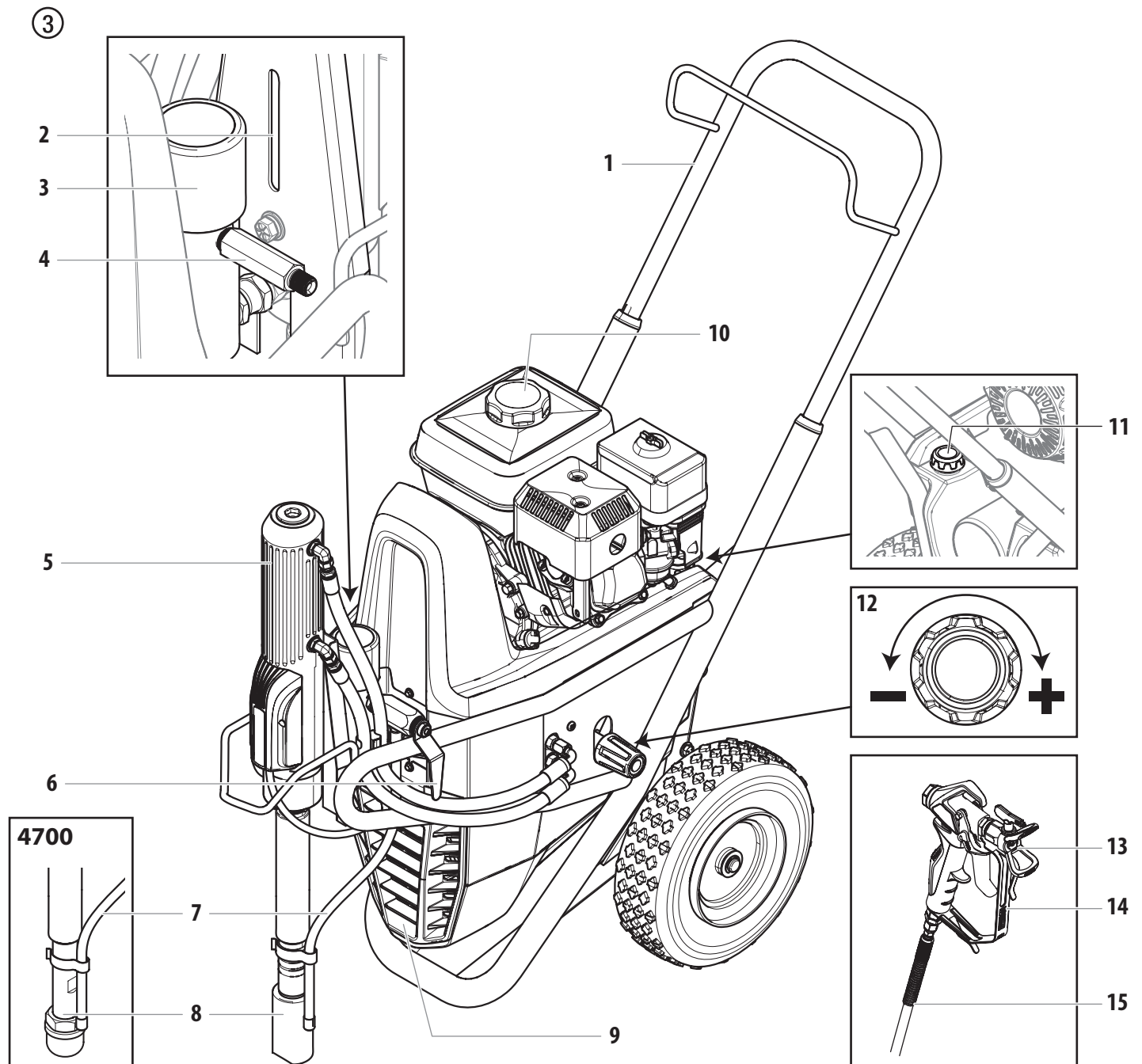
Der Beschichtungsstoff strömt unter hohem Druck durch den Hochdruckschlauch zur Spritzpistole. Bei Austritt aus der Düse zerstäubt der Beschichtungsstoff.

Das Druckregelventil (6) regelt die Fördermenge und den Betriebsdruck des Beschichtungsstoffs.





### 3.3 ERKLÄRUNGSBILD POWRBEAST-GERÄTE MIT BENZINMOTOR

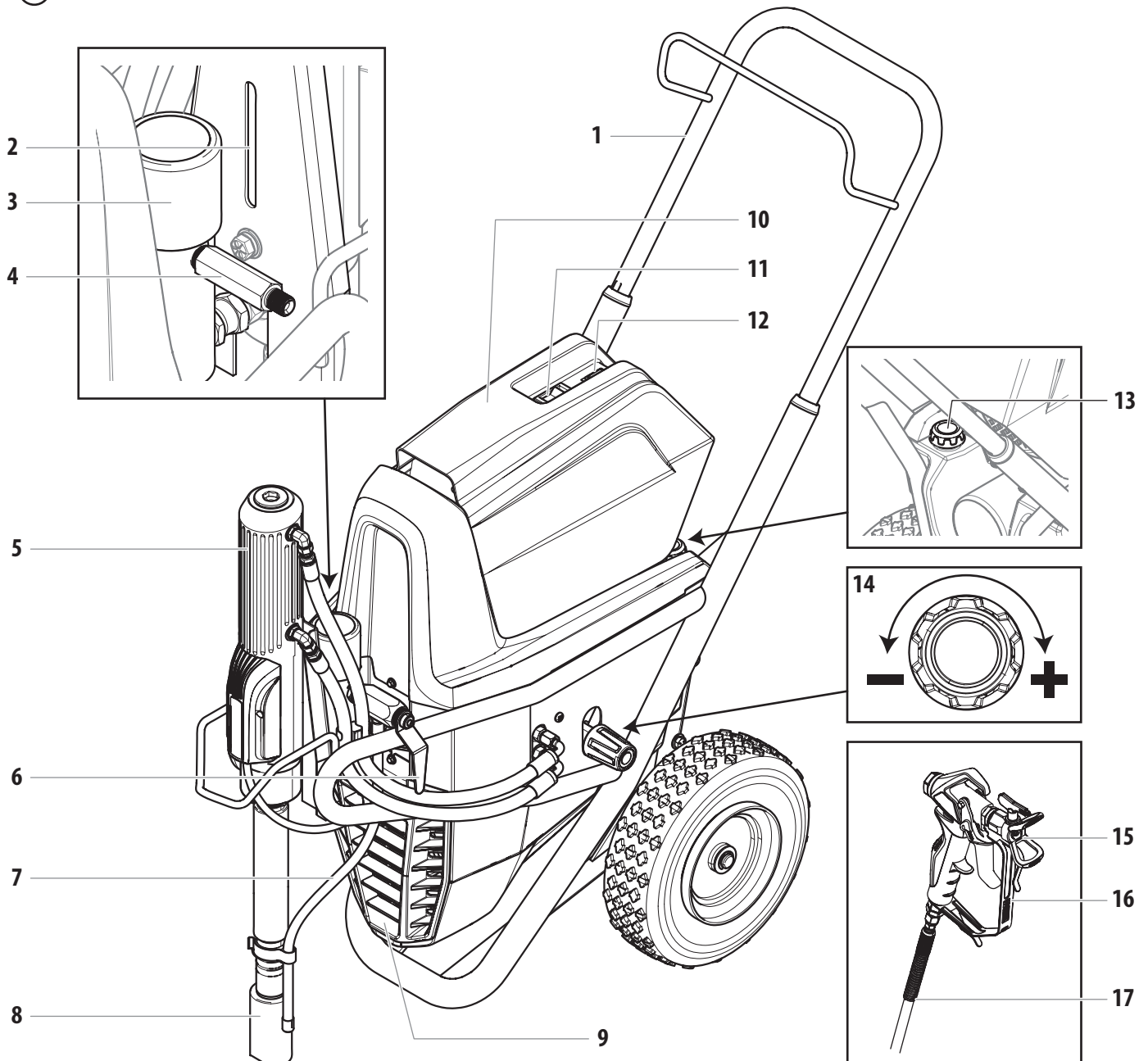
- |   |   |   |
|---|---|---|
| 1. Deichsel ausziehbar  | 6. Entlastungsventilhandgriff<br>Nach links drehen Zirkulation <br>Nach rechts drehen Spritzen  | 11. Ölmesstab                               |
| 2. Einfüllöffnung für Trennöl<br>(Trennöl verhindert erhöhten Verschleiß der Packungen) | 7. Rücklaufschlauch   | 12. Druckregulierknopf                      |
| 3. Hochdruckfilter  | 8. Ansaugschlauch   | 13. Düsenschutzvorrichtung mit Airless Düse |
| 4. Hochdruckschlauchauslass   | 9. Keilriemen unter der Riemenabdeckung   | 14. Spritzpistole                           |
| 5. Hydraulikmotor   | 10. Benzinmotor   | 15. Hochdruckschlauch                       |



### 3.4 ERKLÄRUNGSBILD POWRBEAST-GERÄTE MIT ELEKTROMOTOR

- |   |   |   |
|---|---|---|
| 1. Deichsel ausziehbar  | 6. Entlastungsventilhandgriff<br>Nach links drehen Zirkulation <br>Nach rechts drehen Spritzen  | 12. Kontrollleuchte zeigt Betriebsbereitschaft an |
| 2. Einfüllöffnung für Trennöl<br>(Trennöl verhindert erhöhten Verschleiß der Packungen) | 7. Rücklaufschlauch   | 13. Ölmesstab                                     |
| 3. Hochdruckfilter  | 8. Ansaugschlauch   | 14. Druckregulierknopf                            |
| 4. Hochdruckschlauchauslass   | 9. Keilriemen unter der Riemenabdeckung   | 15. Düsenschutzvorrichtung mit Airless Düse       |
| 5. Hydraulikmotor   | 10. Elektromotor  | 16. Spritzpistole                                 |
|   | 11. EIN/AUS-Schalter  | 17. Hochdruckschlauch                             |

④



## 3.5 TECHNISCHE DATEN

	PowrBeast 4700T (120V)	PowrBeast 4700 (120V)	PowrBeast 4700 (gas)	PowrBeast 7700 (230V)	PowrBeast 7700 (gas)	PowrBeast 9700 (gas)
<b>Benzinmotor, Leistung</b>						
	-----	-----	Honda GX160	-----	Honda GX200	Honda GX270
<b>Spannung</b>						
	~ 120V, 50/60 Hz	~ 120V, 50/60 Hz	-----	~ 230V, 50/60 Hz	-----	-----
<b>Aufnahmeleistung</b>						
	1,3 kW	1,3 kW	-----	3,1 kW	-----	-----
<b>Geräteanschlussleitung</b>						
	3 x 2,5 mm <sup>2</sup> – 6 m	3 x 2,5 mm <sup>2</sup> – 6 m	-----	3 x 2,5 mm <sup>2</sup> – 6 m	-----	-----
<b>Absicherung</b>						
	15 A	15 A	-----	15 A	-----	-----
<b>max. Betriebsdruck</b>						
	22,8 MPa (228 bar)	22,8 MPa (228 bar)	22,8 MPa (228 bar)	22,8 MPa (228 bar)	22,8 MPa (228 bar)	22,8 MPa (228 bar)
<b>max. Schalldruckpegel:</b>						
	80 dB (A)*	80 dB (A)*	92 dB (A)*	80 dB (A)*	92 dB (A)*	98 dB (A)*
<b>max. Düsendgröße mit einer Spritzpistole</b>						
1-Spritzpistole	0,035" – 0,89 mm	0,035" – 0,89 mm	0,041" – 1,04 mm	0,043" – 1,09 mm	0,047" – 1,19 mm	0,055" – 1,40 mm
2-Spritzpistole	0,023" – 0,58 mm	0,023" – 0,58 mm	0,029" – 0,73 mm	0,031" – 0,79 mm	0,033" – 0,84 mm	0,039" – 0,99 mm
3-Spritzpistole	0,019" – 0,48 mm	0,019" – 0,48 mm	0,021" – 0,53 mm	0,023" – 0,58 mm	0,027" – 0,68 mm	0,031" – 0,79 mm
4-Spritzpistole	-----	-----	0,019" – 0,48 mm	0,021" – 0,53 mm	0,023" – 0,58 mm	0,027" – 0,68 mm
<b>max. Volumenstrom</b>						
	4,75 l/min	4,75 l/min	6,00 l/min	6,00 l/min	7,60 l/min	11,4 l/min
<b>Gewicht</b>						
	85 kg	82 kg	78 kg	85 kg	81 kg	90 kg
<b>Ansaugsystem</b>						
	Tauchfähig	Standard	Standard	Tauchfähig	Tauchfähig	Tauchfähig
<b>max. Viskosität</b>						
	50.000 mPa·s				65.000 mPa·s	
<b>Abmessungen L x H x B</b>						
	117 x 64 x 112 cm					
<b>max. Temperatur des Beschichtungsstoffs</b>						
	43° C					
<b>Filtereinsatz (Standardausführung)</b>						
	-----	Filterfeinheit 50, 18 in <sup>2</sup>	Filterfeinheit 50, 18 in <sup>2</sup>	Filterfeinheit 50, 18 in <sup>2</sup>	Filterfeinheit 50, 18 in <sup>2</sup>	Filterfeinheit 5, 18 in <sup>2</sup>
<b>Hydrauliköl-Füllmenge</b>						
	5,9 l (1,56 gal) CoolFlo					
<b>max. Reifendruck</b>						
	0,2 MPa (2 bar, 30 psi)					
<b>Spezial-Hochdruckschlauch</b>						
	DN 10 mm, 15 m, Anschlussgewinde NPSM 1/4	DN 6 mm, 15 m, Anschlussgewinde NPSM 1/4				

\* Messort: Abstand 1 m seitlich vom Gerät und 1,60 m über schallhartem Boden, 12 MPa (120 bar) Betriebsdruck.

**BETRIEBSTEMPERATUR**

Dieses Gerät funktioniert einwandfrei in seiner für ihn vorgesehen Raumtemperatur zwischen +10°C und +40°C.

**RELATIVE FEUCHTIGKEIT**

Das Gerät funktioniert in einem Umfeld mit einer relativen Feuchtigkeit von 50%, bei +40°C einwandfrei. Eine höhere relative Feuchtigkeit stellt bei niedrigeren Temperaturen kein Problem dar.

Der Käufer des Geräts muss Maßnahmen ergreifen, um die schädigenden Auswirkungen der gelegentlichen Kondensation zu vermeiden.

**HÖHE**

Dieses Gerät funktioniert in einer Höhe von bis zu 2100m über n.n. einwandfrei.

**TRANSPORT UND AUFBEWAHRUNG**

Dieses Gerät hält Transport- bzw. Aufbewahrungstemperaturen von -25°C bis + 55°C, kurzzeitig auch bis zu +70°C, stand bzw. ist dagegen geschützt.

Es wurde so verpackt, dass es Beschädigungen durch die Auswirkungen von normaler Feuchtigkeit, Erschütterungen und Stößen standhält.

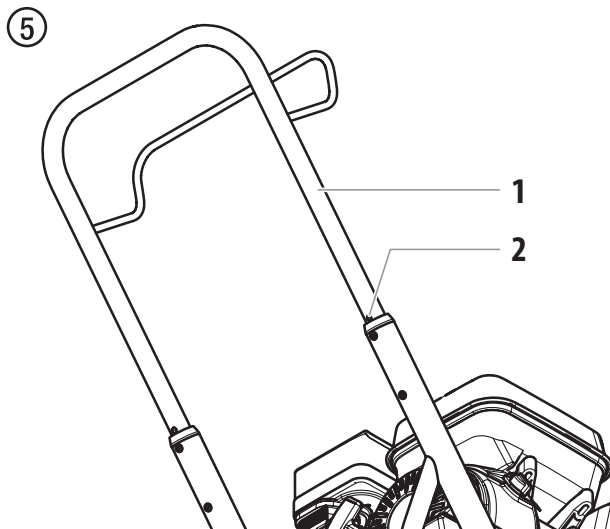
**3.6 TRANSPORT**

**TRANSPORT IM FAHRZEUG**

Gerät mit geeignetem Befestigungsmittel sichern.

**GERÄT SCHIEBEN ODER ZIEHEN**

Handgriff (Abb. 5, Pos. 1) bis zum Anschlag herausziehen. Handgriff einfahren – Druckknöpfe (2) an den Holmen eindrücken, dann Handgriff einfahren.

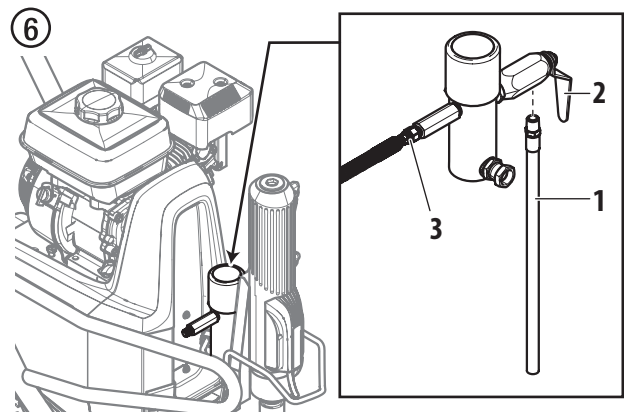


**4 BEDIENUNG**

	<p>Diese Komponente produziert einen Flüssigkeitsstrom bei extrem hohem Druck. Lesen und verstehen Sie die Hinweise im Abschnitt über die Sicherheitsvorkehrungen am Anfang dieses Handbuches, bevor Sie dieses Gerät benutzen.</p>
--	---

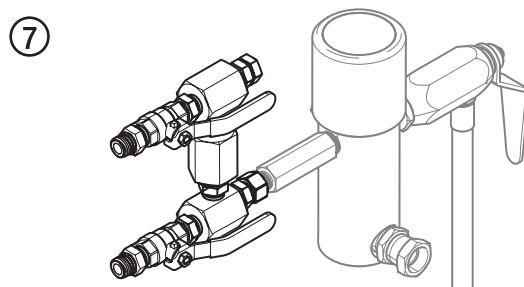
**4.1 EINRICHTUNG**

1. Achten Sie darauf, dass der Entlüftungsschlauch (Abb. 6, Pos. 1) an das Entlüftungsventil (2) geschraubt ist. Es verfügt über ein werkseitig installiertes PTFE-band am Beschlag und muss mit einem Schraubenschlüssel festgezogen werden.
2. Schließen Sie einen mindestens 15 m langen Airless Spritzschlauch aus Nylon an das Spritzgerät an. Verwenden Sie kein PTFE-band bzw. Gewindedichtungsmittel auf der Spritzschlauchverbindung.




3. Schließen Sie ein Airless Hochdruck-Spritzgerät an den Spritzschlauch an. Setzen Sie die Spitze noch nicht auf die Spritzpistole. Entfernen Sie die Spitze, wenn diese bereits angebracht ist.

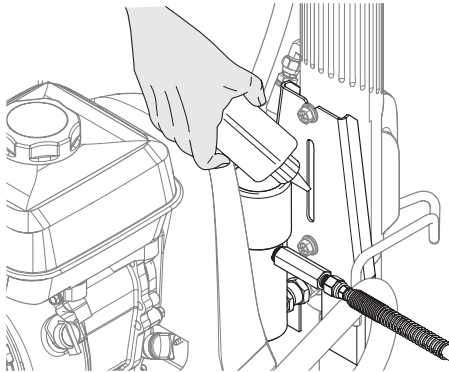
	<p>Bei Mehrpistolenbetrieb ist ein Mehrfachverteiler an einen einzelnen Pistolenauslass anzuschließen. Schließen Sie einen Schlauch und eine Pistole an jeden Auslass an. Achten Sie darauf, dass der zweite Pistolenauslass verschlossen ist. Befolgen Sie die "Technischen Daten" in Abschnitt 3,5, um die Anzahl der Pistolen sowie die maximale Größe der Spritzdüse festzulegen.</p>
--	---




- Die Ölschale zur Hälfte mit Piston Lube (Bestell-Nr. 314-480) füllen. Dadurch verlängert sich die Nutzungsdauer der Packungsdichtung.

 <b>Achtung</b>	Piston Lube verhindert erhöhten Verschleiss der Packungen.
---	--

8




- Die Stand der Hydraulikflüssigkeit täglich vor Inbetriebnahme des Spritzgeräts überprüfen. Der Hydraulikflüssigkeitspegel sollte den Messstab unten berühren. Wartungsanleitungen für die Hydraulik finden Sie im Wartungsabschnitt dieses Handbuchs.


 <b>Achtung</b>	Für die Hydraulikanlage das von Titan Coolflo zugelassene Hydraulikfluid (Bestell-Nr. 430-361) verwenden. Keine anderen Hydraulikflüssigkeiten verwenden. Bei Verwendung anderer Hydraulikflüssigkeiten kann die Hydraulikanlage schwere Schäden erleiden, und die Garantie erlischt.
---	---

- Benzinmotor - Den Motorölstand täglich vor Inbetriebnahme des Spritzgeräts kontrollieren. Der Ölstand im Benzinmotor wird vom Motorhersteller festgelegt. Weitere Informationen finden Sie in der Bedienanleitung des Motorherstellers, die mit diesem Spritzgerät geliefert wurde.
- Verwenden Sie bei elektrischen Modellen einen 15 Amper Stromanschluss. Das elektrische Modell muss stets in einer Entfernung von 3 bis 4,5 m zum Stromanschluss stehen. Verwenden Sie ein kurzes Stromkabel und einen langen Farbschlauch. Verlängerungskabel verursachen einen Spannungsabfall. Wenn ein Verlängerungskabel erforderlich ist, darf nur ein geerdetes 3-drahtiges #12 Verlängerungskabel verwendet werden.

- Das Spritzgerät muss geerdet sein. Alle Spritzgeräte sind mit einer Erdschraube versehen. Das Spritzgerät sollte mit einem Erdkabel mit einer guten Erde verbunden werden. Detaillierte Anweisungen zur Erdung finden Sie in den vor Ort geltenden Elektroschaltvorschriften.

	Eine richtige Erdung ist sehr wichtig. Dies gilt sowohl für Benzin- als auch für elektrisch betriebene Geräte. Beim Transport bestimmter Medien durch den Nylonschlauch entsteht eine elektrostatische Aufladung, die bei einer Entladung Lösungsmitteldämpfe entzünden und eine Explosion verursachen könnte.
---	--

- Alle Farben mit einem Nylonvorfilter filtern, um einen problemfreien Betrieb sicherzustellen und eine häufige Reinigung des Zulaufsiebs und des Spritzpistolenfilters zu vermeiden.
- Der Arbeitsbereich muss gut belüftet sein, um den gefährlichen Betrieb mit flüchtigen Lösungsmitteln oder Abgasen zu vermeiden.

	Muss ein Lack bzw. entzündbare Materialien gespritzt werden, muss das Spritzgerät IMMER außerhalb des unmittelbaren Spritzbereichs stehen. Bei nicht Einhaltung besteht Explosionsgefahr.
--	---

- Positionieren Sie das Spritzgerät außerhalb des unmittelbaren Spritzbereichs, um zu vermeiden, dass der Lufteinlass des Motors durch Farbspritzer verstopft wird.

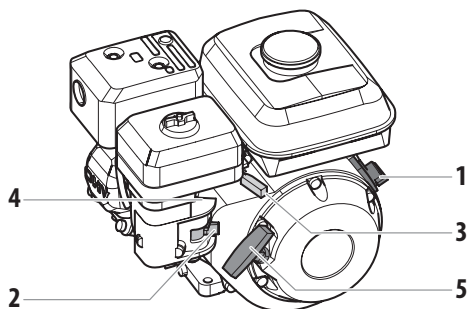
## 4.2 START DES BENZINMOTORS (BENZINMODELLE)



Befolgen Sie die folgenden Anweisungen, wenn Sie in diesem Handbuch für das Anlassen des Motors dazu aufgefordert werden.

1. Den Hebel für das Benzinventil (Abb. 9, pos. 2) öffnen.
2. Drosselklappe (3) auf Mitte einstellen.
3. Den Choke hebel (4) bei kaltem Motor in die geschlossene oder bei warmem Motor in die offene Stellung bringen,
4. Den Motorschalter (1) in die Stellung ON (Ein) drehen.
5. Ruckartig an der Anlasserleine (5) ziehen, bis der Motor anspringt.

⑨



Wenn der Choke-Hebel (4) in die geschlossene Position bewegt wurde, um den Motor anzulassen, muss dieser wieder geöffnet werden, sobald der Motor läuft.

## 4.3 VORBEREITUNG EINES NEUEN SPRITZGERÄTS



Ist das Spritzgerät neu, wird es mit Testflüssigkeit im Flüssigkeitsbehälter ausgeliefert, um eine Korrosion während der Lieferung und Lagerung zu vermeiden. Diese Testflüssigkeit muss mit Spiritus gründlich aus dem System entfernt werden, bevor mit den Spritzarbeiten begonnen wird.



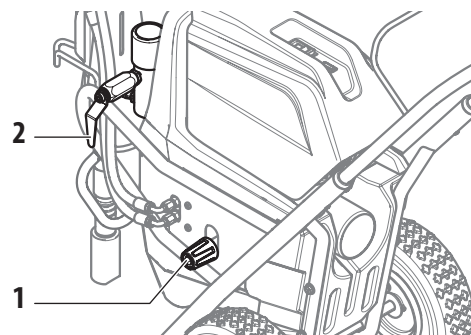
**Achtung**

Den Auslöser der Spritzpistole stets verriegelt lassen, während das System auf die Inbetriebnahme vorbereitet wird. Siehe Benutzerhandbuch Spritzpistole bezüglich der Abzugsverriegelung.

1. Das den Ansaugschlauch in einen Behälter mit Spiritus hängen.



2. Den Ablassschlauch in einen Metallabfallbehälter hängen.
3. Den Druck auf Minimum einstellen. Dazu den Druckreglerknopf (Abb. 10, Pos. 1) ganz nach links drehen.
4. Das Ablassventil (3) ganz nach links drehen, um es zu öffnen.

⑩

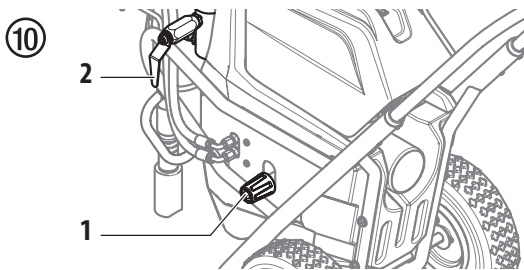


5. Benzinmotor starten oder Elektromotor starten.
  - a. Befolgen Sie die in Abschnitt 4.2 beschriebenen Schritte, um den Benzinmotor anzulassen.
  - b. Um den Elektromotor anzulassen, drücken und halten Sie den Schalter EIN/AUS in der Position EIN, bis der Elektromotor die volle Drehzahl erreicht hat, dann lassen Sie den Schalter los.
6. Den Druckreglerknopf (Abb. 10, Pos. 1) etwa ein Drittel nach rechts drehen, um den Druck zu erhöhen, bis das Spritzgerät gleichmäßig arbeitet und aus dem Ablassschlauch Lösungsmittel austritt.
7. Das Spritzgerät 15–30 Sekunden laufen lassen, um die Testflüssigkeit aus dem Ablassschlauch zu spülen und in den Abfallbehälter zu entleeren.
8. Das Spritzgerät abschalten.
  - a. Zum Ausschalten des Benzinmotors
    - den Druck auf Minimum einstellen. Dazu den Druckreglerknopf ganz nach links drehen.
    - den Drosselklappenhebel in die Position für niedrige Drehzahl bringen und
    - den Motorschalter in die Stellung OFF (Aus) drehen.
  - b. Um den elektrischen Motor abzuschalten,
    - den Druck auf Minimum einstellen. Dazu den Druckreglerknopf ganz nach links drehen.
    - stellen Sie den EIN/AUS-Knopf auf AUS.

### 4.4 VORBEREITUNG DER FARBE


	<p>Vor der Farbgebung muss kontrolliert werden, ob die Flüssigkeit in dem System kompatibel mit der Farbe ist, die verwendet werden soll.</p> <p>Wenn Flüssigkeit und Farbe inkompatibel sind, können die Ventile verkleben, so dass der Flüssigkeitsbehälter des Spritzgeräts zerlegt und gereinigt werden muss.</p>
 <b>Achtung</b>	<p>Den Auslöser der Spritzpistole stets verriegelt lassen, während das System auf die Inbetriebnahme vorbereitet wird. Siehe Benutzerhandbuch Spritzpistole bezüglich der Abzugsverriegelung.</p>

1. Das den Ansaugschlauch in einen Behälter mit dem geeigneten Lösungsmittel hängen.
2. Den Ablassschlauch in einen Metallabfallbehälter hängen.
3. Den Druck auf Minimum einstellen (Abb. 10, Pos. 1). Dazu den Druckreglerknopf ganz nach links drehen.
4. Das Ablassventil (2) ganz nach links drehen, um es zu öffnen.




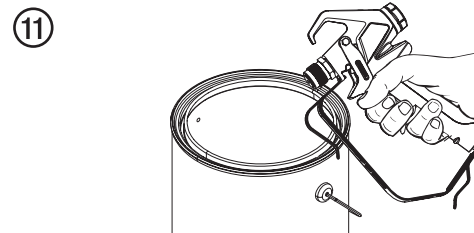
5. Benzinmotor starten oder Elektromotor starten.
  - a. Befolgen Sie die in Abschnitt 4.2 beschriebenen Schritte, um den Benzinmotor anzulassen.
  - b. Um den Elektromotor anzulassen, drücken und halten Sie den Schalter EIN/AUS in der Position EIN, bis der Elektromotor die volle Drehzahl erreicht hat, dann lassen Sie den Schalter los.
6. Den Druckreglerknopf (Abb. 10, Pos. 1) etwa ein Drittel nach rechts drehen, um den Druck zu erhöhen, bis das Spritzgerät gleichmäßig arbeitet und aus dem Ablassschlauch Lösungsmittel austritt.
7. Das Spritzgerät 15–30 Sekunden laufen lassen, um die Testflüssigkeit aus dem Ablassschlauch zu spülen und in den Abfallbehälter zu entleeren.
8. Das Spritzgerät abschalten.
  - a. Zum Ausschalten des Benzinmotors
    - den Druck auf Minimum einstellen. Dazu den Druckreglerknopf ganz nach links drehen.
    - den Drosselklappenhebel in die Position für niedrige Drehzahl bringen und
    - den Motorschalter in die Stellung OFF (Aus) drehen.
  - b. Um den elektrischen Motor abzuschalten,
    - den Druck auf Minimum einstellen. Dazu den Druckreglerknopf ganz nach links drehen.

- stellen Sie den EIN/AUS-Knopf auf AUS.


	<p>Die Spritzpistole darf noch nicht mit einem Düsensschutz oder einer Düse versehen sein.</p>
---	--

9. Schliessen Sie das Ablassventil, indem Sie es voll im Uhrzeigersinn drehen.
10. Benzinmotor starten oder Elektromotor starten.
11. Den Druckreglerknopf etwa ein Drittel nach rechts drehen, um den Druck zu erhöhen.
12. Die Spritzpistole entriegeln. Dazu die Verriegelung des Spritzpistolenauslösers in die entriegelte Stellung bringen.

	<p>Die Spritzpistole gegen die Kante eines Metallbehälters drücken, um sie während der Spülung zu erden. Anderenfalls können sich elektrostatische Aufladungen bilden, die Brände verursachen können.</p>
---	---



13. Die ausgelöste Spritzpistole in einen Metallabfallbehälter halten, bis das alte Lösungsmittel entfernt ist und frisches Lösungsmittel austritt.
14. Verriegeln Sie die Pistole durch Drehen der Abzugsverriegelung in die verriegelte Position (siehe Handbuch Spritzpistole).
15. Die Spritzpistole nach unten halten und den Druck mit dem Druckreglerknopf vorsichtig durch Drehen nach rechts erhöhen.
16. Die gesamte Anlage auf Leckstellen kontrollieren. Werden Leckstellen festgestellt, die Schritte zur „Druckentlastung“, wie in dieser Bedienanleitung beschrieben, ausführen, bevor Schläuche oder Verschraubungen festgezogen werden.
17. Vor dem Wechsel von Lösungsmittel auf Farbe die in dieser Bedienanleitung beschriebenen Schritte zur „Druckentlastung“ (Section 4.6) ausführen.

	<p>Wird der Druck höher eingestellt, als zur Zerstäubung der Farbe erforderlich ist, kommt es zu vorzeitigem Düsenverschleiß und zu einem Übersprühen.</p>
---	--



## 4.5 FARBGEBUNG

1. Das den Ansaugschlauch in einen Farbbehälter hängen.
2. Den Ablassschlauch in einen Metallabfallbehälter hängen.
3. Den Druck auf Minimum einstellen (Abb. 10, Pos. 1). Dazu den Druckreglerknopf ganz nach links drehen.
4. Das Ablassventil (2) ganz nach links drehen, um es zu öffnen.
5. Benzinmotor starten oder Elektromotor starten.
  - a. Befolgen Sie die in Abschnitt 4.2 beschriebenen Schritte, um den Benzinmotor anzulassen.
  - b. Um den Elektromotor anzulassen, drücken und halten Sie den Schalter EIN/AUS in der Position EIN, bis der Elektromotor die volle Drehzahl erreicht hat, dann lassen Sie den Schalter los.
6. Den Druckreglerknopf etwa ein Drittel nach rechts drehen, um den Druck zu erhöhen, bis das Spritzgerät gleichmäßig arbeitet und aus dem Ablassschlauch Farbe austritt.
7. Das Spritzgerät abschalten.
  - a. Zum Ausschalten des Benzinmotors
    - den Druck auf Minimum einstellen. Dazu den Druckreglerknopf ganz nach links drehen.
    - den Drosselklappenhebel in die Position für niedrige Drehzahl bringen und
    - den Motorschalter in die Stellung OFF (Aus) drehen.
  - b. Um den elektrischen Motor abzuschalten,
    - den Druck auf Minimum einstellen. Dazu den Druckreglerknopf ganz nach links drehen.
    - stellen Sie den EIN/AUS-Knopf auf AUS.
8. Den Ablassschlauch aus dem Abfallbehälter nehmen und in den Farbbehälter hängen.
9. Das Ablassventil ganz nach rechts drehen
10. Benzinmotor starten oder Elektromotor starten.
11. Den Druckreglerknopf etwa ein Drittel nach rechts drehen, um den Druck zu erhöhen.
12. Die Spritzpistole entriegeln. Dazu die Verriegelung des Spritzpistolenauslösers in die entriegelte Stellung bringen.



Die Spritzpistole gegen die Kante eines Metallbehälters drücken, um sie während der Spülung zu erden. Anderenfalls können sich elektrostatische Aufladungen bilden, die Brände verursachen können.

13. Die Spritzpistole in einen Metallabfallbehälter halten und betätigen, bis Lösungsmittel und Luft komplett aus dem Sprühschlauch entfernt sind und die Farbe aus der Spritzpistole austritt.
14. Die Spritzpistole verriegeln. Dazu die Verriegelung des Spritz-pistolenauslösers in die verriegelte Stellung bringen.
15. Das Spritzgerät abschalten.
16. Den Düsenschutz und die Düse an der Spritzpistole anbauen. Dabei die Hinweise in den Bedienanleitungen für Düsenschutz und Düse beachten.



GEFAHR EINER FLÜSSIGKEITSINJEKTION Keine Spritzarbeiten ohne den Düsenschutz durchführen. Den Auslöser der Spritzpistole nur betätigen, wenn der Düsenschutz entweder in der Spritzposition oder in der Position zur Düsenreinigung steht. Den Spritzpistolenauslöser immer verriegeln, bevor die Düse entfernt, ersetzt oder gereinigt wird.

17. Benzinmotor starten oder Elektromotor starten.
18. Den Druck durch langsames Drehen des Druckreglerknopfes nach rechts erhöhen und das Sprühmuster auf einem Stück Pappe kontrollieren. Den Druckreglerknopf so einstellen, dass die Spritzflüssigkeit vollkommen zerstäubt wird.



Wird der Druck höher eingestellt, als zur Zerstäubung der Farbe erforderlich ist, kommt es zu vorzeitigem Düsenverschleiß und zu einem Übersprühen.

## 4.6 VORGEHENSWEISE BEI DRUCKENTLASTUNG



Bei Außerbetriebnahme des Spritzgeräts die Schritte für die Druckentlastung genau einhalten. Dies gilt auch für die Einstellung von Teilen oder Wartungsarbeiten an Teilen der Spritzanlage, für die Reinigung oder den Wechsel von Sprühdüsen und für die Vorbereitung auf die Reinigung.

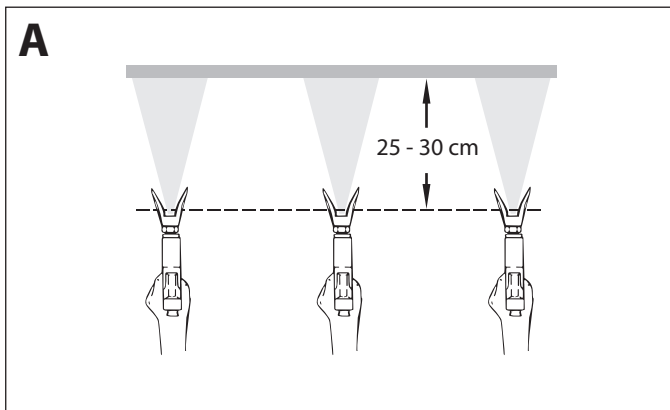
1. Die Spritzpistole verriegeln. Dazu den Spritzpistolenauslöser in die verriegelte Stellung bringen.
2. Das Spritzgerät abschalten.
  - a. Zum Ausschalten des Benzinmotors
    - den Druck auf Minimum einstellen. Dazu den Druckreglerknopf ganz nach links drehen.
    - den Drosselklappenhebel in die Position für niedrige Drehzahl bringen und
    - den Motorschalter in die Stellung OFF (Aus) drehen.
  - b. Um den elektrischen Motor abzuschalten,
    - den Druck auf Minimum einstellen. Dazu den Druckreglerknopf ganz nach links drehen.
    - stellen Sie den EIN/AUS-Knopf auf AUS.
3. Die Spritzpistole entriegeln. Dazu die Verriegelung des Spritzpistolenauslösers in die entriegelte Stellung bringen (siehe Handbuch Spritzpistole).
4. Das Metallteil der Spritzpistole fest auf die Seitenwand eines Metallabfallbehälters drücken, um die Spritzpistole zu erden und elektrostatische Aufladungen zu vermeiden.
5. Den Auslöser der Spritzpistole drücken, um eventuell noch im Schlauch vorhandenen Druck abzubauen.
6. Die Spritzpistole verriegeln. Dazu die Verriegelung des Spritzpistolenauslösers in die verriegelte Stellung bringen (siehe Handbuch Spritzpistole).
7. Den Ablassschlauch in den Metallabfallbehälter hängen.
8. Das Ablassventil ganz nach links drehen, um es zu öffnen.

## 5 SPRITZTECHNIK

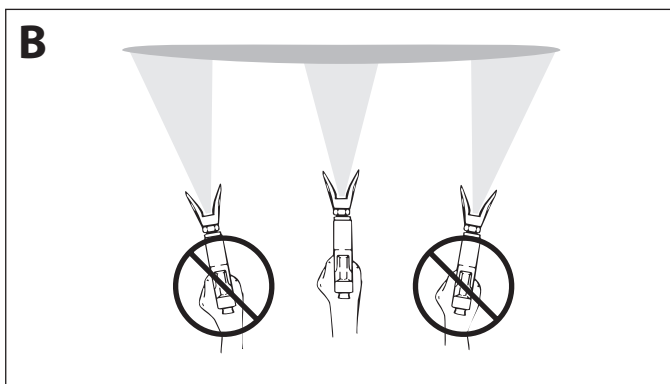


Injektionsgefahr. Nicht ohne richtig montierten Düsenschutz spritzen. Spritzpistolenabzug NIE drücken ohne dass die Düse vollständig auf die Spritz- oder Entstopfungsposition gesetzt ist. Spritzpistolenabzugsschloß IMMER vor Entfernung, Ersetzung, oder Reinigung der Düse drücken.

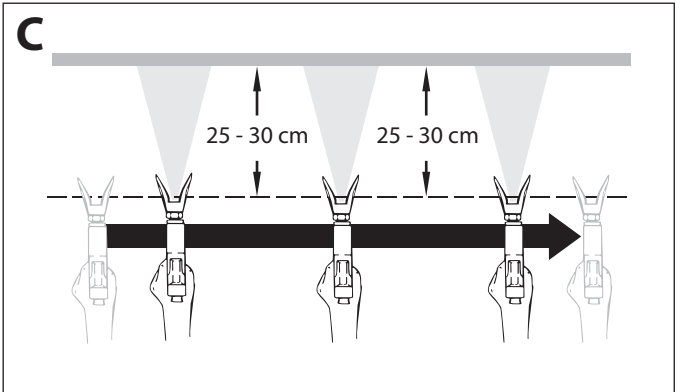
- A) Der Schlüssel zu einer guten Malarbeit ist gleichmäßiges Anstreichen der ganzen Oberfläche. Bewegen sie Ihren Arm mit gleicher Geschwindigkeit und halten Sie die Spritzpistole auf gleichen Abstand von der Oberfläche entfernt. Der beste Spritzabstand beträgt 25 - 30 cm zwischen der Spritzdüse und der Oberfläche.



- B) Halten Sie die Spritzpistole parallel zur Oberfläche. Dies bedeutet, Sie müssen Ihren ganzen Arm, anstatt nur das Handgelenk, hin- und herbewegen. Halten Sie die Spritzpistole senkrecht zur Oberfläche; sonst wird ein Teil der Auftragsfläche dicker als bei anderen Teilen angestrichen.



- C) Spritzpistolenabzug nach Anfang der Armbewegung drücken. Abzug vor Beenden der Bewegung loslassen. Die Spritzpistole soll sich beim Ziehen und Loslassen des Abzugs in Bewegung befinden. Überdecken Sie jeden Anstrich bei etwa 30%. Dies trägt zum gleichmäßigen Auftragen des Anstrichmaterials bei.



Beim Auftreten sehr scharfer Randzonen und Streifen im Spritzstrahl – Betriebsdruck erhöhen oder Beschichtungsstoff verdünnen.

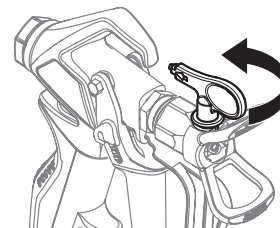
### 5.1 EINE VERSTOPFTE DÜSE REINIGEN



Ist die Applikation verzerrt bzw. tritt gar kein Material mehr aus, wenn der Abzug betätigt wird, ist wie folgt vorzugehen.

1. Entlastungsventil öffnen, Ventilstellung PRIME (↻ Zirkulation).
2. Wenn die Düse verstopft ist, rotieren Sie den Düsenhalter um 180° bis der Pfeil auf dem Halter in die gegengesetzte Richtung zur Spritzrichtung zeigt und der Halter in die umgekehrte Position einklinkt (Abb. 12).
3. Entlastungsventil schließen, Ventilstellung SPRAY (↖ Spritzen).

12





4. Lösen Sie die Spritzpistole einmal aus, so dass der Luftdruck die Verstopfung ausblasen kann. Lösen Sie die Spritzpistole in der umgekehrten Position NIEMALS mehr als EINMAL kurz aus. Diese Prozedur kann so oft wiederholt werden, bis die Düse nicht mehr verstopft ist.





Der Ausfluss aus der Spritzdüse geschieht unter hohem Druck. Kontakt zu einem Körperteil kann gefährlich sein. Keinen Finger an die Düse legen. Die Spritzpistole nie auf eine Person richten. Die Spritzpistole nie ohne die richtige Düsen-Schutzabdeckung bedienen.



## 5.2 ARBEITSUNTERBRECHUNG

	<p>Befolgen Sie die folgenden Schritte, wenn Sie die Arbeiten für bis zu 20 Stunden unterbrechen. Diese Vorgehensweise gilt nur, wenn Sie Sprays auf Basis von Latex oder Wasser verwenden.</p>
	<p>Wenn Sie nur den Materialbehälter austauschen, drehen Sie den Druckregler komplett gegen den Uhrzeigersinn auf die Mindesteinstellung, bevor Sie den Materialbehälter auswechseln. Drehen Sie den Druckregler im Uhrzeigersinn auf die vorherige Position, wenn Sie mit dem Sprühen fortfahren möchten.</p>

1. Die in dieser Bedienanleitung im Abschnitt Betrieb beschriebenen Schritte zur „Druckentlastung“ ausführen (Abschnitt 4.6).
2. Legen Sie die Spritzpistole in eine Plastiktüte oder in einen mit Wasser gefüllten Eimer.
3. Je nach Ausführung Ansaugschlauch und Rücklaufschlauch im Beschichtungsstoff eingetaucht lassen oder in ein entsprechendes Reinigungsmittel einschwenken oder eintauchen.
4. Decken Sie das Beschichtungsmaterial mit Kunststoff ab und stellen das Gerät an einen kühlen, dunklen Ort, damit das Material nicht austrocknet.

 <p><b>Achtung</b></p>	<p>Beim Einsatz von schnelltrocknenden – oder Zweikomponenten-Beschichtungsstoff, Gerät unbedingt innerhalb der Verarbeitungszeit mit geeignetem Reinigungsmittel durchspülen</p>
	<p>Entfernen Sie die Kunststoffabdeckung vom Materialbehälter, wenn Sie wieder Spritzarbeiten durchführen möchten, und befolgen Sie die Schritte in Abschnitt 4.5.</p>

## 5.3 HANDHABUNG DES HOCHDRUCKSCHLAUCHES




	<p>Dieses Gerät ist mit einem Hochdruckschlauch ausgestattet, der sich speziell für Airless-Pumpen eignet.</p>
	<p>Verletzungsgefahr durch undichten Hochdruckschlauch. Beschädigten Hochdruckschlauch sofort ersetzen. Niemals defekten Hochdruckschlauch selbst reparieren!</p>

Der Hochdruckschlauch ist sorgsam zu behandeln. Scharfes Biegen oder Knicken vermeiden, kleinster Biegeradius etwa 20 cm.



Hochdruckschlauch nicht überfahren, sowie vor scharfen Gegenständen und Kanten schützen.

Niemals am Hochdruckschlauch ziehen, um das Gerät zu bewegen.

Darauf achten, dass der Hochdruckschlauch sich nicht verdreht. Durch Verwendung einer Titan Spritzpistole mit Drehgelenk und einer Schlauchtrommel kann dies verhindert werden.

	<p>Für die Handhabung des Hochdruckschlauches bei der Arbeit am Gerüst hat sich als am Vorteilhaftesten erwiesen, den Schlauch stets an der Außenseite des Gerüsts zu führen.</p>
	<p>Bei alten Hochdruckschläuchen steigt das Risiko von Beschädigungen. Titan empfiehlt den Hochdruckschlauch nach 6 Jahren auszutauschen.</p>
	<p>Aus Gründen der Funktion, Sicherheit und Lebensdauer nur TITAN Original-Hochdruckschläuche verwenden.</p>

## 6 REINIGUNG


 <p><b>Achtung</b></p>	<p>Das Spritzgerät, der Schlauch und die Spritzpistole müssen jeden Tag gründlich gereinigt werden, Geschieht dies nicht, kann sich die Farbe absetzen und die Leistung des Gerätes erheblich beeinträchtigen.</p>
	<p>Immer mit möglichst niedrigem Druck sprühen, wenn der Düsenschutz der Spritzpistole abgebaut ist und das Spritzgerät, der Schlauch oder die Spritzpistole mit Spiritus oder anderen Lösungsmittel gereinigt werden. Elektrostatische Aufladungen können zu Bränden oder Explosionen führen, wenn entzündliche Dämpfe vorhanden sind.</p>

### 6.1 BESONDERE REINIGUNGSHINWEISE BEI VERWENDUNG ENTFLAMMBARER LÖSUNGSMITTEL


- Die Spritzpistole stets im Freien und möglichst eine Schlauchlänge von der Sprühpumpe entfernt spülen.
- Werden die zur Spülung verwendeten Lösungsmittel in einem Metallbehälter von etwa 4 l Fassungsvermögen aufgefangen, diesen in einen Behälter mit einem Fassungsvermögen von etwa 20 l stellen und erst dann weiter spülen.
- Im Arbeitsbereich dürfen sich keine entzündlichen Dämpfe sammeln.
- Alle Reinigungshinweise beachten.

### 6.2 REINIGUNG DES SPRITZGERÄTS


1. Die in dieser Bedienanleitung im Abschnitt Betrieb beschriebenen Schritte zur „Druckentlastung“ ausführen (Abschnitt 4.6).
2. Düse und Düsenschutz abbauen und mit einem Pinsel und einem geeigneten Lösungsmittel reinigen.
3. Das den Syphonschlauch in einen Behälter mit dem geeigneten Lösungsmittel hängen.

 <p><b>Achtung</b></p>	<p>Bei der Entfernung von Lackfarben auf Ölbasis, Lacken, Steinkohlenteer und Epoxidharzen nur kompatible Lösungsmittel verwenden. Lassen Sie sich vom Hersteller ein geeignetes Lösungsmittel empfehlen.</p>
---	---


4. Den Ablassschlauch in einen Metallabfallbehälter hängen.
5. Den Druck auf Minimum einstellen. Dazu den Druckreglerknopf ganz nach links drehen.
6. Das Ablassventil ganz nach links drehen, um es zu öffnen.
7. Benzinmotor starten oder Elektromotor starten.
8. Das Lösungsmittel durch das Spritzgerät zirkulieren lassen und die Farbe über den Ablassschlauch in einen Metallabfallbehälter entleeren und spülen.
9. Das Spritzgerät abschalten.
10. Das Ablassventil ganz nach rechts drehen.
11. Benzinmotor starten oder Elektromotor starten.

	<p>Die Spritzpistole gegen die Kante eines Metallbehälters drücken, um sie während der Spülung zu erden. Anderenfalls können sich elektrostatische Aufladungen bilden, die Brände verursachen können.</p>
---	---



12. Die ausgelöste Spritzpistole in den Metallabfallbehälter halten und betätigen, bis die Farbe aus dem Schlauch gespült ist und nur noch Lösungsmittel aus der Spritzpistole austritt.
13. Die ausgelöste Spritzpistole weiter in den Abfallbehälter halten, bis nur noch sauberes Lösungsmittel aus der Spritzpistole austritt.

	<p>Bei einer langfristigen Lagerung bei kaltem Wetter oder bei Aussetzung gegenüber Gefriertemperaturen, pumpen Sie Lösungsbenzin durch das gesamte System.</p> <p>Bei einer kurzfristigen Lagerung, die bei Verwendung von Latexfarbe keinen Gefriertemperaturen ausgesetzt ist, pumpen Sie mit Titan Liquid Shield gemischtes Wasser durch das gesamte System (Anweisungen zur Verdünnung finden Sie im Abschnitt Zubehör in diesem Handbuch für die Teilenummer und das Produktetikett).</p>
---	---

14. Vor dem Wechsel von Lösungsmittel auf Farbe die in dieser Bedienanleitung beschriebenen Schritte zur „Vorgehensweise bei Druckentlastung“ ausführen.
15. Das Sprühgerät an einem trockenen, sauberen Ort aufbewahren.

 <p><b>Achtung</b></p>	<p>Das Spritzgerät nicht unter Druck lagern.</p>
---	--

### 6.3 GERÄTEREINIGUNG VON AUSSEN

	<p>Elektromodelle - sicherstellen, dass das Netzkabel ausgezogen ist, um Stromschläge zu vermeiden.</p>
 <p><b>Achtung</b></p>	<p>Kurzschlussgefahr durch eindringendes Wasser! Gerät niemals mit Hochdruck- oder Dampf Hochdruckreiniger abspritzen. Hochdruckschlauch nicht in Lösemittel einlegen. Außenseite nur mit einem getränkten Tuch abwischen.</p>

Gerät außen mit einem in geeignetem Reinigungsmittel getränkten Tuch abwischen.

## 6.4 DEN STEINFÄNGER REINIGEN ANSAUGFILTER

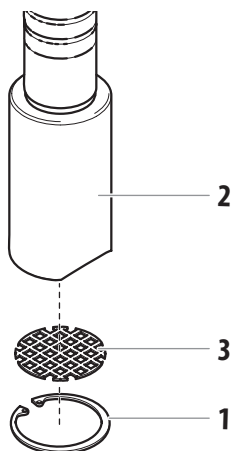


Ein sauberer Ansaugfilter gewährleistet stets maximale Fördermenge, konstanten Spritzdruck und einwandfreies Funktionieren des Gerätes.

### TAUCHBARES ANSAUGSYSTEM

1. Der Steinfänger wird verstopft und muss mindestens einmal täglich gereinigt werden.
2. Entfernen Sie den Haltering (Abb. 13, Pos. 1) vom Fußventilgehäuse (2).
3. Entfernen Sie das Eintrittsgitter (3) vom Fußventilgehäuse (2).
4. Mit geeignetem Lösungsmittel gründlich reinigen.

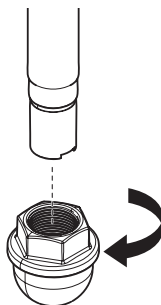
13



### STANDARD-ANSAUGSYSTEM

1. Filter (Abb. 14) vom Ansaugrohr abschrauben.
2. Filter reinigen oder austauschen.  
Reinigung mit einem harten Pinsel und entsprechendem Reinigungsmittel durchführen.

14



## 6.5 REINIGUNG DER AIRLESS-SPRITZPISTOLE



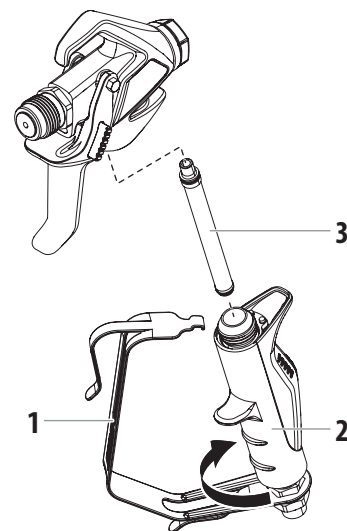
Reinigen Sie die Spritzpistole nach jeder Benutzung.

1. Airless-Spritzpistole bei niedrigem Betriebsdruck mit geeignetem Reinigungsmittel durchspülen.
2. Düse gründlich mit geeignetem Reinigungsmittel reinigen, so dass keine Beschichtungsstoffreste zurückbleiben.
3. Airless-Spritzpistole außen gründlich reinigen.

### EINSTECKFILTER IN DER AIRLESS-SPRITZPISTOLE (ABB. 15)

1. Lösen Sie die obere Seite des Abzugsschutzes (1) vom Pistolenkopf.
2. Verwenden Sie die Unterseite des Abzugsschutzes als Schraubenschlüssel, lösen Sie mit diesem den Handgriff (2) und entfernen diesen vom Pistolenkopf.
3. Den alten Filter (3) aus dem Spritzpistolenkopf ziehen. Reinigen oder tauschen Sie diesen aus.
4. Den neuen Filter mit dem konischen Ende zuerst in den Spritzpistolenkopf einschieben.
5. Den Griff so weit in den Spritzpistolenkopf einschieben, bis er fest sitzt. Ziehen Sie diesen mit dem Abzugsschraubenschlüssel fest.
6. Lassen Sie den Abzugsschutz wieder in den Pistolenkopf einrasten.

15



## 7 UNTERHALT



Bevor Sie fortfahren, befolgen Sie die Richtlinien zum Druckentlastungsablauf, wie vorherig in diesem Handbuch beschrieben. Dazu befolgen Sie alle anderen Warnungen, um das Risiko einer Injektionsverletzung, Verletzungen verursacht durch bewegende Teile oder Elektroschock zu vermeiden. Vor der Wartung, das Spritzgerät abstellen!

### 7.1 TÄGLICHE WARTUNG

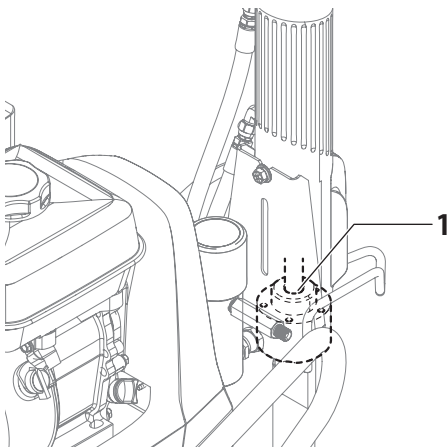
Für dieses Spritzgerät sind täglich zwei routinemässige Abläufe zum Unterhalt erforderlich:

- A. Die oberen Dichtungen einfetten (Abschnitt 7.2).
- B. Den Steinfänger reinigen (Abschnitt 6.4).

### 7.2 DIE OBEREN DICHTUNGEN EINFETTEN

1. Die Farbe, welche über die Dichtungen herausgedrungen ist und in die Schmierbüchse (Abb. 16, Pos. 1) über dem Flüssigkeitsbereich gesickert ist reinigen.
2. Die Schmierbüchse zur Hälfte mit Piston Lube (P/N 314-480) welches von der Fabrik geliefert wird, auffüllen. Dies verlängert die Lebensdauer der Dichtungen.

16



Die Schmierbüchse nicht überfüllen, so dass kein Öl in die Farbe tropft.

### 7.3 UNTERHALT DES FILTERAUFBAUS



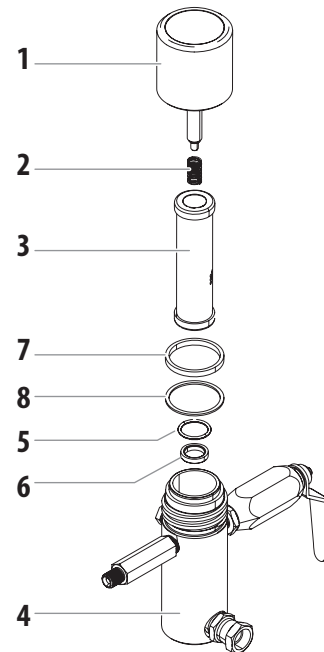
Die Filter regelmässig reinigen. Verschmutzte oder verstopfte Filter können die Filtrierung behindern und eine Reihe von Systemprobleme, wie schwache Spritzmuster, verstopfte Spritzdüsen etc, auslösen.

#### REINIGUNG (ABB. 17)

Zur Reinigung der Filter muss der folgende Ablauf befolgt werden.

1. Befolgen Sie die Richtlinien zum "Druckentlastungsablauf", wie im Abschnitt „Betrieb“ dieses Handbuchs beschrieben.
2. Den Filterdeckelaufbau (1) und die Feder (2) entfernen.
3. Den Filtereinsatz mit Ball (3) gerade aus dem Filtergehäuse (4) herausheben.
4. Die Innenseite des Filtergehäuses, den Filtereinsatz mit Ball und den Filterdeckelaufbau mit einem geeigneten Lösungsmittel reinigen.

17



Die Teile mit Sorgfalt behandeln, da die O-Ringe durch Schmutz, Ablagerungen, Kratzer und Kerben nicht richtig dichten könnten.

Dieser Filtereinsatz filtert von innen nach aussen. Deshalb muss der Filtereinsatz innen gründlich gereinigt werden. Den Filtereinsatz im Lösungsmittel einweichen um gehärtete Farbe zu lösen oder ersetzen.

**INSPEKTION (ABB. 17)**

Alle Teile des Filteraufbaus vor dem Wiedereinbau überprüfen.

1. Den Ball innerhalb des Filtereinsatzes überprüfen. Wenn der Ball Druckschnitte oder -kratzer aufweist muss der Filtereinsatz ersetzt werden.
  - a. Wenn der Ball Schnitte aufweist, den PTFE O-Ring (5) mit Hilfe eines O-Ring Hakens entfernen und den Karbidsitz (6) entfernen.
  - b. Den Sitz auf Kerben und Rillen überprüfen. Falls der Sitz beschädigt ist, muss sie ersetzt werden.

<b>i</b>	Das Entfernen des PTFE O-Rings wird den O-Ring beschädigen und macht den Ersatz dessen erforderlich.
----------	--

2. Die Feder aus der Federführung (2) am Filterdeckel entfernen.
  - a. Die Länge der entspannten Feder messen. Misst die Feder weniger als 1.9 cm (3/4") von einem Ende zum anderen, muss sie ersetzt werden.
  - b. Die Feder in die Federführung zurückdrücken bis sie in die richtige Position einrastet.
3. Die zwei PTFE-dichtungen auf Deformierung, Kerben oder Schnitte überprüfen. Falls nötig ersetzen.

<b>i</b>	Die PTFE-dichtungen, der PTFE O-Ring und die Feder sind im Filter Service Satz P/N 930-050 verpackt.
----------	--

**WIEDEREINBAU (ABB. 17)**


Nach der Reinigung und Ueberprüfung aller Teile den Filter wieder einbauen.

1. Den Karbidsitz (6) in das Filtergehäuse (4) einsetzen. Vergewissern Sie sich, dass die schräge Seite des Sitzes nach oben zeigt.
2. Den PTFE O-Ring (5) in die Rille am äusseren Durchmesser der Karbidsitz (6) anbringen.
3. Den Filtereinsatz mit Ball (3) in das Filtergehäuse (4) setzen.

<b>i</b>	Die untere und obere Seite des Filtereinsatzes mit Ball sind identisch.
----------	---

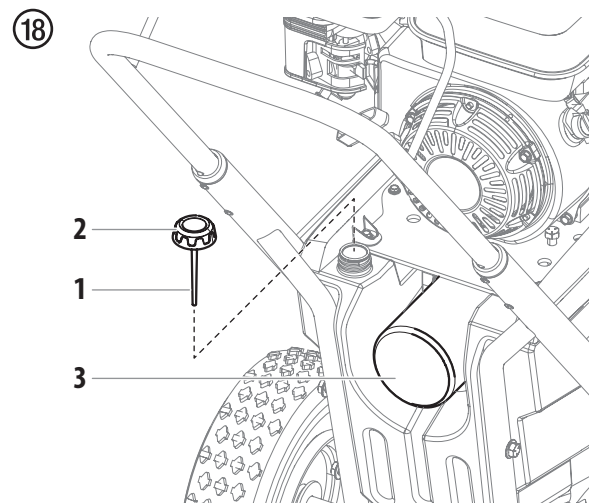
4. Falls noch nicht getan, die Feder (2) in die Federführung im Filterdeckelaufbau (1) zurückdrücken, bis sie in der richtigen Position einrastet.
5. Die dünne PTFE-dichtung (8) auf den Absatz am oberen Ende des Filtergehäuses (4) legen.
6. Die dicke PTFE-dichtung (7) auf die dünne PTFE-dichtung (8) legen.
7. Den Filterdeckelaufbau (1) am Filtergehäuse (4) anziehen.

**7.4 UNTERHALT DES HYDRAULISCHEN SYSTEMS**

 <b>Achtung</b>	Die Benutzung von Titan Coolflo anerkannter Hydraulikflüssigkeit (P/N 430-361) für das hydraulische System ist obligatorisch. Benutzen Sie keine andere Hydraulikflüssigkeit. Benutzung einer anderen Hydraulikflüssigkeit kann das hydraulische System schwer beschädigen und führt zum Verlust der Garantie.
---	--

1. Die Hydraulikflüssigkeit täglich überprüfen. Der Hydraulikflüssigkeitspegel sollte den Messstab unten berühren. Wenn dieser trocken ist, fügen Sie nur die Hydraulikflüssigkeit Titan Coolflo™ (P/N 430-361) hinzu. Die Hydraulikflüssigkeit immer in einer sauberen, staubfreien Umgebung auffüllen oder ersetzen. Die Kontaminierung der Hydraulikflüssigkeit wird die Lebensdauer der hydraulischen Pumpe verkürzen und kann zum Verlust der Garantie führen.

<b>i</b>	Stellen Sie bei der Überprüfung des Pegels der Hydraulikflüssigkeit sicher, dass das Gerät auf einer flachen, ebenen Fläche steht.
----------	--



## AUSWECHSELN DER HYDRAULIKFLÜSSIGKEIT



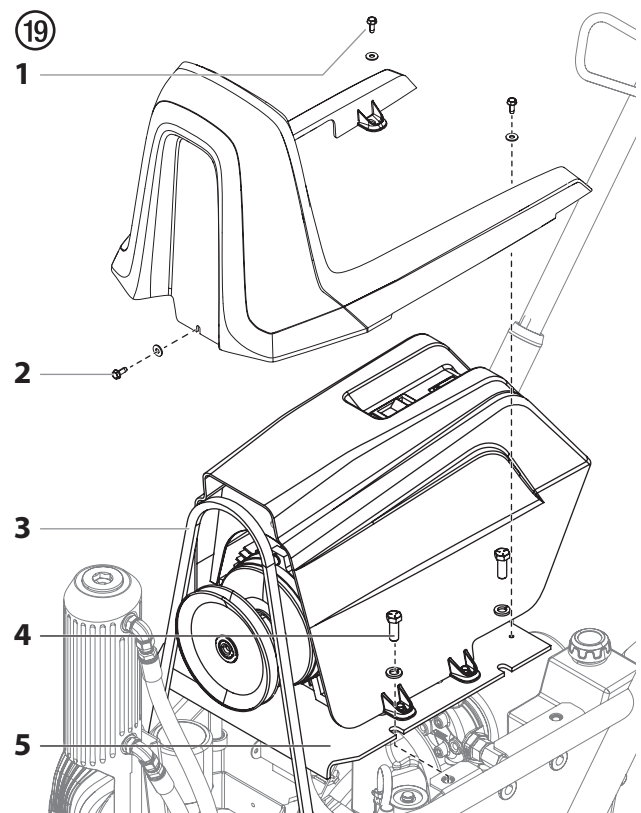
Wechseln Sie die Hydraulikflüssigkeit alle zwölf Monate aus. Um die Flüssigkeit sachgemäß auszuwechseln, muss die Motorbaugruppe entfernt werden. Befolgen Sie die folgenden Schritte:

1. Stellen Sie einen kleinen Behälter (groß genug, um 5,91 Liter auffangen zu können) direkt unter die Ablassschraube des Hydrauliktanks.
2. Entfernen Sie mithilfe eines Schraubenschlüssels die Ablassschraube des Hydrauliktanks. Lassen Sie die Hydraulikflüssigkeit vollständig aus dem Tank ablaufen. Setzen Sie die Ablassschraube wieder ein.
3. Entfernen Sie die beiden Schrauben (Abb. 19, Pos. 1) und Unterlegscheiben, die sich am hinteren Ende der vorderen Abdeckung befinden. Lösen Sie die Schraube und die Unterlegscheibe (2), die sich vorne an der vorderen Abdeckung befinden. Entfernen Sie die vordere Abdeckung.
4. Der Motorriemen (3) ist nun zugänglich. Entfernen Sie den Motorriemen von der oberen Riemenscheibe.
5. Lösen und entfernen Sie die vier Motorplattenschrauben und Unterlegscheiben (4), die die Motorbaugruppe am Rahmen befestigen.
6. Heben Sie die Motorplatte (zusammen mit dem noch befestigten Motor) vorsichtig ca. 5,08- 7,62 cm an und schieben diese auf die linke Seite (mit Blick auf die Rückseite der Einheit), um die Entlüftungsschraube (1/4"-NPT) oben auf dem Hydrauliktank freizulegen. Lassen Sie die Motorplatte für den nächsten Schritt auf dem Rahmen liegen.
7. Schrauben Sie die Entlüftungsschraube vom Hydrauliktank ab.
8. Befüllen Sie den Hydrauliktank mit frischem Hydrauliköl, bis das Öl die untere Hälfte der 1/8"-Markierung (3 mm) des Ölmesstabes erreicht.
9. Verwenden Sie PTFE-Band bei der 1/4"-NPT-Entlüftungsschraube und setzen diese wieder in den Tank ein.
10. Schieben Sie den Motor in seine Position zurück; achten Sie dabei darauf, dass Sie das PCB-Kabel nicht einwickeln oder einklemmen. Sichern Sie diesen mit den vier Schrauben. Ziehen Sie die Schrauben mit einem Drehmoment von 28,25 N-m fest.
11. Setzen Sie die untere Abdeckung sowie die vordere Abdeckung wieder ein.
12. Das Spritzgerät mit genügend Druck um die Flüssigkeitssektion zu bedienen, starten. Das Spritzgerät unter diesem tiefen Druck für mindestens 5 Minuten laufen lassen. Dies beseitigt die Luft im System. Den Flüssigkeitsstand nach diesem Ablauf überprüfen. Nicht überfüllen.



Wenn der Hydraulikfilter (Abb. 18, pos. 3) während dem Flüssigkeitswechsel ersetzt wird, kann es sein, dass bis zu einer Quart zusätzlicher Hydraulikflüssigkeit hinzugefügt werden muss.

13. Das hydraulische System hat einen externen, ersetzbaren Hydraulikfilter (Abb. 18, pos. 3). Den Filter einmal alle 12 Monate wechseln.
14. Die Hydraulikpumpe soll nicht im Aussendienst gewartet werden. Wenn die Hydraulikpumpe Wartung erfordert, muss sie an ein von Titan zugelassenes Service-Center eingesandt werden.



## 7.5 UNTERHALT DES FLÜSSIGKEITSBEREICHS



Wenn das Spritzgerät für eine längere Zeit nicht in Gebrauch ist, wird empfohlen, dass nach der Reinigung eine Mischung aus Kerosin und Öl als Konservierungsmittel eingesetzt wird. Dichtungen können infolge Nichtgebrauch austrocknen. Dies trifft im Speziellen auf die oberen Dichtungen, für die im Normalgebrauch die Wartung mit Piston Lube (P/N 314-480) empfohlen ist.



Wenn das Spritzgerät für eine längere Zeit nicht in Gebrauch ist, kann es nötig werden, die Pumpe mit einem Lösungsmittel zu grundieren. Es ist enorm wichtig, dass die Gewinde der Syphonschlauchkoppelung richtig abgedichtet sind. Jegliches Luftleck wird ungleichmässige Bedienung des Spritzgerätes zur Folge haben und kann das System beschädigen. Die Aufwärts- und Abwärtsstriche sollten ungefähr gleich lang dauern (einer soll nicht schneller sein als der andere). Ein schneller Aufwärts- oder Abwärtsstrich kann darauf hinweisen, dass sich Luft im System befindet oder dass Ventile oder Sitze nicht richtig funktionieren (siehe „Fehlerbehebung“)

### 7.6 HOCHDRUCKSCHLAUCH

Hochdruckschlauch optisch auf eventuell vorhandene Einschnitte oder Ausbeulungen, insbesondere am Übergang in die Armatur, prüfen. Überwurfmuttern müssen sich frei drehen lassen. Die Leitfähigkeit von kleiner 1 Mega Ohm muss über der gesamten Länge vorhanden sein.


 <b>Achtung</b>	Alle elektrischen Prüfungen vom Titan-Service durchführen lassen.
	Bei alten Hochdruckschläuchen steigt das Risiko von Beschädigungen. Titan empfiehlt den Hochdruckschlauch nach 6 Jahren auszutauschen.

### 7.7 EINFACHER UNTERHALT DES MOTORS (BENZINMOTOR)

- Für detaillierter Unterhalt und technische Spezifikationen verweisen wir Sie auf das separate Handbuch für Benzinmotoren.
- Alle Wartungen am Motor sollen von einem vom Motorenhersteller bevollmächtigten Händler durchgeführt werden.
- Benutzen Sie hochwertiges Motorenöl. Für den generellen Gebrauch in allen Temperaturen wird 10W30 empfohlen. Andere Klimaverhältnisse erfordern vielleicht andere Viskositäten.
- Verwenden Sie nur eine (NGK) BR-6HS Zündkerze. Der Abstand in der Zündkerze sollte 0,028 bis 0,031 In. (0,7 bis 0,8 mm) betragen. Immer einen Zündkerzenschlüssel benutzen.

### TÄGLICH

1. Motorenölstand überprüfen und wenn nötig auffüllen.
2. Benzinstand überprüfen und wenn nötig auffüllen.

	Zum Auftanken immer die Arbeitsschritte, die vorab in diesem Handbuch erklärt wurden ausführen.
---	---

### ERSTE 20 STUNDEN

- Motorenöl wechseln.

### ALLE 100 STUNDEN

- Motorenöl wechseln.
- Sedimentbecher reinigen.
- Zündkerze reinigen und den Abstand wiederherstellen.
- Funkenableiter reinigen.



### WÖCHENTLICH

- Die Luftfilterabdeckung entfernen und das Element reinigen. In sehr staubiger Umgebung muss der Filter täglich überprüft werden. Das Element wenn nötig ersetzen. Ersatzelemente können beim örtlichen Händler für diesen Motorenhersteller erworben werden.

### BEDIENUNG UND WARTUNG DES MOTORS

- Luftfiltermatte des Benzinmotors alle 25 Stunden oder einmal wöchentlich reinigen und ölen. Das Luftansaugsieb um das Schwungrad im Benzinmotor soll nicht mit Farbe oder Abfall aufgefüllt werden. Reinigen Sie es regelmässig. Die Lebensdauer und Arbeitsleistung des Benzinmotorenmodells beruht auf dem richtigen Betrieb des Benzinmotors. Das Oel alle 100 Stunden wechseln. Nichteinhaltung dessen kann zu Ueberhitzung des Motors führen. Beachten Sie das mitgelieferte Bedienungshandbuch des Herstellers.
- Um Benzin zu sparen, Lebensdauer zu verlängern und die Leistung des Spritzgerätes zu bewahren soll der Benzinmotor immer auf der tiefstmöglichen Drehzahl laufen, auf der er gleichmässig und ohne Anstrengung läuft und die gewünschte Menge Farbe ausstösst, die für die jeweilige Malarbeit erforderlich ist. Höhere Drehzahlen erzeugen nicht höheren Arbeitsdruck. Der Benzinmotor ist mit der Hydraulikpumpe durch eine Seilrollenkombination verbunden, die dazu bestimmt ist, den vollen Farbausstoss bei maximaler Drehzahl zu liefern.
- Die Garantie für die Benzinmotoren ist auf den Originalhersteller beschränkt.

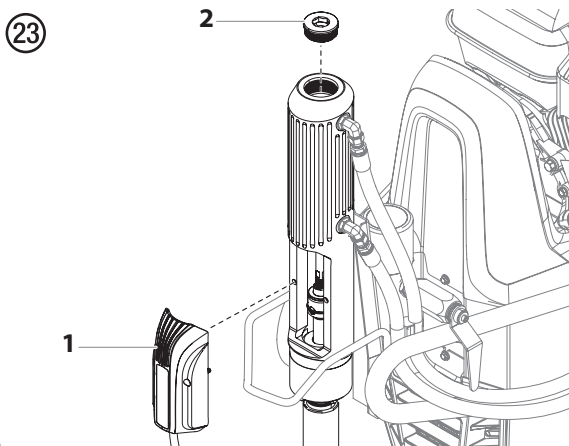
## 7.8 WARTUNG DES HYDRAULIKMOTORS

 <p><b>Achtung</b></p>	<p>Die Wartung des Hydraulikmotors sollte nur in einem sauberen, staubfreien Bereich durchgeführt werden. Jegliche Staub- oder Metallteile, die im Motor gelassen werden oder beim Wiedereinbau in den Motor geraten können kritische Teile beschädigen und die Lebensdauer und Garantie beeinträchtigen. Alle Teile sollten auf absolute Sauberkeit überprüfen.</p>
	<p>Um den Hydraulikmotor zu warten, sollte der Kolben in der Mitte seines Hubs festgestellt werden. Folgen Sie den unten angegebenen Schritten.</p>


1. Drehen Sie den Druckregler vollständig gegen den Uhrzeigersinn auf die niedrigste Stufe.
2. Lassen Sie den Motor an oder schalten Sie den Elektromotor mit in einem Eimer Wasser eingetauchtem Flüssigkeitsabschnitt ein.
3. Drehen Sie den Druckregler 1-2 Umdrehungen im Uhrzeigersinn.
4. Nachdem die Pumpe entlüftet ist, drehen Sie das Entlüftungsventil auf SPRAY.
5. Beobachten Sie den Kolbenhub durch das Fenster auf der Rückseite des Motors/der Pumpe und sprühen Sie Wasser mit der kleinste Düse (für die langsamste Kolbengeschwindigkeit) zurück in den Eimer (oder einen sonstigen Abfallbehälter). Sobald der Kolben sich an der gewünschten Stelle befindet, hören Sie auf zu sprühen.
6. Schalten Sie den Motor oder Elektromotor aus.
7. Fahren Sie mit den folgenden Schritten fort.

### ZERLEGEN DES HYDRAULIKMOTORS

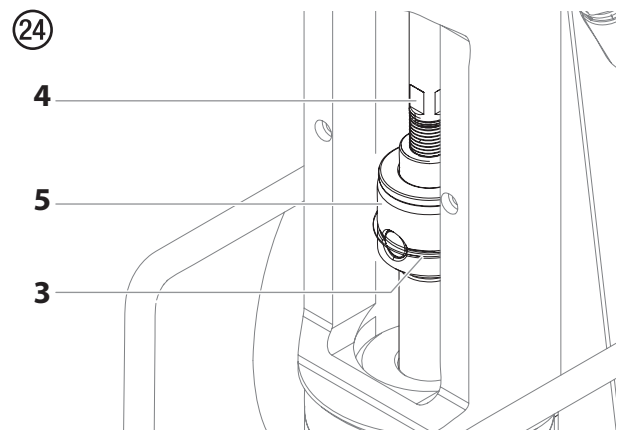
1. Lösen Sie die unverlierbaren Schrauben, die die Leiterplattenbestückung (Abb.23, Pos. 1) am hydraulischen Motorzylinder befestigen, mithilfe eines Inbusschlüssels. Sobald diese gelöst sind, kann die Platte an ihrem Kabel hängen.
2. Entfernen Sie den Zylinderkopfstecker (2) vom hydraulischen Motorzylinder.




3. Nehmen Sie die überschüssige Hydraulikflüssigkeit mit einer Spritze oder einem Schwamm aus dem Hohlraum auf, der durch Entfernen des Zylinderkopfsteckers entstanden ist.
4. Orten Sie die Schlüsselflächen am Boden des Hydraulikkolbens, die sich in dem durch Entfernen der Leiterplattenbestückung entstandenen Zugangsbereich befinden (Abb. 24, Pos. 3). Halten Sie einen Schraubenschlüssel an die hydraulischen Kolbenschlüsselflächen.
5. Schieben Sie den Sicherungsring (4) am Kolbenkoppler (5) hoch, um die Kopplerlöcher freizulegen.
6. Führen Sie vorsichtig einen Schraubendreher in eine der offenen Löcher des Kolbenkopplers (5) ein, um es zu sichern.

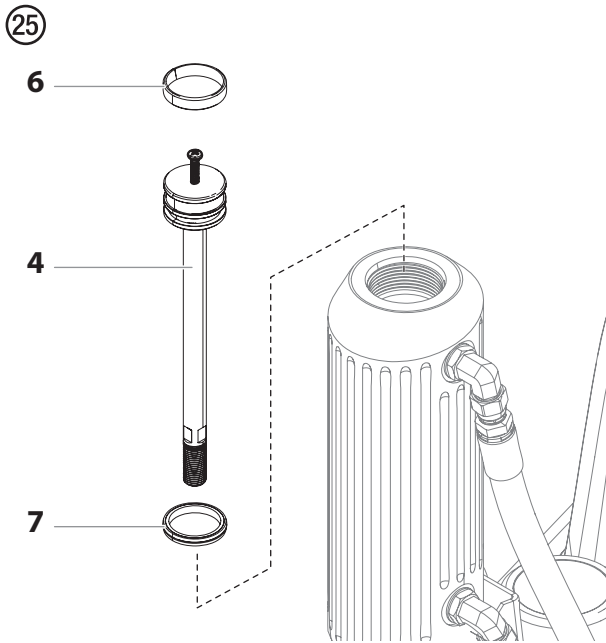
	<p>Eventuell muss der gesamte Hydraulikkolben (4) und der Koppler (5) leicht mit dem Schraubenschlüssel gedreht werden, um Zugang zu einem der offenen Löcher zu erhalten.</p>
---	--

7. Lösen Sie den Hydraulikkolben (4) mithilfe des Schraubenschlüssels auf den Schlüsselflächen des Hydraulikkolbens (4) vom Koppler (5).

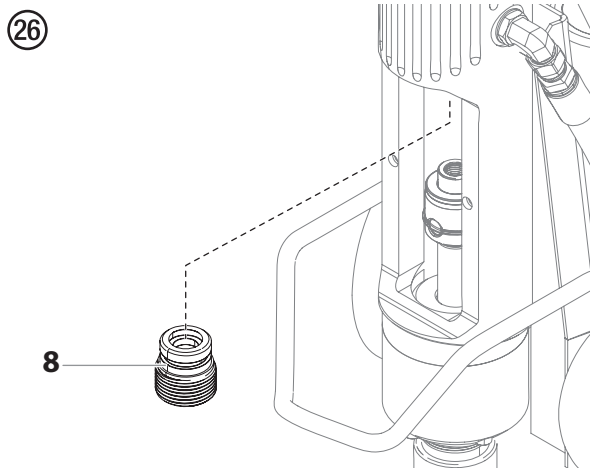


8. Drehen Sie eine 1/4" - 20 Schraube leicht in den oberen Teil des Hydraulikkolbens (Abb. 25, Pos.4). Ziehen Sie den Kolben mithilfe der Schraube vom oberen Teil des hydraulischen Motorzylinders ab.
9. Entfernen Sie die Dichtung (6) und den Schleifring (7) vorsichtig aus dem Kolben. Tauschen Sie diese mit neuen Teilen aus dem Bausatz aus.

	<p>Die neue Dichtung und der Schleifring müssen vor dem Einbau mit Hydrauliköl eingerieben werden.</p>
---	--



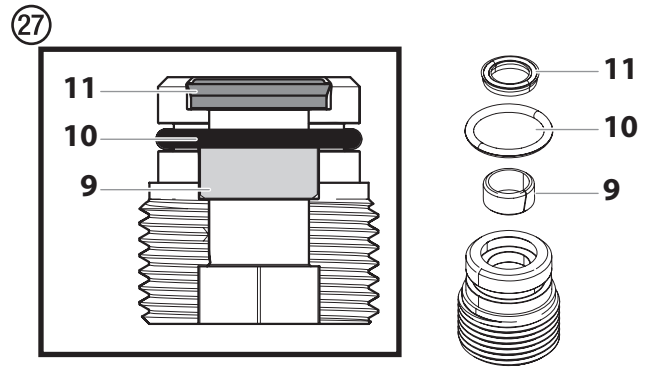
10. Lösen Sie den Steckerbausatz mithilfe eines L-förmigen Inbusschlüssels (Abb. 26, Pos. 8) von der Innenseite des hydraulischen Motorzylinders.



11. Entfernen Sie den Schleifring (Abb. 27, Pos. 9), den O-Ring (10) und die Profildichtung mit O-Ring (11) vorsichtig vom Stecker.

 <b>Achtung</b>	Entfernen Sie diese Teile sehr sorgfältig. Achten Sie darauf, die Metallfläche auf dem Steckerbausatz nicht zu verkratzen.
--------------------	--

12. Legen Sie die neuen Teile des Bausatzes in Hydrauliköl und bringen Sie sie dann an der Steckverbindung an. Achten Sie darauf, dass der O-Ring auf der Oberseite der Profildichtung (11) von der Oberseite des Steckerbausatz sichtbar ist, nachdem er installiert ist.



**ZUSAMMENBAU DES HYDRAULIKMOTORS**

1. Die Fäden der Steckerbausatz (8) mit Anti-Beschlag beschichten. Bringen Sie den Steckerbausatz (8) im Inneren des hydraulischen Motorzylinders an. Drehmoment bis 450-500 in.lbs (50,8-56,6 Nm).

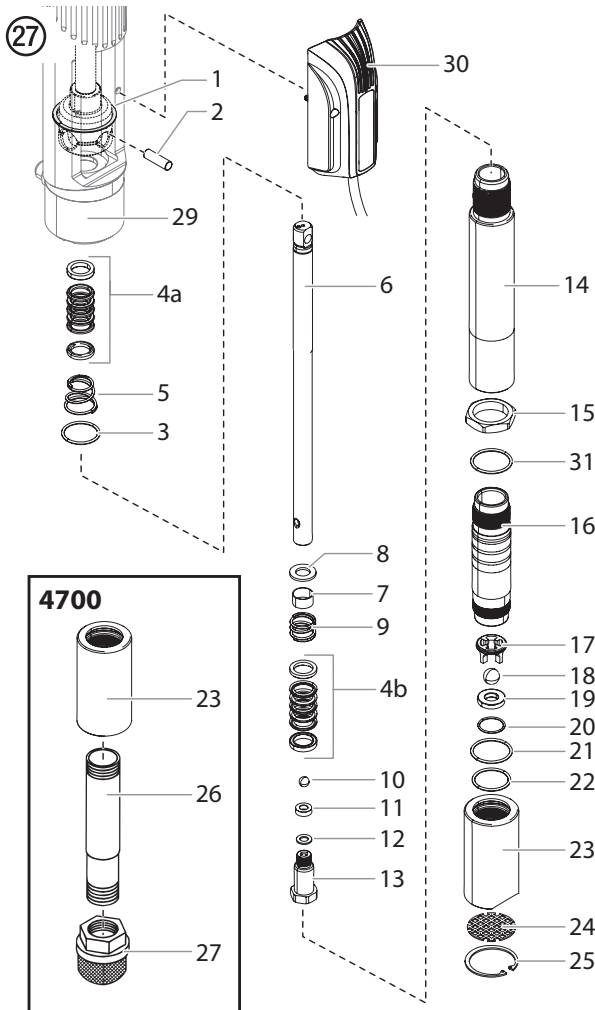
	Überprüfen Sie die Unterseite des Hydraulikkolbens auf scharfe Bereiche, die die Kolbendichtung (11) beim erneuten Einbau beschädigen könnten.
--	--

2. Bringen Sie den Hydraulikkolben (4) wieder oben auf dem hydraulischen Motorzylinder an. Schlagen Sie den Kolben vorsichtig mit einem Gummihammer auf den Zylinder, bis die Schlüssel­flächen im Zugangsbereich über dem Kolbenkoppler (5) sichtbar sind.
3. Entfernen Sie die 1/4" - 20 Schraube von der Oberseite des Kolbenbausatzes.
4. Auf den Gewinde des Hydraulikkolbens (4) abnehmbare Gewin­deschränke (blau) auftragen. Befestigen Sie die beiden Teile mithilfe eines Schraubendrehers im offenen Loch des Kolbenkopplers (5) und einem Schraubenschlüssel auf den Schlüssel­flächen des Hydraulikkolbens (4) erneut. Drehmoment bis 360-420 in.lbs (40,7-47,4 Nm).
5. Schieben Sie den Sicherungsring wieder auf den Koppler.
6. Schmieren Sie die O-Ring- und Zylinder-Steckgewinde mit Hydrauliköl. Bringen Sie den Zylinderkopfstecker (2) an. Drehmoment bis 110-120 ft. lbs (149-162,7 Nm).
7. Bringen Sie die Leiterplattenbestückung (1) an.

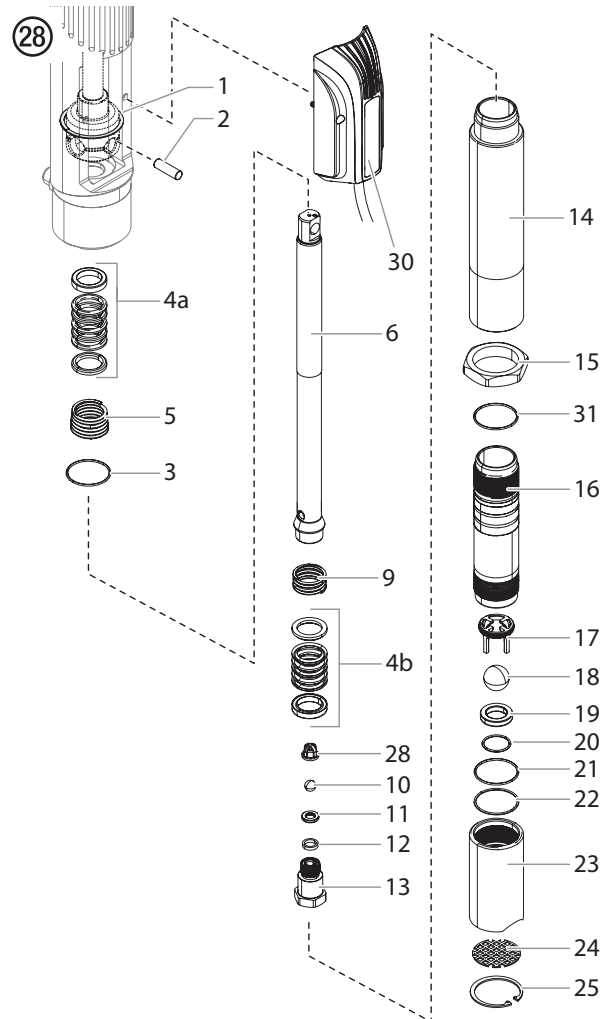
	Nach Abschluss der Reparatur starten Sie den Motor oder schalten den Elektromotor ein. Lassen Sie das Gerät einige Minuten laufen und schalten Sie es dann aus.  Prüfen Sie sofort den Hydraulikölpegel und füllen Sie nach Bedarf nach.
--	--

## 7.9 UNTERHALT DES FLÜSSIGKEITSBEREICHES

### POWRBEAST 4700 / POWRBEAST 4700T



### POWRBEAST 7700 / POWRBEAST 9700



**Achtung**

Die Benutzung von anderen Ersatzteilen als Titan kann die Garantie annullieren. Für die beste Wartung, benutzen Sie Originalteile von Titan. Diese Pumpe sollte nach ungefähr 1.000 Stunden Laufzeit mit einer Routinewartung gewartet werden. Bei übermäßigem Leck oder wenn die Pumpbewegungen in die eine oder andere Richtung schneller werden, ist eine frühere Wartung nötig. Zur Schmierung der oberen Dichtungen ist die Verwendung von Titan Piston Lube (p/n 314-480) empfohlen. Benutzen Sie kein Öl, Wasser oder Lösungsmittel als Schmiermittel für die oberen Dichtungen.

### DEMONTAGE DES FLÜSSIGKEITSBEREICHES


1. Lösen Sie die unverlierbaren Schrauben, die die Leiterplattenbestückung am hydraulischen Motorzylinder befestigen, mithilfe eines Inbusschlüssels. Sobald diese gelöst sind, kann die Platte an ihrem Kabel hängen.
2. Den Haltering (1) mit einem kleinen Schraubenzieher heraufschieben und dann den Verbindungsstift (2) herausdrücken.


3. **PowrBeast 4700** - Entfernen des Siphonrohrs (26).
4. Drehen Sie die Mutter zum Entfernen des Flüssigkeitsabschnitts (15) gegen den Uhrzeigersinn, so dass es sie an den Gewinden auf dem Zylinder ausläuft (16).
5. Legen Sie einen Schraubenschlüssel auf die Schlüsselflächen der Mutter zum Entfernen des Flüssigkeitsabschnitts (15). Drehen Sie den Schlüssel gegen den Uhrzeigersinn, um den Hydraulikmotor zu entfernen.
6. Ziehen Sie den Flüssigkeitsabschnitt vorsichtig nach unten, um ihn vom Hydraulikmotor zu entfernen.
7. Um den Flüssigkeitsabschnitt zu warten, sollte er durch Sicherung der Schlüsselflächen der Mutter zum Entfernen des Flüssigkeitsabschnitts (15) in einem Schraubstock stabilisiert werden.
8. Schrauben Sie das Fußventilgehäuse (23) mit einem Bandschlüssel los.
9. Den die obere Dichtungsfeder (5) und den oberen Dichtungssatz (4a) vom Motoren-/Pumpenblock entfernen.
10. Legen Sie einen Schraubenschlüssel an die Schlüsselflächen auf der Schubstange (6). Lösen und entfernen Sie das Gehäuse des Ablassventils (13) von der Schubstange (6).

11. Entfernen Sie die Dichtungsscheibe (12), den Ablassventilsitz (11), die Ablassventilkugel (10), den Ablassventilkorb (28, nur PowrBeast 7700 / PowrBeast 9700), die untere Dichtungssatz (4b), die untere Packungsfeder (9) und die Federsicherung (8, PowrBeast 4700).
12. Führen Sie das Ende der Verlängerung mithilfe einer 1/2" Verlängerung, die an einem 1/2" Ratschenantrieb befestigt ist, in die quadratische Öffnung des Fußventilkorbs (17) innerhalb des Fußventilgehäuses (23) ein. Schrauben Sie den Fußventilkorb vom Fußventilgehäuse los und entfernen Sie ihn.
13. Den PTFE O-Ring (22), Fussventilball (18), Fussventilsitz (19) und Sitz-O-Ring (20) vom Fussventilgehäuse (23) entfernen.
14. Den O-Ring (21) vom Pumpenzylinder (16) entfernen.

7. Die Gewinde am Ablassventilgehäuse (13) reinigen und die Gewinde mit Loctite blau Nr. 242 beschichten. Vergewissern Sie sich, dass Loctite nur auf dem Gewinde aufgetragen wird.
8. Die untere Dichtungsfeder (9) auf das Ablassventilgehäuse (13) setzen, gefolgt von der Federhalter (8, PowrBeast 4700).
9. Den Verdrängungssteg (6) und das Ablassventilgehäuse (13) zusammenschrauben. In einem Schraubstock bis zu 50 ft./lbs. (68 Nm) anziehen.
10. Den PTFE O-Ring (3) in die obere Furche des Motoren-/Pumpenblocks einsetzen.
11. Den oberen Dichtungssatz (4a) in den Motoren-/Pumpenblock einsetzen, mit der Spitze der "V" Dichtungen nach oben, in Richtung Motor zeigend.


**WIEDEREINBAU DES FLÜSSIGKEITSBEREICHS**


	An allen Rohrverbindungsgewinden PTFE-band benutzen.
---	--

	Die Dichtungen müssen vor der Montage in Oel (CoolFlo) eingeweicht worden sein.
---	---

1. Einen neuen Sitz O-Ring (20) in die Kerbe am unteren Teil des Fussventilgehäuses (23) anbringen.
2. Den Fussventilsitz (19) auf Abnutzung untersuchen. Wenn eine Seite abgenutzt ist, den Sitz auf die unbenutzte Seite umdrehen. Wenn beide Seiten abgenutzt sind, einen neuen Sitz einbauen. Den neuen oder umgedrehten Sitz (abgenutzte Seite nach unten) in die Bohrung am Unteren Teil des Fussventilgehäuses (23) einfügen.
3. Einen neuen Fussventilball (18) auf den Fussventilsitz setzen (19). Benutzen Sie eine 1/2" Verlängerungsstange welche an ein 1/2" Antriebszahngesperre angebaut ist, und fügen Sie das Ende der Verlängerungsstange in die quadratische Oeffnung des Fussventilkorbes (17) und schrauben den Fussventilkorb in das Fussventilgehäuse (23). Drehmoment für den Korb bis 240 in./lbs (20 ft./lbs.).
4. Einen neuen PTFE O-Ring (22) in die Furche am unteren Ende des Fussventilgehäuses (23) einsetzen. Den O-Ring mit Oel oder Fett schmieren.
5. Nachdem die Lederdichtungen in Oel (vorzugsweise Leinöl) eingeweicht wurden, den unteren Dichtungssatz (4b) wieder zusammenbauen. Den Satz auf das Ablassventilgehäuse (13) setzen, mit dem Spitz der "V" Dichtungen nach unten in Richtung des Sechskants am Ablassventilgehäuse zeigend.



12. Die obere Dichtungsfeder (5) mit dem kleinen zulaufenden Ende gegen oben in Richtung Motor/Pumpe zeigend in den Motoren-/Pumpenblock einsetzen.
13. Den Verdrängungsstab (6) durch die oberen Dichtungen hinauf in den Motoren-/Pumpenblock einsetzen.
14. Die Löcher im Verdrängungsstab (6) und dem Hydraulikkolbenstab aufeinander abstimmen und den Verbindungsstift (2) einsetzen. Den Haltering (1) über dem Verbindungsstift ersetzen.
15. **PowrBeast 4700** - Schrauben Sie die langen Gewinde des Pumpenzylinders (16) in den Motor-/Pumpenblock und ziehen Sie sie mit einem Bandschlüssel fest.
16. Schrauben Sie die Außengewinde des Zylinderabstandhalters (14) in den Motor-/Pumpenblock und ziehen Sie sie mit einem Bandschlüssel fest. Schrauben Sie die langen Gewinde des Pumpenzylinders (16) in den Zylinderabstandhalter und ziehen Sie sie mit einem Bandschlüssel fest.
17. Den O-Ring (21) in die oberste Furche des Pumpenzylinders (16) einsetzen.
18. Das Fussventilgehäuse (23) auf den Pumpenzylinder (16) aufschrauben, mit einem Riemenschlüssel festziehen.
19. **PowrBeast 4700 gas** - Montieren Sie das Siphonrohr (26).

	Alle Ledermanschetten müssen vor der Montage für 15-20 Minuten in Öl (CoolFlo) eingeweicht werden. Werden die Manschetten zu lange eingeweicht, schwellen diese auf und verursachen Probleme beim Wiederzusammenbau.
---	--

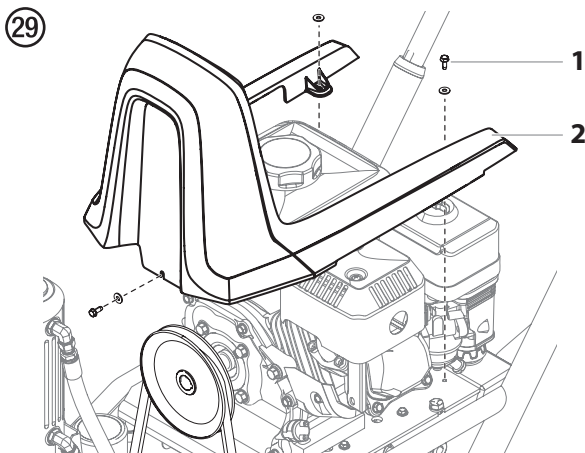
	Es ist nicht nötig, das Fussventilgehäuse zu stark anzuziehen. Die O-Ring Dichtungen dichten ohne übermässiges Anziehen. Anziehen bis an das Ende des Gewindes ist genügend. <b>PowrBeast 4700</b> - Für die Syphonschlauchaufsätze ist es kritisch wichtig, dass die Gewinde des Syphonschlauches raumfest in das Fussventilgehäuse passen und dass die schlauch mit PTFE-band umwickelt und abgedichtet sind, um Luftlecks zu verhindern.
---	--

6. Den Ablassventilsitz (11) auf Abnutzung untersuchen. Wenn eine Seite abgenutzt ist, den Sitz auf die unbenutzte Seite umdrehen. Wenn beide Seiten abgenutzt sind, einen neuen Sitz benutzen. Den Ablassventilkorb (28, nur PowrBeast 7700 / 9700), Ablassventilball (10), neuen oder umgedrehten Sitz (abgenutzte Seite vom Ball entfernt) und eine neue Dichtscheibe (12) in die Verdrängungsstange (6) einsetzen.

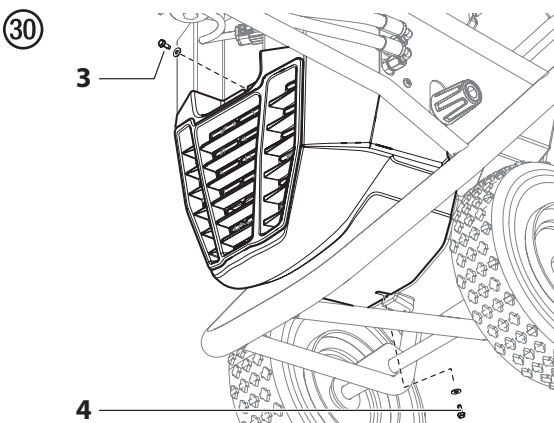
## 7.10 AUSWECHSELN DES RIEMENS

	<p>Achten Sie darauf, dass Sie das "Druckentlastungsverfahren", wie in dem Abschnitt "Betrieb" in diesem Handbuch dargelegt ist, durchgeführt haben, bevor Sie den Riemen in Ihrer Maschine wechseln. <b>VERSUCHEN SIE NICHT</b> diese Instandsetzung durchzuführen, während die Maschine läuft.</p>
	<p>Die unteren Abbildungen zeigen eine Maschine mit einem Benzinmotor. Alle Anweisungen in diesem Abschnitt gelten sowohl für Benzin- als auch elektrische Motoren, wenn nicht anders darauf hingewiesen wird.</p>

1. Entfernen Sie die drei Schrauben und Unterlegscheiben (1), mit denen die obere Abdeckung (2) am Gestell befestigt ist. Entfernen Sie die Abdeckung.




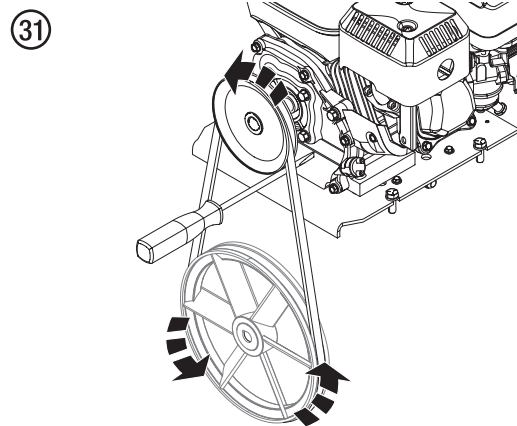
2. Entfernen Sie die vordere Schraube (3) und die untere Schraube (4), mit der die untere Abdeckung am Hauptgerät befestigt ist. Entfernen Sie die gesamte Abdeckung.



3. Führen Sie das drehende Ende eines Schraubendrehers wie dargestellt zwischen den Riemen und die obere Riemenscheibe (Abb. 31).


4. Halten Sie den Schraubendreher und drehen Sie den Riemen und die Riemenscheibe von Hand gegen den Uhrzeigersinn. Folgen Sie mit dem Schraubendreher der Bewegung der Riemenscheibe und schieben Sie den Riemen gleichzeitig nach außen. Drehen Sie die Riemenscheibe um ca. 1/2 Umdrehung, so dass der Riemen mithilfe des Schraubendrehers von der oberen Riemenscheibe abgelenkt.

	<p>Quetschgefahr. Halten Sie Ihre Hände von der Kontaktfläche zwischen Schraubendreher und Riemenscheibe fern. Lassen Sie Ihre Finger bei der Drehung der Riemenscheibe nicht zwischen diese und den Riemen gelangen. <b>VERBRENNUNGSGEFAHR.</b> Lassen Sie den Benzinmotor ausreichend abkühlen, bevor Sie es berühren.</p>
---	--



### NEUINSTALLATION

1. Schlingen Sie den neuen Riemen über die obere Riemenscheibe, bis er in die Nut der Riemenscheibe einrastet.
2. Lassen Sie den Riemen von der oberen Riemenscheibe hängen. Halten Sie den Riemen mit der Hand in ungefährer 3Uhr-Position auf der Nut der unteren Riemenscheibe fest.
3. Drehen Sie die obere Riemenscheibe von Hand im Uhrzeigersinn. Folgen Sie der Bewegung mit dem von der Hand auf der unteren Riemenscheibe gehaltenen Riemen. Durch die Bewegung der Riemenscheibe und mit der Hand über dem Riemen über der unteren Riemenscheibe kann der Riemen auf der unteren Riemenscheibe einrasten.

 <p><b>Achtung</b></p>	<p>Stellen Sie sicher, dass der Riemen nicht eingeklemmt oder verdreht ist.</p>
---	---

4. Führen Sie die Schritte 1-2 in umgekehrter Reihenfolge aus, um die Einheit zusammenzubauen.

## 8 FEHLERBEHEBUNG

### 8.1 AIRLESS-SPRITZPISTOLE

#### PROBLEM

A. Spuckende Spritzpistole

#### GRUND

1. Luft im System
2. Verschmutzte Spritzpistole
3. Nadelbaugruppe nicht mehr angepasst
4. Sitz ist zerbrochen oder angeschlagen

#### LÖSUNG

1. Verbindungen auf Luftleck überprüfen.
2. Zerlegen und reinigen.
3. Ueberprüfen und abstimmen.
4. Ueberprüfen und ersetzen.

B. Spritzpistole lässt sich nicht absperren

1. Abgenutzte oder zerbrochene Nadel & Sitz
2. Nadelbaugruppe nicht mehr angepasst
3. Verschmutzte Spritzpistole

1. Ersetzen.
2. Abstimmen.
3. Reinigen.

C. Spritzpistole spritzt nicht

1. Keine Farbe
2. Verstopfter Filter oder Düse
3. Zerbrochene Nadel in der Spritzpistole

1. Flüssigkeitsvorrat überprüfen.
2. Reinigen.
3. Ersetzen.

### 8.2 FLÜSSIGKEITSBEREICH

#### PROBLEM

A. Pumpe gibt Farbe nur beim Aufwärtsstrich ab oder geht langsam aufwärts und schnell abwärts (üblicherweise auch downstroke dive genannt)

#### GRUND

1. Unterer Fussventilball kann sich nicht setzen, da entweder verschmutzt oder abgenutzt
2. Material ist zu dickflüssig um angesaugt zu werden.
3. Luft tritt an der Ansaugseite ein oder beschädigter Syphonschlauch. Der Syphon ist vielleicht zu klein für dickeres Material.

#### LÖSUNG

1. Fussventilbaugruppe entfernen. Reinigen und überprüfen. Fussventil testen indem es mit Wasser gefüllt wird; falls der Ball den Sitz nicht abdichtet, den Ball ersetzen.
2. Material verdünnen — Für die richtigen Verdünnungsverfahren den Hersteller kontaktieren.
3. Alle Verbindungen zwischen Pumpe und Farbbehälter festziehen. Falls beschädigt, ersetzen. Auf ein Syphonset mit grösserem Durchmesser wechseln.

B. Pumpe gibt Farbe nur beim Abwärtsstrich ab oder geht schnell aufwärts und langsam abwärts

1. Oberer Ball kann sich nicht setzen, da entweder verschmutzt oder abgenutzt
2. Untere Dichtungen sind abgenutzt

1. Den oberen Sitz und Ball mit Wasser testen. Falls der Ball nicht abdichtet, den Sitz ersetzen.
2. Dichtungen ersetzen falls sie abgenutzt ist.

C. Pumpe bewegt sich schnell auf- und abwärts, gibt Farbe ab

1. Materialkübel ist leer oder das Material ist zu dickflüssig um durch den Syphonschlauch zu fließen

1. Mit neuem Material auffüllen. Wenn es zu dickflüssig ist, den Syphonschlauch entfernen, Flüssigkeitsbereich in das Material eintauchen und Pumpe zum Grundieren anstellen. Verdünner dem Material beimischen. Auf ein grösseres Syphonset umstellen. Auslaufventil öffnen um Luft abzulassen und Pumpe neu starten.
2. Fussventil entfernen. Ball und Sitz reinigen.
3. Gerade legen.

D. Pumpe bewegt sich langsam auf- und abwärts wenn die Spritzpistole abgestellt ist

1. Lose Verbindungen. Auslaufventil ist teilweise offen oder Auslaufventil ist abgenutzt. Unterer Dichtungssitz ist abgenutzt.

1. Alle Verbindungen zwischen Pumpe und Spritzpistole überprüfen. Wenn nötig festziehen. Falls Material aus dem Ablassschlauch läuft, Ablassventil schliessen oder wenn nötig ersetzen. Wenn keine der obenerwähnten Lösungen erforderlich ist, die untere Dichtung ersetzen.
2. Bälle neu setzen indem sie gereinigt werden.

E. Ungenügend Flüssigkeitsdruck in der Spritzpistole

1. Spritzpistolendüse ist abgenutzt
2. Abflussfilter oder Spritzpistolenfilter ist verstopft
3. Tiefe Spannung und/oder unzureichende Stromstärke
4. Schlauchdurchmesser ist zu klein oder Schlauchlänge zu lang

1. Ersetzen.
2. Filter reinigen oder ersetzen.
3. Elektrizitätsservice überprüfen. Wenn nötig korrigieren.

F. Pumpe klappert beim Aufwärts- oder Abwärtsstrich

1. Lösungsmittel brachte obere Dichtung zum anschwellen

1. Dichtung ersetzen.

## 8.3 HYDRAULIKMOTOR

### PROBLEM

- A. Hydraulikmotor blockiert in der unteren oder oberen Endstellung; geringer oder mittlerer Druck der Flüssigkeitspresse; ungewöhnliche Hubgeschwindigkeit; hohe Temperatur des Hydrauliköls (über 200°F, [93°C]).

### GRUND

1. Niedriger Hydraulikölstand.
2. Druckregelung zu niedrig eingestellt.
3. Ausfall hydraulischer Riemen oder Riemenscheibe.
4. Ausfall Hydraulikkolben.
5. Blockierter oder defekter Kolben Flüssigkeitsabschnitt.
6. Ausfall hydraulische Kolbenstangendichtung.
7. Ausfall hydraulische Kolbenkopfdichtung.
8. Sonstiges

### LÖSUNG

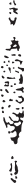
1. Ölstand prüfen. Gegebenenfalls auffüllen. Wenn Ölstand aufgefüllt ist, Controller prüfen.
2. Stellen Sie sicher, dass der Druckregler ausreichend aufgedreht ist, um den Motor anzutreiben. Wenn die Einstellung des Druckreglers korrekt ist, prüfen Sie den Riemen und die Riemenscheiben.
3. Stellen Sie sicher, dass sich der Schlüssel in der Abtriebswelle des Motors/Elektromotors und in der Eingangswelle der Hydraulikpumpe befindet. Stellen Sie sicher, dass der Riemen nicht defekt und ausreichend gespannt ist. Wenn Riemen und Riemenscheiben in Ordnung sind, wenden Sie sich an ein von Titan zugelassenes Service-Center.
4. Sichtprüfung der hydraulischen Kolbenstange auf Defekte. Wenn die hydraulische Kolbenstange defekt ist, entfernen/ersetzen Sie den Hydraulikkolben. Je nachdem, wo der Defekt aufgetreten ist, muss eventuell auch der Kolbenkoppler ausgetauscht werden. Falls Sie Hilfe benötigen, suchen Sie bitte ein von Titan zugelassenes Service-Center auf. Wenn der Hydraulikkolben in Ordnung ist, prüfen Sie den Kolben des Flüssigkeitsabschnitts auf Blockaden/Defekte.
5. Um den Kolben des Flüssigkeitsabschnitts auf Blockaden/Defekte zu prüfen, lösen Sie den Hydraulikkolben vom Farbkolben, indem Sie den Spannstift entfernen. Schalten Sie das Gerät ein. Wenn der Hydraulikmotor schaltet, wenn der Hydraulikkolben vom Farbkolben gelöst ist, liegt das Problem wahrscheinlich im Flüssigkeitsabschnitt. Falls Sie Hilfe benötigen, suchen Sie bitte ein von Titan zugelassenes Service-Center auf. Wenn der Hydraulikmotor nicht schaltet, prüfen Sie die hydraulische Kolbenstangendichtung.
6. Entfernen Sie die Steckverbindung der hydraulischen Kolbenstangendichtung, die die Stangendichtung, den O-Ring und den Stangenschleißring enthält. Prüfen Sie diese auf Beschädigung und ersetzen Sie gegebenenfalls die Stangendichtung, den O-Ring oder den Stangenschleißring. Wenn die Stangendichtung, der O-Ring und der Stangenschleißring nicht beschädigt sind, prüfen Sie die hydraulische Kolbenkopfdichtung.
7. Entfernen Sie den Hydraulikkolben und prüfen/ersetzen Sie gegebenenfalls die Kolbenkopfdichtung und den Schleißring des Kolbenkopfes. Prüfen Sie bei diesem Vorgang die Zylinderbohrung auf Schäden oder ungleichmäßigen Verschleiß. Wenn die Zylinderbohrung beschädigt ist, ersetzen Sie den Pumpenblock zusammen mit der Kolbenkopfdichtung und dem Kolbenkopf-Verschleißring.
8. Wenn weiterhin Probleme bestehen, wenden Sie sich an das von Titan zugelassene Service-Center.



## 8.4 SPRITZMUSTER

### PROBLEM

A. Schweif



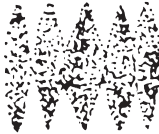
B. Stundenglas



C. Verzerrt



D. Muster ausgedehnt und zusammengedrückt (Schub)



E. Rundes Muster



### GRUND

1. Mangelhafte Flüssigkeitszufuhr

1. Mangelhafte Flüssigkeitszufuhr

1. Verstopfte oder abgenutzte Düse

1. Anslagleck  
2. Pulsierende Flüssigkeitszufuhr

1. Abgenutzte Düse  
2. Flüssigkeit zu dickflüssig für Düse

### LÖSUNG

1. Flüssigkeit atomisiert nicht richtig: Flüssigkeitsdruck vergrößern. Düse mit einer kleineren Düse auswechseln. Flüssigkeitsviskosität verringern. Schlauchlänge verringern. Spritzpistole und Filter reinigen. Anzahl Spritzpistolen, die von der Pumpe bedient werden reduzieren.

1. Gleich wie oben.

1. Düse reinigen oder ersetzen.

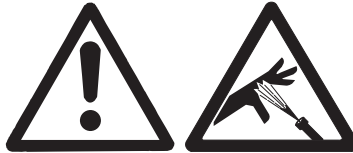
1. Ansaugschlauch auf Leck überprüfen.  
2. Düse mit einer kleineren Düse auswechseln. Pulsschlagdämpfer im System installieren oder existierender Dämpfer ablassen. Anzahl Spritzpistolen die von der Pumpe bedient werden reduzieren. Beschränkungen im System beseitigen; Düsengitter reinigen wenn Filter benutzt wird.

1. Düse ersetzen.  
2. Druck erhöhen. Material verdünnen. Düse auswechseln.

# Attention!

## Danger de blessure par injection de produit!

Les groupes "Airless" produisent des pressions de projection extrêmement élevées.



**1**

**Ne jamais exposer les doigts, les mains ou d'autres parties du corps au jet!**

**Ne jamais diriger le pistolet vers soi, vers d'autres personnes ou vers des animaux.**

**Utiliser toujours le pistolet muni de sa protection.**

**Ne traitez pas une blessure par injection comme simple coupure. En cas de blessure de la peau par l'injection de peintures ou de solvants, consultez sans retard un médecin. Renseignez le médecin sur la nature de la peinture ou du solvant utilisés.**

**2**

**Avant toute mise en service, respecter les points suivants conformément aux instructions de service:**

1. Ne jamais utiliser un équipement défectueux.
2. Verrouiller le pistolet Titan par le levier de sécurité à la gâchette.
3. Assurer la mise à la terre correcte.
4. Vérifier et respecter les pressions admissibles pour le flexible et le pistolet.
5. Contrôler l'étanchéité de tous les raccords.

**3**

**Respecter sans faute les instructions relatives au nettoyage et à l'entretien réguliers du matériel.**

**Avant toute intervention sur le matériel et pendant chaque interruption de travail, observer les règles suivantes:**

1. Evacuer la pression du pistolet et du flexible.
2. Verrouiller le pistolet Titan par le levier de sécurité à la gâchette.
3. Arrêter le groupe.

# Ne négligez pas la sécurité!

<b>1</b>	<b>PRESCRIPTIONS DE SÉCURITÉ POUR LA PROJECTION AIRLESS</b>	<b>68</b>	<b>7</b>	<b>ENTRETIEN</b>	<b>86</b>
1.1	Explication des symboles utilisés	68	7.1	Entretien quotidien	86
1.2	Sécurité en électricité	68	7.2	Lubrification des garnitures supérieures	86
1.3	Dangers pour la sécurité	68	7.3	Entretien du filtre	86
1.4	Utilisation sur un terrain incliné	70	7.4	Entretien du système hydraulique	87
1.5	Sécurité du moteur à essence	70	7.5	Entretien de la section des fluides	88
1.6	Ravitaillement (moteur à essence)	71	7.6	Tuyau flexible haute pression	89
			7.7	Entretien de base du moteur (moteur à essence)	89
			7.8	Entretien du moteur hydraulique	90
<b>2</b>	<b>GÉNÉRALITÉS D'UTILISATION</b>	<b>72</b>	7.9	Maintenance de la section des liquides	92
2.1	Domaines d'utilisation	72	7.10	Remplacement de la courroie	94
2.2	Produits de revêtement	72			
<b>3</b>	<b>DESCRIPTION DU MATÉRIEL</b>	<b>73</b>	<b>8</b>	<b>DÉPANNAGE</b>	<b>95</b>
3.1	Le procédé Airless	73	8.1	Pistolet sans air	95
3.2	Fonctionnement du matériel	73	8.2	Section des liquides	95
3.3	Illustration groupes PowrBeast avec moteur à essence	74	8.3	Moteurs hydrauliques	96
3.4	Illustration groupes PowrBeast avec moteur électrique	75	8.4	Répartition de la pulvérisation	97
3.5	Caractéristiques techniques	76			
3.6	Transport	77	<b>ACCESSOIRES ET PIÈCES DE RECHANGE</b>	<b>98</b>	
<b>4</b>	<b>FONCTIONNEMENT</b>	<b>77</b>	Liste des pièces de rechange ensemble principal I	98/99	
4.1	Installation	77	Liste des pièces de rechange ensemble principal II	100/101	
4.2	Démarrage du moteur (modèles à essence)	79	Liste des pièces de rechange ensemble de chariot	102/103	
4.3	Préparation d'un nouveau vaporisateur	79	Liste des pièces de rechange du système hydraulique	104/105	
4.4	Préparation avant de peindre	80	Liste des pièces de rechange du section des liquides • PowrBeast 4700 / PowrBeast 4700T	106/107	
4.5	Peinture	81	Liste des pièces de rechange du section des liquides • PowrBeast 7700 / 9700	108/109	
4.6	Procédure de décharge de pression	81	Liste des pièces de moteur hydraulique	110/111	
<b>5</b>	<b>PULVÉRISATION</b>	<b>82</b>	Liste des pièces de rechange filtre à haute pression	112/113	
5.1	Nettoyage d'une buse obstruée	82	Liste des pièces de rechange assemblage de la soupape de décharge	114	
5.2	Interruptions de travail	83	Liste des pièces de rechange assemblage de la soupape de décharge, revêtements épais	115	
5.3	Manipulation du flexible à haute pression	83	Liste des pièces de rechange pour l'ensemble du solénoïde	116/117	
<b>6</b>	<b>NETTOYAGE</b>	<b>84</b>	<b>SCHÉMA ÉLECTRIQUE (120V)</b>	<b>118</b>	
6.1	Consignes spéciales de nettoyage lors de l'utilisation du pistolet avec des solvants inflammables	84	<b>SCHÉMA ÉLECTRIQUE (230V)</b>	<b>119</b>	
6.2	Nettoyage du pulvérisateur	84	<b>SCHÉMA ÉLECTRIQUE (MOTEUR À ESSENCE)</b>	<b>120</b>	
6.3	Nettoyage extérieur du groupe	84	<b>DIAGRAMME HYDRAULIQUE</b>	<b>121</b>	
6.4	Nettoyage de la crépine	85	<b>ACCESSOIRES POUR GROUPES POWRBEAST</b>	<b>122/123</b>	
6.5	Nettoyage du pistolet Airless	85	<b>GARANTIE</b>	<b>128</b>	

# 1 PRESCRIPTIONS DE SÉCURITÉ POUR LA PROJECTION AIRLESS

## 1.1 EXPLICATION DES SYMBOLES UTILISÉS

Veillez lire et être sûr de comprendre toutes les informations contenues dans ce manuel avant d'utiliser l'appareil. Lorsque vous pénétrez dans une zone qui contient les symboles suivants, soyez particulièrement vigilant et vérifiez que les systèmes de sécurité sont bien installés.



→ Ce symbole indique un risque potentiel pouvant entraîner des blessures graves ou même mortelles. Vous trouverez ci-après d'importantes consignes de sécurité.



Attention

→ Ce symbole indique un risque potentiel pour vous ou pour l'appareil. D'importantes informations sur la manière d'éviter tout dommage de l'équipement ou d'éviter des blessures légères sont indiquées ci-après.



→ Danger de blessure par injection de produit



→ Danger d'incendie



→ Risque d'explosion



→ Vapeurs toxiques et/ou inflammables. Danger d'intoxication et de brûlure



→ Risque de blessure par choc électrique



→ Les notes contiennent des informations qui doivent être consciencieusement respectées.



→ **AVERTISSEMENT! AVERTISSEMENT EN FONCTION DE LA PROPOSITION 65 DE LA CALIFORNIE**

Cet appareil peut vous exposer à des produits chimiques, y compris le plomb, reconnus par l'État de la Californie pour causer le cancer, des anomalies congénitales ou d'autres troubles de la reproduction.

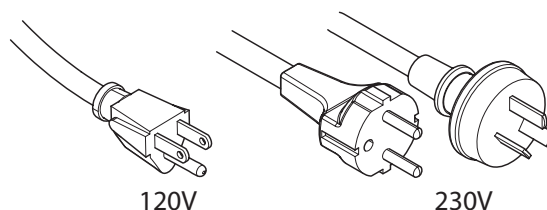
L'échappement des moteurs des modèles ayant un moteur à essence peut vous exposer au monoxyde de carbone, reconnu par l'État de la Californie pour causer le cancer, des anomalies congénitales ou d'autres troubles de la reproduction.

Pour de plus amples renseignements, consultez le site Web [www.P65warnings.ca.gov](http://www.P65warnings.ca.gov).

## 1.2 SÉCURITÉ EN ÉLECTRICITÉ

Les modèles électriques doivent être reliés à la terre. En cas de court-circuit électrique, la mise à la terre réduit les risques de choc électrique en fournissant un fil d'échappement pour le courant électrique. Ce produit est équipé d'un câble avec un fil de mise à la terre et une fiche de mise à la terre adaptée. Branchement au réseau seulement par un point d'alimentation spécial, par exemple par un disjoncteur à courant de défaut de INF < 30 mA.

- Une mauvaise installation de la prise de mise à la terre peut entraîner un risque de choc électrique.
- Ce produit est conçu pour être utilisé sur un circuit de 120 V ou 230 V et est muni d'une prise de mise à la terre semblable aux prises dans l'image ci-dessous.



120V

230V

- Branchez l'appareil dans une prise de courant ayant la même configuration que la prise uniquement.
- N'utilisez pas un adaptateur 3 à 2 avec ce produit.



**DANGER** — Les travaux ou réparations sur l'équipement électrique doivent être confiés uniquement à un électricien qualifié. Nous déclinons toute responsabilité en cas d'installation inappropriée. Arrêter l'appareil. Avant toutes réparations, tirer la fiche de la prise de courant.



Danger de court-circuit par la pénétration d'eau dans l'équipement électrique. Ne jamais nettoyer le matériel avec un jet d'eau ou de vapeur sous haute pression.

## 1.3 DANGERS POUR LA SÉCURITÉ



CONSIGNES DE SÉCURITÉ IMPORTANTES  
CONSERVEZ CES INSTRUCTIONS.



### MISE EN GARDE : BLESSURE PAR PROJECTION

Un courant de liquide à haute pression produit par cet équipement peut percer la peau et les tissus sous-cutanés, et entraîner des blessures graves ou une amputation.

Ne traitez pas une blessure par injection comme simple coupure. En cas de blessure de la peau par l'injection de peintures ou de solvants, consultez sans retard un médecin. Renseignez le médecin sur la nature de la peinture ou du solvant utilisés.

#### PRÉVENTION :

- NE dirigez JAMAIS le pistolet vers une partie du corps, quelle qu'elle soit.
- NE laissez JAMAIS une partie du corps entrer en contact avec le flux de liquide. NE laissez JAMAIS votre corps au contact d'une fuite dans le tuyau de liquide.
- NE placez JAMAIS vos mains devant le pistolet. Les gants ne constituent pas un rempart suffisant contre les blessures par projection.
- Bloquez TOUJOURS la gâchette du pistolet, éteignez la pompe et vidangez toute la pression avant toute opération d'entretien, avant de nettoyer une buse ou une protection, avant de changer une buse ou si vous laissez l'appareil sans surveillance. La pression ne s'évacue pas simplement en éteignant le moteur. La vanne PRIME/SPRAY ou la vanne de décharge de la pression doivent être placées dans les positions souhaitées pour vidanger la pression.
- Conservez TOUJOURS la protection de la buse en place lorsque vous pulvérisez. La protection de la buse fournit une certaine protection mais il s'agit principalement d'un système d'alarme.
- Enlevez TOUJOURS la buse de pulvérisation avant de rincer ou de nettoyer le système.
- N'utilisez JAMAIS un pistolet pulvérisateur sans blocage de gâchette et sans protection de gâchette.
- Tous les accessoires doivent pouvoir travailler à la pression de travail maximale du pulvérisateur ou au-dessus. Ceci concerne les buses de pulvérisation, les pistolets, les rallonges et le tuyau.



### MISE EN GARDE : FLEXIBLE À HAUTE PRESSION

Le tuyau de peinture peut présenter des fuites dues à l'usure, aux pincements et aux mauvaises utilisations. Toute fuite peut entraîner une projection de matériau dans la peau. Vérifiez soigneusement le tuyau avant chaque utilisation.

#### PRÉVENTION :

- Il faut éviter de trop plier le flexible; le plus petit rayon ne doit pas être inférieur à 20 cm.

- Protéger le flexible contre le passage de véhicules et éviter le frottement sur des arêtes vives.
- Remplacer immédiatement tout tuyau à haute pression endommagé.
- Ne jamais essayer de réparer un flexible endommagé!
- La charge électrostatique du pistolet et du flexible est évacuée par ce dernier. Pour cette raison, la résistance électrique entre les raccords du flexible doit être égale ou inférieure à 1 mégaohm.
- Pour des raisons de fonctionnement, de sécurité et de durée utile utiliser exclusivement des flexibles à haute pression originaux de Titan.
- Avant chaque utilisation, vérifiez que les tuyaux ne présentent ni coupures, ni fuites, ni signes d'abrasion ou de renflement du revêtement. Vérifiez l'état et le mouvement des raccords. Remplacez immédiatement les tuyaux s'ils sont en mauvais état. Ne réparez jamais un tuyau de peinture. Remplacez-le par un tuyau à haute-pression relié à la masse.
- Assurez vous que le tuyau à air et les tuyaux de pulvérisation sont disposés de façon à éviter les risques de glissade, de trébuchement ou de chute.
- N'exposez pas le tuyau à des températures ou des pressions dépassant celles précisées par les fabricants.
- N'utilisez pas le tuyau comme élément de renforcement pour tirer ou lever l'équipement.



### MISE EN GARDE : EXPLOSION ET INCENDIE



Les vapeurs inflammables, telles que les vapeurs de solvant et de peinture, dans une zone de travail peuvent s'enflammer ou exploser.

#### PRÉVENTION :

- Servez-vous de l'équipement dans un endroit bien aéré. Faites circuler beaucoup d'air frais dans l'endroit afin d'éviter l'accumulation de vapeurs inflammables dans la zone de pulvérisation. Entrez l'ensemble de la pompe dans un endroit bien aéré. Ne pulvérisez pas l'ensemble de la pompe.
- Modèles électriques uniquement - N'utilisez pas de peintures ayant un point d'éclair sous 38 °C (100 °F). Le point d'éclair est la température à laquelle un liquide peut produire suffisamment de vapeurs pour s'enflammer.
- Modèles à essence uniquement - Ne faites jamais le plein lorsque le moteur est en marche ou chaud. Éteignez le moteur et laissez-le refroidir. L'essence est inflammable. Elle peut s'enflammer ou exposer si on en renverse sur une surface chaude.
- Éliminez toutes les sources d'inflammation, comme les veilleuses, les cigarettes, les lampes électriques portatives et les toiles de protection en plastique (risque d'arc statique).
- Gardez la zone de travail exempte de débris, y compris des solvants, des chiffons et d'essence.

- Ne branchez ou ne débranchez pas les cordons d'alimentation, ne mettez pas l'appareil en marche, n'allumez ou n'éteignez pas les lumières lorsque des vapeurs inflammables sont présentes.
- Mettez à terre l'équipement et les objets conducteurs dans la zone de travail. Assurez-vous que le câble de mise à la terre (non inclus) relie la patte de mise à la terre à une prise de terre réelle.
- Utilisez uniquement des tuyaux mis à la terre.
- Tenez le pistolet de pulvérisation fermement contre le côté d'un seau mis à la terre lorsque vous pulvérisez dans le seau.
- S'il y a production d'étincelles statiques ou si vous ressentez un choc, arrêtez le fonctionnement immédiatement.
- Soyez au courant du contenu de la peinture et des solvants à pulvériser. Lisez toutes les fiches signalétiques (FS) et les étiquettes des récipients de peinture et de solvant. Suivez les consignes de sécurité du fabricant de peinture et du solvant.
- N'utilisez pas de peinture ou de solvant contenant des hydrocarbures hydrogénés, comme du chlore, de l'eau de Javel, un agent anti-moisissure, du chlorure de méthylène et du trichloroéthane. Ils ne sont pas compatibles avec l'aluminium. Communiquez avec le fournisseur de revêtement au sujet de la compatibilité du produit avec l'aluminium.
- Gardez un extincteur dans la zone de travail.



### MISE EN GARDE : VAPEURS DANGEREUSES

Les peintures, solvants, et autres matériaux peuvent être nocifs en cas d'inhalation ou de contact avec la peau. Les vapeurs peuvent entraîner de sérieuses nausées, des syncopes ou des empoisonnements.

### PRÉVENTION :

- Pendant le travail de protection porter un masque respiratoire. Lisez attentivement toutes les instructions fournies avec le masque pour vous assurer qu'il fournit bien la protection nécessaire.
- Tous les règlements locaux en matière de protection contre les vapeurs toxiques doivent être respectés.
- Portez des protections oculaires.
- Pour protéger la peau il est nécessaire de porter des vêtements de protection, des gants et d'utiliser éventuellement une crème de protection de la peau. Observer les prescriptions des fabricants au sujet des produits de peinture, de nettoyage et des solvants pendant la préparation, la mise en oeuvre et le nettoyage du matériel.



### MISE EN GARDE : GÉNÉRALITÉS

peut entraîner des blessures sévères ou des dégâts matériels.

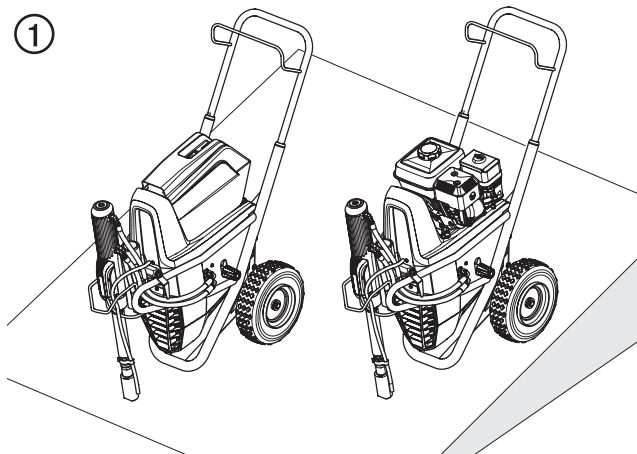
### PRÉVENTION :

- Respectez toutes les réglementations locales et nationales concernant la ventilation, la prévention des incendies et le fonctionnement.
- Lorsque vous appuyez sur la détente, il se produit un mouvement de recul de la main qui tient le pistolet pulvérisateur. Le recul du pistolet pulvérisateur est particulièrement puissant lorsque la buse a été démontée et lorsque la pompe sans air a été réglée sur une pression élevée. Lors du nettoyage sans buse, réglez donc le bouton de contrôle de la pression sur la pression minimale.
- N'utilisez que des pièces de rechange d'origine. L'utilisateur assume tous les risques s'il utilise des pièces qui ne correspondent pas aux spécifications minimales et aux dispositifs de sécurité du fabricant de la pompe.
- Respectez TOUJOURS les consignes du fabricant du matériau pour manipuler la peinture et les solvants en toute sécurité.
- Nettoyez immédiatement les matériaux tombés et le solvant déversé accidentellement, afin d'éviter les risques de glissade.
- Munissez-vous d'une protection auditive. Le bruit émis par cet appareil peut dépasser les 85 dB(A).
- Ne laissez jamais cet outil sans surveillance. Tenez-le hors de portée des enfants ou des personnes non familiarisées avec le fonctionnement des équipements sans air.
- Ne vaporisez pas à l'extérieur en cas de vent.
- L'appareil et tous ses liquides (p. ex., huile hydraulique) doivent être détruits sans danger pour l'environnement.
- Restez vigilant et surveillez ce que vous faites.
- N'utilisez pas l'appareil lorsque vous êtes fatigués ou sous l'influence de drogues ou d'alcool.
- Ne vous penchez pas trop ou ne vous tenez pas sur un support instable. Gardez une position stable et un bon équilibre en tout temps.

### 1.4 UTILISATION SUR UN TERRAIN INCLINÉ

La partie avant du groupe doit montrer vers le bas afin d'éviter un déplacement involontaire.

Sur les supports inclinés, l'appareil ne peut pas être utilisé, vu qu'il a tendance à migrer du fait des vibrations.



## 1.5 SÉCURITÉ DU MOTEUR À ESSENCE

1. Les moteurs à essence sont conçus pour offrir un service sûr et stable à condition d'être utilisés conformément aux instructions. Lisez attentivement et assurez-vous de bien comprendre le Manuel d'utilisateur du fabricant du moteur avant d'utiliser le moteur. Dans le cas contraire, vous pourriez vous blesser ou endommager l'équipement.
2. En vue d'éviter tout risque d'incendie et de fournir une ventilation adéquate, conservez le moteur à 1 mètre (3 pieds) minimum de tout bâtiment et de tout autre équipement pendant son fonctionnement. Ne placez pas d'objets inflammables à proximité du moteur.
3. Les personnes qui n'utilisent pas l'appareil doivent s'en éloigner afin d'éviter le risque de brûlures des composantes chaudes du moteur ou le danger de blessures provenant de l'équipement utilisé pour faire fonctionner l'appareil.
4. Sachez comment arrêter rapidement le moteur, et veillez à bien comprendre le fonctionnement de toutes les commandes. N'autorisez jamais personne à utiliser le moteur sans prendre connaissance des instructions adéquates.
5. L'essence est un produit extrêmement inflammable pouvant exploser sous certaines conditions.
6. Faites le plein d'essence dans une zone suffisamment ventilée, le moteur à l'arrêt. Ne fumez pas et évitez tout flamme ou étincelle dans la zone d'alimentation en essence ou dans le lieu où est stockée l'essence.
7. Ne remplissez pas trop le réservoir d'essence. Après avoir fait le plein d'essence, assurez-vous que le couvercle du réservoir est correctement et solidement refermé.
8. Faites attention à ne pas répandre de l'essence lors du remplissage du réservoir. Les vapeurs d'essence ou l'essence répandue sont susceptibles de s'enflammer. Si vous venez à déverser de l'essence, assurez-vous que la zone est bien sèche avant de mettre le moteur en marche.
9. Ne faites jamais fonctionner le moteur dans un espace clos ou confiné. L'échappement contient du monoxyde de carbone toxique ; toute exposition pourrait occasionner une perte de connaissance, voire entraîner la mort.
10. Le pot d'échappement devient extrêmement chaud pendant le fonctionnement et reste chaud pendant un certain moment même après l'arrêt du moteur. Veillez à ne pas toucher le pot d'échappement lorsqu'il est chaud. En vue d'éviter de sérieuses brûlures ou des risques d'incendie, laissez refroidir le moteur avant de le transporter ou de le ranger à l'intérieur.
11. Ne déplacez / transportez jamais le pulvérisateur lorsqu'il y a de l'essence dans le réservoir.

## 1.6 RAVITAILLEMENT (MOTEUR À ESSENCE)



L'essence est extrêmement inflammable et explosive dans certaines conditions.

## SPÉCIFICATIONS DU CARBURANT

- Utilisez une essence automobile ayant un indice d'octane d'au moins 86, ou un indice d'octane recherche d'au moins 91. L'utilisation d'une essence ayant un indice d'octane inférieur peut causer un « cognement » ou une « détonation » (un bruit d'ébranlage métallique) tenace qui, s'il est grave, peut endommager le moteur.



S'il y a un « cognement » ou une « détonation » à une vitesse constante avec une charge normale, utilisez une autre marque d'essence. Si vous obtenez toujours un cognement ou une détonation, consultez un distributeur agréé du fabricant de moteurs. Le fait de ne pas suivre cette directive constitue un abus. Les dommages causés par l'abus ne sont pas couverts par la garantie restreinte du fabricant du moteur.

Il se peut que vous entendiez parfois une détonation légère pendant le fonctionnement avec des charges lourdes. Il n'y a aucune raison de s'inquiéter, cela signifie simplement que votre moteur fonctionne de façon efficiente.

- L'essence sans plomb produit moins de dépôts du moteur et de la bougie, et rallonge la durée de vie des composantes du système d'échappement.
- Ne jamais utiliser de l'essence éventée ou contaminée, ou un mélange d'huile et d'essence. Évitez de laisser entrer de la saleté, de la poussière ou de l'eau dans le réservoir à essence.

## ESSENCES CONTENANT DE L'ALCOOL

Si vous décidez d'utiliser une essence qui contient de l'alcool (gasohol), assurez-vous qu'elle a au moins un indice d'octane correspondant à celui qui est recommandé par le fabricant du moteur. Il existe deux types de « gasohol » : un type contient de l'éthanol, tandis que l'autre contient du méthanol. N'utilisez pas un gasohol qui contient plus de 10 % d'éthanol. N'utilisez pas d'essence qui contient du méthanol (alcool méthylique ou de bois), mais qui n'inclut pas également des cosolvants et des inhibiteurs de corrosion pour le méthanol. N'utilisez jamais de l'essence qui contient plus de 5 % de méthanol, même si elle contient également des cosolvants et des inhibiteurs de corrosion.



Les dommages au système d'alimentation ou les problèmes de rendement du moteur découlant de l'utilisation d'essences contenant de l'alcool ne sont pas couverts par la garantie. Le fabricant du moteur ne peut pas approuver l'utilisation d'essences contenant du méthanol étant donné que leur adaptation n'a pas encore été éprouvée.

Avant d'acheter de l'essence d'une station-service inconnue, essayez de savoir si l'essence contient de l'alcool. Si elle en contient, confirmez le type d'alcool utilisé, ainsi que le pourcentage inclus. Si vous remarquez des caractéristiques de fonctionnement indésirables lorsque vous utilisez une essence qui contient de l'alcool, ou que vous croyez qu'elle contient de l'alcool, utilisez une essence dont vous êtes certains qu'elle ne contient pas d'alcool.

## 2 GÉNÉRALITÉS D'UTILISATION

### 2.1 DOMAINES D'UTILISATION

Le domaine principal d'utilisation est l'application de couches épaisses de produits visqueux sur grandes surfaces avec débit élevé.

Couches de fond et de finition de surfaces importantes, scellement, imprégnation, assainissement de bâtiments, protection et rénovation de façades, protection antirouille et de bâtiments, revêtement de toits, assainissement de béton, protection anticorrosion lourde.

#### EXEMPLES DE TRAVAUX

Génie civil, tours de refroidissement, ponts, stations d'épuration et toits plats.

	N'UTILISEZ PAS cet appareil pour pulvériser de l'eau ou de l'acide.
	Ne vous servez pas de la poignée du chariot pour soulever lors du chargement ou du déchargement. L'appareil est très lourd. Trois personnes sont nécessaires pour les soulever.

### 2.2 PRODUITS DE REVÊTEMENT

#### PRODUITS DE REVÊTEMENT UTILISABLES

Laques et peintures diluables à l'eau et solvantées, produits de revêtement à deux composants, dispersions, peintures latex.

Mise en œuvre d'autres produits seulement avec l'accord de Titan.

	Veiller à la qualité Airless des produits utilisés.
--	---

#### VISCOSITÉ

L'appareil permet de mettre en œuvre des produits de revêtement d'une viscosité jusqu'à 50.000 / 65.000 mPas. Si le débit de pulvérisation diminue fortement pour des produits de revêtement de haute viscosité, diluer conformément aux indications du fabricant.

	Si le produit est remué avec un agitateur mécanique, éviter la formation de bulles d'air dans le produit qui pourraient entraîner des arrêts de fonctionnement.
--	---

#### PRODUITS DE REVÊTEMENT AVEC ADDITIFS À ARÊTES VIVES

Ces particules exercent une forte action abrasive sur les vannes et la buse, ainsi que sur le pistolet de pulvérisation. La durée de vie de ces pièces d'usure en est fortement réduite.

#### PRODUITS À DEUX COMPOSANTS

Respecter scrupuleusement le temps d'utilisation correspondant (vie en pot). Rincer et nettoyer le matériel à l'intérieur de ce temps avec le produit de nettoyage adéquat.

#### FILTRATION

Une filtration suffisante est nécessaire pour un fonctionnement sans perturbation. L'appareil est muni d'un filtre d'aspiration, d'un filtre d'insertion dans le pistolet de pulvérisation et d'un filtre à haute pression. Un contrôle régulier de ces filtres pour détérioration ou encrassement est instamment recommandé.



### 3 DESCRIPTION DU MATÉRIEL

#### 3.1 LE PROCÉDÉ AIRLESS

Le domaine principal d'utilisation est l'application de couches épaisses de produits visqueux sur grandes surfaces avec débit élevé.

La pompe à piston aspire le produit et le refoule sous pression vers la buse. En passant par l'orifice de la buse avec une pression de maximum 22,8 MPa (228 bar) le produit est éclaté en très fines particules.

Etant donné l'absence d'air dans ce système, il est connu sous le nom „AIRLESS“ (sans air).

Ce procédé de projection comporte les avantages tels que pulvérisation très fine, peu de brouillard, surfaces lisse sans bulles. A part de ces avantages, il y a lieu de mentionner la vitesse de travail et la maniabilité.

#### 3.2 FONCTIONNEMENT DU MATÉRIEL

Pour mieux comprendre le fonctionnement, voici une brève description de la conception technique.



Ce manuel donne des renseignements concernant les modèles ayant un moteur électrique ou un moteur à essence PowrBeast.

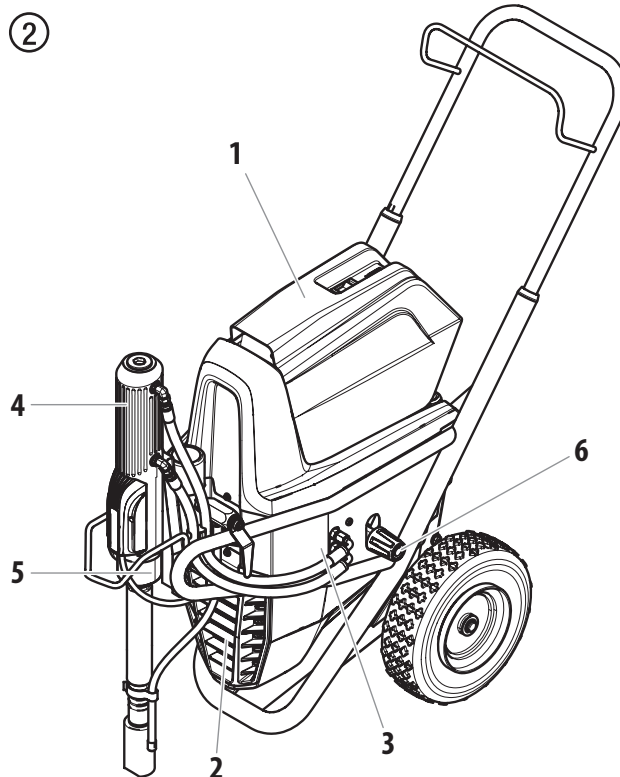
TITAN PowrBeast sont des groupes de projection à haute pression entraînés par moteur à essence ou moteur électrique.

Le moteur à essence ou moteur électrique (fig. 1, pos. 1) entraîne la pompe hydraulique (3) par l'intermédiaire de la courroie trapézoïdale sous sa protection (2). L'huile hydraulique arrive au moteur hydraulique (4) et imprime au piston de la pompe de produit (5) un mouvement de montée et de descente.



A la montée du piston la vanne d'aspiration s'ouvre automatiquement. A la descente du piston, le clapet de refoulement s'ouvre.

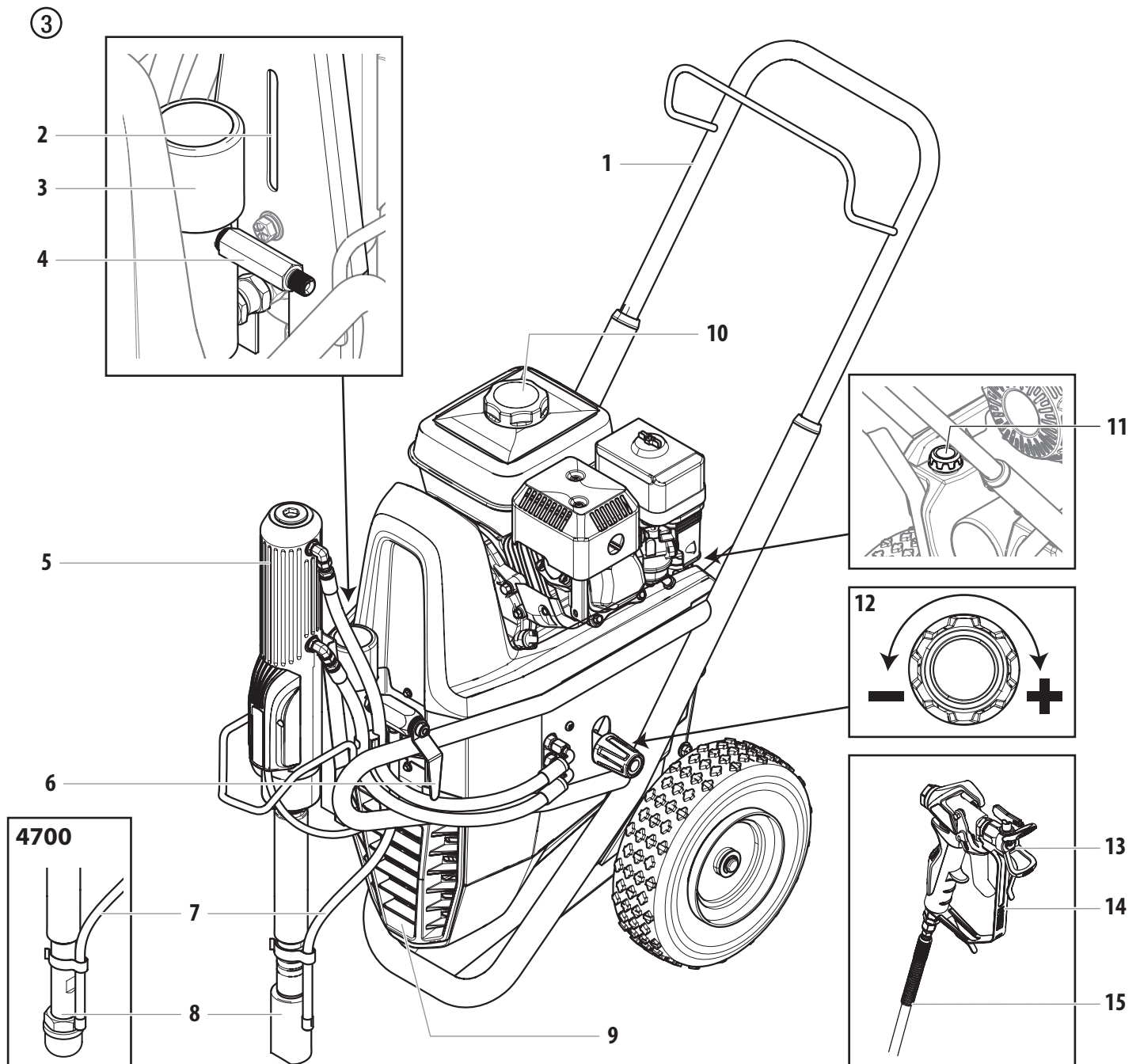
Le produit est refoulé sous haute pression par le flexible au pistolet où il est éclaté en passant par la buse.

La vanne de réglage de pression (6) règle le débit ainsi que la pression de fonctionnement.





### 3.3 ILLUSTRATION GROUPES POWRBEAST AVEC MOTEUR À ESSENCE

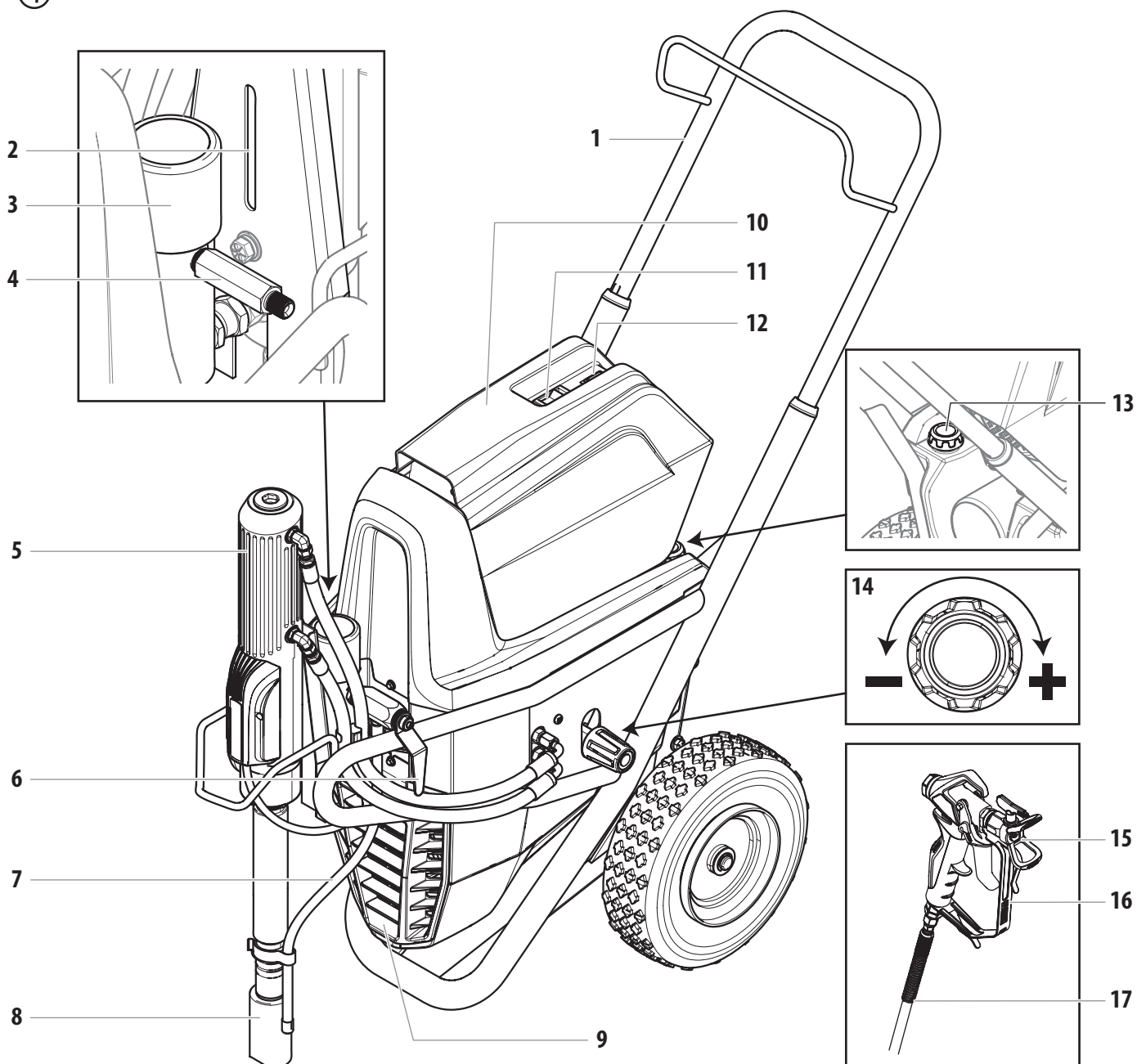
- |   |   |  |
|---|---|--|
| 1. Timon extensible   | 6. Poignée de la vanne de décharge<br>tourner à gauche  circulation<br>tourner à droite  projection | 10. Moteur à essence                         |
| 2. Ouverture de remplissage pour<br>l'huile de balayage (l'huile de<br>balayage empêche usure rapide<br>des garnitures) | 7. Tuyau de décharge  | 11. Jauge de niveau d'huile                  |
| 3. Filtre à haute pression  | 8. Tube du siphon   | 12. Bouton de réglage de pression            |
| 4. Sortie du tuyau à haute pression   | 9. Courroie trapézoïdale sous sa<br>protection  | 13. Protecteur de buse avec buse sans<br>air |
| 5. Moteur hydraulique   |   | 14. Pistolet de projection                   |
|   |   | 15. Flexible haute pression                  |



### 3.4 ILLUSTRATION GROUPES POWRBEAST AVEC MOTEUR ÉLECTRIQUE

- |  |   |  |
|--|---|--|
| 1. Timon extensible  | 6. Poignée de la vanne de décharge<br>tourner à gauche  circulation<br>tourner à droite  projection | 11. Interrupteur MARCHE/ARRET  |
| 2. Ouverture de remplissage pour l'huile de balayage (l'huile de balayage empêche usure rapide des garnitures) | 7. Tuyau de décharge  | 12. Dès que la fiche de réseau est branchée, le voyant vert s'allume |
| 3. Filtre à haute pression   | 8. Tube du siphon   | 13. Jauge de niveau d'huile  |
| 4. Sortie du tuyau à haute pression  | 9. Courroie trapézoïdale sous sa protection   | 14. Bouton de réglage de pression                                    |
| 5. Moteur hydraulique  | 10. Moteur électrique   | 15. Protecteur de buse avec buse sans air                            |
|  |   | 16. Pistolet de projection   |
|  |   | 17. Flexible haute pression  |

④



### 3.5 CARACTÉRISTIQUES TECHNIQUES

	PowrBeast 4700T (120V)	PowrBeast 4700 (120V)	PowrBeast 4700 (gas)	PowrBeast 7700 (230V)	PowrBeast 7700 (gas)	PowrBeast 9700 (gas)
<b>Moteur à essence, puissance</b>						
	-----	-----	Honda GX160	-----	Honda GX200	Honda GX270
<b>Capacité du réservoir d'essence</b>						
	-----	-----	3,1 l	-----	3,1 l	6,06 l
<b>Tension</b>						
	~ 120V, 50/60 Hz	~ 120V, 50/60 Hz	-----	~ 230V, 50/60 Hz	-----	-----
<b>Puissance absorbée</b>						
	1,3 kW	1,3 kW	-----	3,1 kW	-----	-----
<b>Cordon d'alimentation</b>						
	3 x 2,5 mm <sup>2</sup> – 6 m	3 x 2,5 mm <sup>2</sup> – 6 m	-----	3 x 2,5 mm <sup>2</sup> – 6 m	-----	-----
<b>Fusible</b>						
	15 A	15 A	-----	15 A	-----	-----
<b>Pression de service maximale</b>						
	22,8 MPa (228 bar)	22,8 MPa (228 bar)	22,8 MPa (228 bar)	22,8 MPa (228 bar)	22,8 MPa (228 bar)	22,8 MPa (228 bar)
<b>Niveau sonore maximum</b>						
	80 dB (A)*	80 dB (A)*	92 dB (A)*	80 dB (A)*	92 dB (A)*	98 dB (A)*
<b>Orifice de buse maximum avec un pistolet</b>						
1-pistolet	0,035" – 0,89 mm	0,035" – 0,89 mm	0,041" – 1,04 mm	0,043" – 1,09 mm	0,047" – 1,19 mm	0,055" – 1,40 mm
2-pistolet	0,023" – 0,58 mm	0,023" – 0,58 mm	0,029" – 0,73 mm	0,031" – 0,79 mm	0,033" – 0,84 mm	0,039" – 0,99 mm
3-pistolet	0,019" – 0,48 mm	0,019" – 0,48 mm	0,021" – 0,53 mm	0,023" – 0,58 mm	0,027" – 0,68 mm	0,031" – 0,79 mm
4-pistolet	-----	-----	0,019" – 0,48 mm	0,021" – 0,53 mm	0,023" – 0,58 mm	0,027" – 0,68 mm
<b>Débit maximum</b>						
	4,75 l/min	4,75 l/min	6,00 l/min	6,00 l/min	7,60 l/min	11,4 l/min
<b>Poids</b>						
	85 kg	82 kg	78 kg	85 kg	81 kg	90 kg
<b>Système d'aspiration</b>						
	submersible	standard	standard	submersible	submersible	submersible
<b>Viscosité maximale</b>						
	50.000 mPa·s				65.000 mPa·s	
<b>Encombrement longueur-largeur-hauteur</b>						
	117 x 64 x 112 cm					
<b>Température maximale du produit</b>						
	43° C					
<b>Cartouche filtrante (équipement standard)</b>						
	-----	50 mailles, 56 cm <sup>2</sup>	50 mailles, 56 cm <sup>2</sup>	50 mailles, 56 cm <sup>2</sup>	50 mailles, 56 cm <sup>2</sup>	5 mailles, 56 cm <sup>2</sup>
<b>Capacité d'huile hydraulique</b>						
	5,9 l (1,56 gal) CoolFlo					
<b>Pression maximale de gonflage des pneus</b>						
	0,2 MPa (2 bar, 30 psi)					
<b>Fouet du flexible</b>						
	DN 10 mm, 15 m, raccord NPSM 1/4	DN 6 mm, 15 m, raccord NPSM 1/4				

\* Lieu de mesure: à distance latérale de 1 m de l'appareil et 1,60 m au-dessus du sol, pression de service 12 MPa (120 bars), sol réverbérant.

### TEMPÉRATURE DE FONCTIONNEMENT

Cet équipement fonctionnera correctement à sa température ambiante visée, entre +10°C et +40°C au moins.

### HUMIDITÉ RELATIVE

Cet équipement fonctionnera correctement dans un milieu ayant une humidité relative de 50 %, à +40°C. Une humidité relative plus élevée peut être permise à des températures plus basses.

L'acheteur doit prendre des mesures afin d'éviter les effets destructeurs de la condensation accidentelle.

### ALTITUDE

Cet équipement fonctionnera correctement jusqu'à 2 100 m au-dessus du niveau moyen de la mer.

### TRANSPORT ET ENTREPOSAGE

Cet équipement résistera aux températures de transport et d'entreposage entre -25°C et +55°C et jusqu'à +70°C pour des périodes courtes, ou il est protégé pour résister à ces températures.

Son emballage prévient les dommages des effets de l'humidité, de la vibration et des coups normaux.

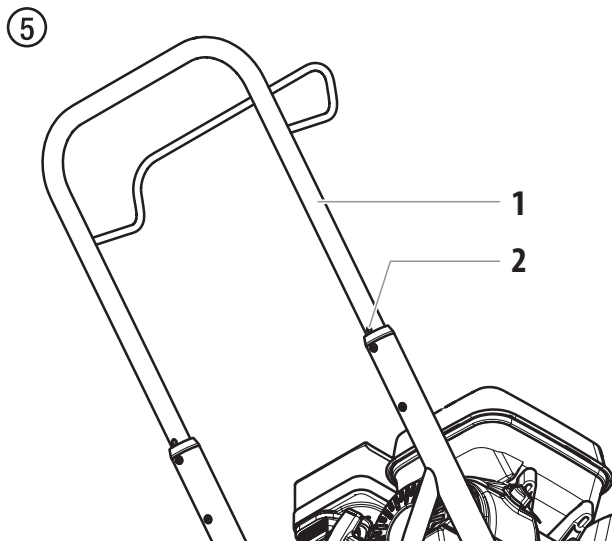
## 3.6 TRANSPORT

### TRANSPORT PAR VÉHICULE

Assurer le matériel par des moyens de fixation appropriés

### POUSSER OU TIRER LE MATÉRIEL

Sortir la poignée (fig. 5, pos. 1) en butée. Pour rentrer la poignée - enfoncer les boutons (2) sur les tubes du châssis, puis rentrer la poignée.



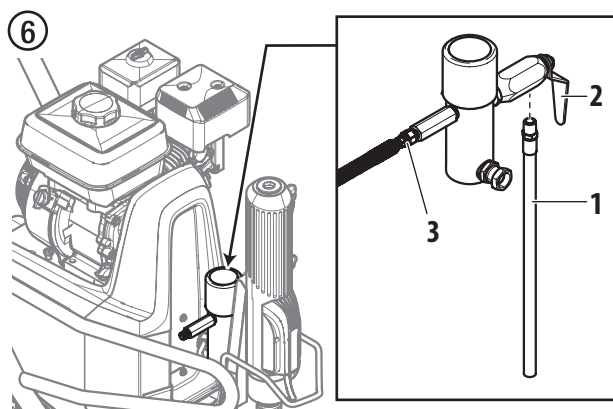
## 4 FONCTIONNEMENT



L'équipement produit un flot de fluides à extrêmement haute pression. Lisez et comprenez les avertissements de la section des Mesures de sécurité à l'avant du manuel avant d'utiliser l'équipement.

### 4.1 INSTALLATION

1. S'assurer que le tuyau de purge (fig. 6, article 1) est vissé dans la vanne de purge (2). Le raccord a été recouvert de ruban de PTFE à l'usine, il devrait donc être serré à l'aide d'une clé.
2. Attachez au moins 15 m de tuyau en nylon (3) du pistolet sans air au pulvérisateur. N'utilisez pas de ruban de PTFE ou de pâte d'étanchéité pour raccords filetés sur le raccord du tuyau de pulvérisation.

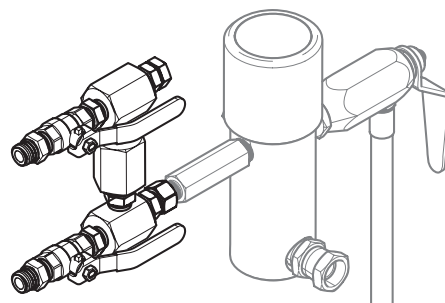


3. Attachez un pistolet de pulvérisation sans air au tuyau de pulvérisation. N'attachez pas encore la buse de pulvérisation au pistolet. Retirez la buse si elle se trouve déjà sur le pistolet.




Pour le fonctionnement à pistolets multiples, branchez un collecteur à pistolets multiples à la sortie du pistolet simple. Branchez un tuyau et un pistolet à chaque sortie. Assurez-vous que la sortie du second pistolet demeure branchée. Consultez les « Caractéristiques techniques » à la section 3.5 afin de déterminer le nombre de pistolets et la taille maximale de la buse de pulvérisation.

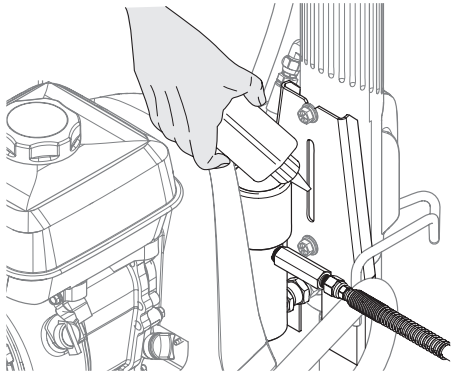
7




4. Remplissez la coupelle d'huile à moitié avec de l'huile Piston Lube (n° de pièce 314-480), ceci permet d'accroître la durée de vie de l'équipement.

 <b>Attention</b>	Piston Lube empêche l'usure prématurée des garnitures.
---	--


⑧




5. Contrôlez tous les jours le niveau de fluide avant de lancer l'appareil. Le niveau de fluide hydraulique devrait toucher le bas de la jauge. Consultez les directives d'entretien du système hydraulique à la section Entretien du présent manuel.

 <b>Attention</b>	Dans le système hydraulique, vous devez impérativement employer un liquide hydraulique approuvé par Titan (Titan Coolflo, n° de pièce 430-361). N'utilisez aucun autre liquide hydraulique, il pourrait gravement endommager le circuit hydraulique et annuler la garantie.
---	---

6. Modèles du moteur à essence - Contrôlez tous les jours le niveau d'huile dans le réservoir avant de démarrer l'appareil. Le niveau d'huile du moteur à essence est déterminé par le fabricant du moteur. Consultez le manuel d'entretien du fabricant du moteur fourni avec ce modèle.
7. Dans le cas des modèles électriques, utilisez une prise de courant de 15 ampères. Placez toujours le modèle électrique de 3 à 4,5 mètres de la prise de courant. Servez-vous d'un câble électrique court et d'un long tuyau de pulvérisation. L'ajout d'une rallonge électrique diminuera la tension. Si une rallonge est nécessaire, utilisez uniquement une rallonge mise à la terre à trois fils no 12.
8. Vérifiez que l'appareil est bien relié à la terre. Tous les modèles sont équipés d'un œillet de mise à la terre. Un câble de mise à la terre doit être utilisé pour relier l'appareil à la terre. Vérifiez les réglementations locales sur l'électricité pour obtenir des consignes détaillées de mise à la terre.

	Il est important de correctement relier l'appareil à la terre. Ceci vaut aussi bien pour les modèles à essence que les modèles électriques. Le passage de certains matériaux dans le tuyau en nylon produit une charge électrique statique qui peut enflammer les vapeurs de solvant lorsqu'elle est déchargée et peut créer une explosion.
---	---

9. Filtrez toutes les peintures avec un filtre en nylon pour un fonctionnement sans problème et pour éviter d'avoir à nettoyer fréquemment le filtre interne et le filtre du pistolet.
10. Vérifiez que la zone de vaporisation est bien ventilée pour empêcher tout fonctionnement dangereux avec des solvants volatiles ou des fumées d'échappement.

	Si vous devez pulvériser du vernis-laque ou d'autres produits inflammables, placez TOUJOURS le pulvérisateur à l'extérieur de l'aire de pulvérisation, sinon, cela pourrait causer une explosion.
---	---

11. Placez le pulvérisateur à l'extérieur de l'aire de pulvérisation afin d'éviter l'obstruction de la prise d'air du moteur ou la surpulvérisation.

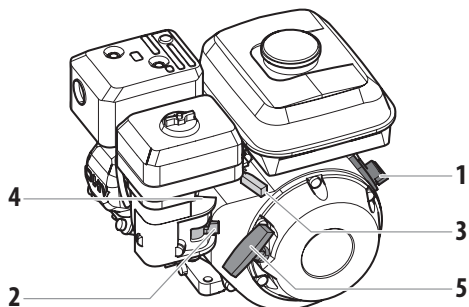
## 4.2 DÉMARRAGE DU MOTEUR (MOTEUR À ESSENCE)



Suivez ces consignes chaque fois que c'est indiqué dans le manuel pour démarrer le moteur.

1. Placez la manette de vanne de carburant (fig. 9, pos. 2) en position ouverte,
2. Placez le levier de papillon d'accélération (3) au milieu.
3. Placez le levier d'étranglement (4) en position fermée pour un moteur froid ou en position ouverte pour un moteur chaud.
4. Mettez la clé de contact (1) sur ON.
5. Tirez fermement sur la corde du démarreur (5) jusqu'à ce que le moteur démarre.

⑨



Si le levier d'étrangleur (4) a été mis en position fermée pour démarrer le moteur, il doit être déplacé à nouveau lorsque le moteur est en marche.

## 4.3 PRÉPARATION D'UN NOUVEAU VAPORISATEUR



S'il s'agit d'un nouvel appareil, il est livré avec du liquide de test dans la section des liquides pour éviter la corrosion durant le transport et le stockage. Ce fluide doit être soigneusement vidangé du circuit à l'aide d'essences minérales avant de commencer à vaporiser.



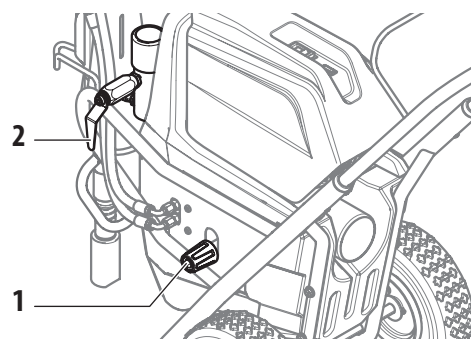
Attention

Verrouillez toujours la gâchette sur le pistolet vaporisateur pendant la préparation du circuit. Consultez les consignes du verrou de détente du mode d'emploi du pistolet de pulvérisation.

1. Placez le tuyau du siphon dans un conteneur d'essences minérales.



2. Placez le tuyau de décharge dans un conteneur de déchets en métal.
3. Réglez la pression au minimum en tournant au maximum le bouton de réglage de pression (fig. 10, pos. 1) dans le sens inverse des aiguilles d'une montre.
4. Ouvrez la soupape de décharge (2) en la tournant complètement dans le sens inverse des aiguilles d'une montre.

⑩

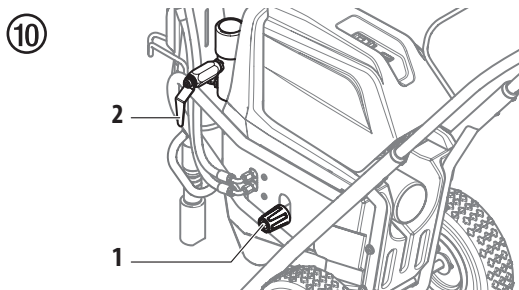


5. Démarrer le moteur à essence ou moteur électrique.
  - a. Pour démarrer le moteur à essence, suivez les étapes à la section 4.2.
  - b. Pour démarrer le moteur électrique, poussez et maintenez l'interrupteur à la position ON (en marche) jusqu'à ce que le moteur électrique fonctionne à pleine vitesse, ensuite relâchez l'interrupteur.
6. Tournez le bouton de réglage de pression dans le sens des aiguilles d'une montre et vers le bas d'1/3 environ pour accroître la pression jusqu'à ce que les cycles de vaporisation soient réguliers et que le solvant s'écoule sans problème du tuyau de décharge.
7. Laissez le vaporisateur tourner pendant 15 à 30 secondes pour vidanger le liquide de test du tuyau de vidange vers le conteneur de déchets.
8. Éteignez l'appareil.
  - a. Pour éteindre le moteur à essence :
    - réglez la pression au minimum en tournant au maximum le bouton de réglage de pression dans le sens inverse des aiguilles d'une montre,
    - placez le levier de papillon d'accélération en position lente, et
    - tournez l'interrupteur du moteur sur OFF.
  - b. Afin d'éteindre le moteur électrique,
    - réglez la pression au minimum en tournant au maximum le bouton de réglage de pression dans le sens inverse des aiguilles d'une montre,
    - déplacez l'interrupteur pour qu'il soit en position ARRÊT.

#### 4.4 PRÉPARATION AVANT DE PEINDRE


	<p>Avant de peindre, il est important de s'assurer que le liquide du circuit est compatible avec la peinture qui va être utilisée.</p> <p>Les liquides et peintures incompatibles peuvent boucher les soupapes et obliger l'utilisateur à démonter et nettoyer la section des liquides du vaporisateur.</p>
 <b>Attention</b>	<p>Verrouillez toujours la gâchette sur le pistolet vaporisateur pendant la préparation du circuit. Consultez les consignes du verrou de détente du mode d'emploi du pistolet de pulvérisation.</p>

1. Placez le tuyau du siphon dans un conteneur du solvant approprié.
2. Placez le tuyau de décharge dans un conteneur de déchets en métal.
3. Réglez la pression au minimum en tournant au maximum le bouton de réglage de pression (fig. 10, pos. 1) dans le sens inverse des aiguilles d'une montre.
4. Ouvrez la soupape de décharge (2) en la tournant complètement dans le sens inverse des aiguilles d'une montre.




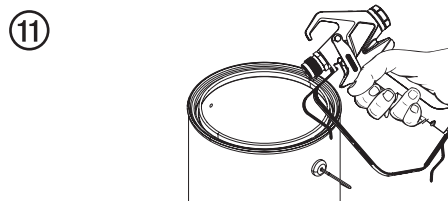
5. Démarrer le moteur à essence ou moteur électrique.
  - a. Pour démarrer le moteur à essence, suivez les étapes à la section 4.2.
  - b. Pour démarrer le moteur électrique, poussez et maintenez l'interrupteur à la position ON (en marche) jusqu'à ce que le moteur électrique fonctionne à pleine vitesse, ensuite relâchez l'interrupteur.
6. Tournez le bouton de réglage de pression dans le sens des aiguilles d'une montre et vers le bas d'1/3 environ pour accroître la pression jusqu'à ce que les cycles de vaporisation soient réguliers et que le solvant s'écoule sans problème du tuyau de décharge.
7. Laissez le vaporisateur tourner pendant 15 à 30 secondes pour vidanger le liquide de test du tuyau de vidange vers le conteneur de déchets.
8. Éteignez l'appareil.
  - a. Pour éteindre le moteur à essence :
    - réglez la pression au minimum en tournant au maximum le bouton de réglage de pression dans le sens inverse des aiguilles d'une montre,
    - placez le levier de papillon d'accélération en position lente, et

- tournez l'interrupteur du moteur sur OFF.
- b. Afin d'éteindre le moteur électrique,
- réglez la pression au minimum en tournant au maximum le bouton de réglage de pression dans le sens inverse des aiguilles d'une montre,
- déplacez l'interrupteur pour qu'il soit en position ARRÊT.


	<p>Assurez-vous qu'aucun embout ou protecteur d'embout n'est installé sur le pistolet vaporisateur.</p>
---	---

9. Fermez la soupape de décharge en la tournant complètement dans le sens des aiguilles d'une montre.
10. Démarrer le moteur à essence ou moteur électrique.
11. Tournez le bouton de réglage de pression dans le sens des aiguilles d'une montre et vers le bas d'1/3 environ pour accroître la pression.
12. Débloquez le pistolet en faisant passer la gâchette du pistolet vers la position de déblocage.

	<p>Reliez le pistolet à la terre en le maintenant contre le bord du conteneur en métal lors du rinçage. Si cette précaution n'est pas respectée, il peut se former une décharge électrique statique pouvant à son tour provoquer un incendie.</p>
---	---



13. Déclenchez le pistolet dans le conteneur de déchets en métal jusqu'à ce que le solvant usagé soit vidangé et que du solvant frais sorte du pistolet.
14. Verrouillez le pistolet en tournant le verrou de la détente à la position verrouillée (consultez le manuel du pistolet de pulvérisation).
15. Augmentez la pression en tournant lentement et au maximum le bouton de réglage de pression dans le sens des aiguilles d'une montre.
16. Vérifiez si le système ne présente pas de fuite. En cas de fuite, suivez la « Procédure de décharge de pression » décrite dans ce manuel avant de serrer les raccords ou les tuyaux.
17. Suivez la « Procédure de décharge de pression » (section 4.6) décrite dans ce manuel avant de passer du solvant à la peinture.

	<p>Assurez-vous de bien suivre la Procédure de décharge de pression lorsque vous arrêtez l'appareil pour une raison quelconque, y compris lors de l'entretien ou du réglage d'une pièce du circuit de vaporisation, du remplacement ou du nettoyage des embouts de vaporisation, ou lors de la préparation au nettoyage.</p>
---	--



## 4.5 PEINTURE

1. Placez le tuyau de siphon dans un conteneur de peinture.
2. Placez le tuyau de décharge dans un conteneur de déchets en métal.
3. Réglez la pression au minimum en tournant au maximum le bouton de réglage de pression (fig. 10, pos. 1) dans le sens inverse des aiguilles d'une montre.
4. Ouvrez la soupape de décharge (2) en la tournant complètement dans le sens inverse des aiguilles d'une montre.
5. Démarrer le moteur à essence ou moteur électrique.
  - a. Pour démarrer le moteur à essence, suivez les étapes à la section 4.2.
  - b. Pour démarrer le moteur électrique, poussez et maintenez l'interrupteur à la position ON (en marche) jusqu'à ce que le moteur électrique fonctionne à pleine vitesse, ensuite relâchez l'interrupteur.
6. Tournez le bouton de réglage de pression dans le sens des aiguilles d'une montre et vers le bas d'1/3 environ pour accroître la pression jusqu'à ce que les cycles de vaporisation soient réguliers et que la peinture s'écoule sans problème du tuyau de décharge.
7. Éteignez l'appareil.
  - a. Pour éteindre le moteur à essence :
    - réglez la pression au minimum en tournant au maximum le bouton de réglage de pression dans le sens inverse des aiguilles d'une montre,
    - placez le levier de papillon d'accélération en position lente, et
    - tournez l'interrupteur du moteur sur OFF.
  - b. Afin d'éteindre le moteur électrique,
    - réglez la pression au minimum en tournant au maximum le bouton de réglage de pression dans le sens inverse des aiguilles d'une montre,
    - déplacez l'interrupteur pour qu'il soit en position ARRÊT.
8. Démontez le tuyau de purge du conteneur de déchets et placez-le dans le conteneur de peinture.
9. Fermez la vanne de purge en la tournant au maximum, dans le sens des aiguilles d'une montre.
10. Démarrer le moteur à essence ou moteur électrique.
11. Tournez le bouton de réglage de pression dans le sens des aiguilles d'une montre et vers le bas d'1/3 environ pour accroître la pression.
12. Débloquez le pistolet en faisant passer la gâchette du pistolet vers la position de déblocage.



Reliez le pistolet à la terre en le maintenant contre le bord du conteneur en métal lors du rinçage. Si cette précaution n'est pas respectée, il peut se former une décharge électrique statique pouvant à son tour provoquer un incendie.

13. Déclenchez le pistolet dans le conteneur de déchets en métal jusqu'à ce que le solvant et l'air soient vidangés et que de la peinture sorte du pistolet.
14. Bloquez le pistolet en faisant passer la gâchette du pistolet vers la position de blocage (fig. 10).
15. Éteignez l'appareil.
16. Fixez la protection d'embout au pistolet comme indiqué sur la protection d'embout ou sur les manuels d'embouts.



**RISQUE ÉVENTUEL D'INJECTION.** Ne vaporisez pas si la protection d'embout n'est pas montée. Ne déclenchez jamais le pistolet si l'embout n'est pas en position de vaporisation ou débouché. Engagez toujours le verrouillage de la gâchette du pistolet avant de démonter, de remplacer ou de nettoyer l'embout.

17. Démarrer le moteur à essence ou moteur électrique.
18. Augmentez la pression en tournant lentement le bouton de réglage de la pression dans le sens des aiguilles d'une montre et testez la forme de vaporisation sur un bout de carton. Ajustez le bouton de réglage de pression jusqu'à ce que le pistolet soit complètement atomisé.



Si vous augmentez la pression au-delà de la pression nécessaire pour atomiser la peinture, vous pouvez provoquer une usure prématurée des embouts et une vaporisation excessive.

## 4.6 PROCÉDURE DE DÉCHARGE DE PRESSION



Assurez-vous de bien suivre la procédure de décharge de pression lorsque vous arrêtez l'appareil pour une raison quelconque, y compris lors de l'entretien ou du réglage d'une pièce du circuit de vaporisation, du remplacement ou du nettoyage des embouts de vaporisation ou lors de la préparation au nettoyage.

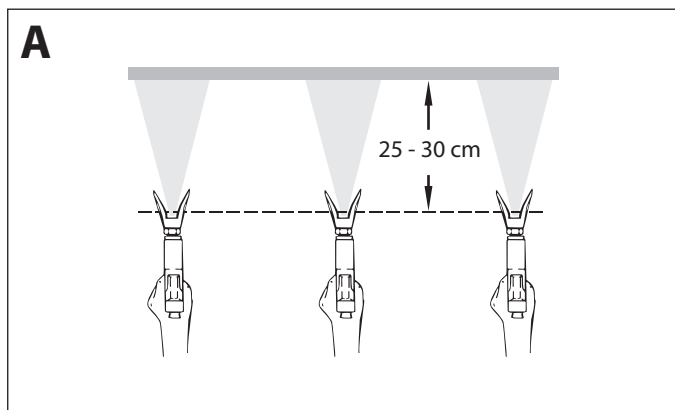
1. Bloquez le pistolet en faisant passer la gâchette du pistolet vers la position de blocage.
2. Éteignez l'appareil.
  - a. Pour éteindre le moteur à essence :
    - réglez la pression au minimum en tournant au maximum le bouton de réglage de pression dans le sens inverse des aiguilles d'une montre,
    - placez le levier de papillon d'accélération en position lente,
    - tournez l'interrupteur du moteur sur OFF.
  - b. Afin d'éteindre le moteur électrique,
    - réglez la pression au minimum en tournant au maximum le bouton de réglage de pression dans le sens inverse des aiguilles d'une montre,
    - déplacez l'interrupteur pour qu'il soit en position ARRÊT.
3. Débloquez le pistolet en faisant passer la gâchette du pistolet vers la position de déblocage (consultez le manuel du pistolet de pulvérisation).
4. Maintenez fermement la partie métallique du pistolet contre un conteneur de déchets en métal pour décharger l'électricité statique du pistolet.
5. Enclenchez le pistolet pour éliminer toute pression résiduelle dans le tuyau.
6. Bloquez le pistolet en faisant passer la gâchette du pistolet vers la position de blocage.
7. Placez le tuyau de décharge dans un conteneur de déchets en métal.
8. Ouvrez la vanne de purge en la tournant au maximum dans le sens contraire des aiguilles d'une montre.

## 5 PULVÉRISATION

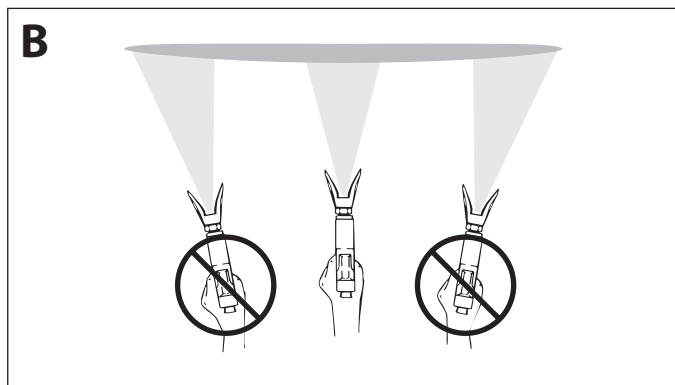


Risque d'injection. Ne pulvérisez pas sans avoir installé au préalable le protège-embout. N'appuyez JAMAIS sur la gâchette du pistolet si l'embout n'est pas sur la position de pulvérisation ou de débouchage. Bloquez toujours la gâchette du pistolet avant d'enlever, de remplacer ou de nettoyer l'embout.

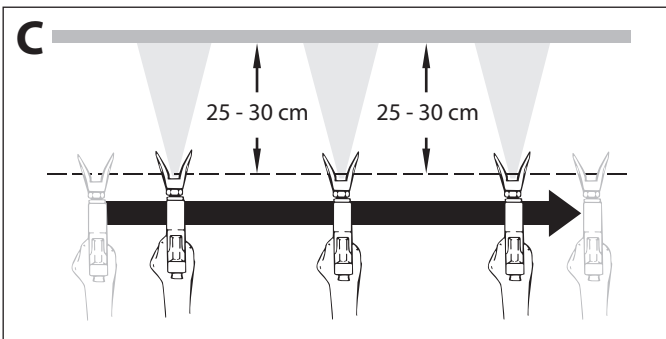
- A)** Le secret pour réaliser un bon travail de peinture est d'appliquer une couche homogène sur toute la surface. Déplacez votre bras à une vitesse constante et maintenez le pistolet de pulvérisation à une distance régulière de la surface. La meilleure distance de pulvérisation entre l'embout et la surface est de 25-30 cm.



- B)** Maintenez le pistolet de pulvérisation à angle droit par rapport à la surface. Pour ce faire, vous devez faire des allers-retours avec tout le bras au lieu de simplement plier le poignet. Maintenez le pistolet de pulvérisation perpendiculaire à la surface pour que la couche ne soit pas plus épaisse d'un côté que de l'autre.



- C)** Actionnez le pistolet après avoir commencé le passage. Relâchez la gâchette avant la fin du passage. Le pistolet pulvérisateur doit être en mouvement au moment d'appuyer sur la gâchette ou de la relâcher. Faites chevaucher les passages sur environ 30 %, pour garantir une couche uniforme.



Si les bords de projection sont trop nets ou s'il y a des bandes dans le jet, il faut soit augmenter la pression de projection soit diluer davantage le produit.

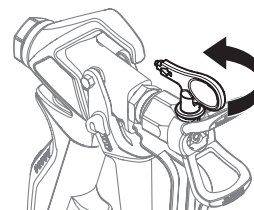
### 5.1 NETTOYAGE D'UNE BUSE OBSTRUÉE



Si la répartition de la pulvérisation devient déformée ou s'arrête complètement en appuyant sur la détente, suivre les étapes ci-dessous.

- Ouvrir la vanne de décharge à la position PRIME (↻ circulation).
- Si la buse est obstruée, faites tourner la poignée de la buse à 180° jusqu'à ce que la flèche figurant sur la poignée indique l'opposé de la direction de pulvérisation et que la poignée s'enclenche en position inversée (fig. 12).
- Fermer la vanne de décharge, position SPRAY (↖ projection).

11





- Appuyez une fois sur la détente du pistolet pour que la pression débouche la buse. N'appuyez JAMAIS deux fois de suite sur la détente lorsque la buse est dans la position inversée. Cette procédure peut être répétée jusqu'à ce que la buse ne soit plus obstruée.





Le flux sortant de la buse de pulvérisation est à très forte pression. Tout contact avec une quelconque partie du corps peut s'avérer dangereux. Ne mettez pas de doigt sur l'embout du pistolet. Ne visez personne avec le pistolet. N'utilisez jamais le pistolet pulvérisateur sans disposer du protège-embout approprié.



## 5.2 INTERRUPTIONS DE TRAVAIL

	<p>Suivez ces étapes si vous arrêtez de pulvériser pendant jusqu'à 20 heures. Suivez ces étapes seulement si vous avez utilisé des produits à pulvériser au latex ou à l'eau.</p>
	<p>Si vous remplacez tout simplement le récipient de produit, tournez le bouton de commande de pression complètement dans le sens contraire des aiguilles d'une montre au minimum avant de changer le récipient de produit.</p> <p>Tournez le bouton de commande de pression dans le sens des aiguilles d'une montre à la position précédente lorsque vous êtes prêt à recommencer la pulvérisation.</p>

1. Suivez la « Procédure de décharge de pression » décrite au paragraphe Fonctionnement de ce manuel (section 4.6).
2. Placez le pistolet de pulvérisation dans un sac en plastique, ou déposez-le dans un seau d'eau.
3. Laissez le tube d'aspiration et le tuyau de retour immergés dans le matériau de revêtement ou immergez-les dans un agent de nettoyage correspondant.
4. Recouvrez le matériau de revêtement de plastique et placez l'appareil dans un endroit frais et ombragé pour empêcher le matériau de s'assécher.

 Attention	<p>Lors de la mise en œuvre de peintures à séchage rapide ou d'un produit à deux composants, rincer sans faute le groupe à l'intérieur du temps d'utilisation avec le produit de nettoyage adéquat.</p>
	<p>Lorsque vous êtes à nouveau prêt à pulvériser, enlevez le plastique du récipient de matériau et redémarrez le pulvérisateur en suivant les étapes décrites à la section 4.5.</p>

## 5.3 MANIPULATION DU FLEXIBLE À HAUTE PRESSION




	<p>L'appareil est muni d'un tuyau à haute pression conçu spécialement pour les pompes sans air.</p>
	<p>Ne jamais utiliser un flexible défectueux. Danger de blessure!</p> <p>Ne jamais essayer de réparer un flexible endommagé!</p>

Le tuyau flexible haute pression doit être traité avec soin. Il faut éviter de trop plier le flexible; le plus petit rayon ne doit pas être inférieur à 20 cm.



Protéger le flexible contre le passage de véhicules et éviter le frottement sur des arêtes vives.

Ne jamais tirer sur le flexible à haute pression pour déplacer l'appareil.

Faire attention à ne pas tordre le flexible à haute pression. Cela peut être évité en utilisant un pistolet pulvérisateur de Titan avec une articulation pivotante et un dévidoir de tuyau.

	<p>Pour la manipulation du tuyau flexible haute pression lors de travaux sur un échafaudage, il s'est avéré comme le plus avantageux de toujours laisser le tuyau flexible du côté extérieur de l'échafaudage.</p>
	<p>Le risque d'endommagements s'accroît dans le cas des vieux flexibles à haute pression. Titan recommande de remplacer le flexible à haute pression au bout de 6 ans.</p>
	<p>Pour des raisons de fonctionnement, de sécurité et de durée de vie, utiliser exclusivement des tuyaux flexibles à haute pression d'origine de Titan.</p>

## 6 NETTOYAGE


 <p><b>Attention</b></p>	<p>Le pulvérisateur, le tuyau et le pistolet doivent être soigneusement nettoyés tous les jours après utilisation. Le non-respect de ces consignes peut mener à une agglutination du matériau et donc considérablement endommager la performance de l'appareil.</p>
	<p>Lorsque vous utilisez des essences minérales ou tout autre solvant pour nettoyer le vaporisateur, le tuyau ou le pistolet, vaporisez toujours à la pression minimale avec l'embout du pistolet démonté. L'accumulation d'électricité statique peut entraîner un incendie ou une explosion en présence de vapeurs inflammables.</p>

### 6.1 CONSIGNES SPÉCIALES DE NETTOYAGE LORS DE L'UTILISATION AVEC DES SOLVANTS INFLAMMABLES

- Rincez toujours le pistolet pulvérisateur de préférence à l'extérieur et au moins à une longueur de tuyau de la pompe de pulvérisation.
- Si vous recueillez les solvants vidangés dans un conteneur en métal d'un gallon (environ 3,780 litres), placez celui-ci dans un conteneur vide de 5 gallons (environ 19 litres), puis vidangez les solvants.
- La zone doit être totalement débarrassée de vapeurs inflammables.
- Respectez toutes les consignes de nettoyage.

### 6.2 NETTOYAGE DU PULVÉRISATEUR


1. Suivez la « Procédure de décharge de pression » décrite au paragraphe Fonctionnement de ce manuel (section 4.6).
2. Démontez l'embout du pistolet et la protection d'embout puis procédez au nettoyage en utilisant une brosse et un solvant approprié.
3. Placez le tuyau du siphon dans un conteneur du solvant approprié.

 <p><b>Attention</b></p>	<p>Utilisez des solvants compatibles lors du nettoyage de peintures laquées, de laques, de peinture à base de brai et d'époxy. Vérifiez auprès du fabricant du liquide le solvant recommandé pour ce liquide.</p>
---	---

4. Placez le tuyau de décharge dans un conteneur de déchets en métal.
5. Réglez la pression au minimum en tournant au maximum le bouton de réglage de pression dans le sens inverse des aiguilles d'une montre.
6. Ouvrez la vanne de purge (3) en la tournant au maximum, dans le sens contraire des aiguilles d'une montre.
7. Démarrer le moteur à essence ou moteur électrique.
8. Laissez le solvant circuler dans l'appareil et vidangez la peinture par le tuyau de purge dans le conteneur de déchets en métal.
9. Arrêter le matériel OFF (ARRET).


10. Fermez la vanne de purge en la tournant au maximum, dans le sens des aiguilles d'une montre.

11. Démarrer le moteur à essence ou moteur électrique.

	<p>Reliez le pistolet à la terre en le maintenant contre le bord du conteneur en métal lors du rinçage. Si cette précaution n'est pas respectée, il peut se former une décharge électrique statique pouvant à son tour provoquer un incendie.</p>
---	---


12. Déclenchez le pistolet dans le conteneur de déchets en métal jusqu'à ce que la peinture soit vidangée et que du solvant sorte du pistolet.

13. Continuez à déclencher le pistolet dans le conteneur de déchets en métal jusqu'à ce que le solvant sortant du pistolet soit propre.



	<p>Pour le stockage à long terme par temps froid ou lorsqu'il s'agit d'exposition à des températures de congélation, pomper des essences minérales dans tout le système.</p> <p>Pour un stockage à court terme lorsqu'il n'y a pas d'exposition à des températures de congélation lors de l'utilisation de peinture au latex, pomper de l'eau mélangée avec Titan Liquid Shield dans tout le système (voir la section Accessoires de ce manuel pour le numéro de pièce et l'étiquette du produit pour les instructions de dilution).</p>
---	--

14. Suivez la « Procédure de décharge de pression » décrite au paragraphe Fonctionnement de ce manuel.

15. Conservez l'outil dans un endroit sec et propre.

 <p><b>Attention</b></p>	<p>Ne stockez pas l'appareil sous pression.</p>
---	---

### 6.3 NETTOYAGE EXTÉRIEUR DU GROUPE

	<p>Modèles électriques - Assurez-vous que le cordon d'alimentation est débranché pour éviter un choc électrique.</p>
 <p><b>Attention</b></p>	<p>Danger de court-circuit par la pénétration d'eau! Ne jamais utiliser un jet ou de la vapeur sous pression pour le nettoyage. Ne pas placer le flexible à haute pression dans du solvant. Essuyer l'extérieur uniquement avec un chiffon imprégné.</p>

Nettoyer l'extérieur du groupe à l'aide d'un chiffon imbibé du produit de nettoyage adéquat.

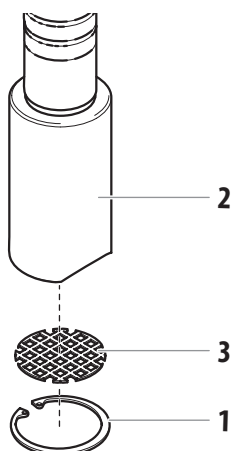
## 6.4 NETTOYAGE DE LA CRÉPINE

<b>i</b>	Des filtres propres assurent toujours un débit maximum, une pression de projection constante ainsi qu'un fonctionnement correct du matériel.
----------	--

### SYSTÈME D'ASPIRATION SUBMERSIBLE

1. La crépine s'obstrue et doit être nettoyée au moins une fois par jour.
2. Retirer l'anneau de retenue (fig. 13, article 1) du logement de clapet de pied (2).
3. Retirer la crépine d'aspiration (3) du logement de clapet de pied (2).
4. Nettoyez-le soigneusement avec le solvant adéquat.

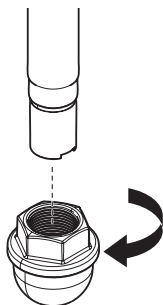
13



### SYSTÈME D'ASPIRATION STANDARD

1. Dévisser la crépine (fig. 14) du tube d'aspiration.
  2. Nettoyer ou remplacer la crépine.
- Effectuer le nettoyage à l'aide d'un pinceau dur et d'un produit de nettoyage correspondant.

14



## 6.5 NETTOYAGE DU PISTOLET AIRLESS

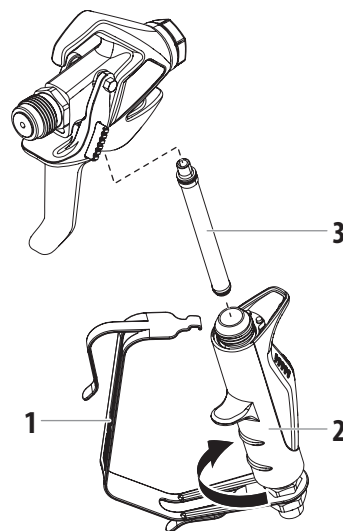
1. Rincer le pistolet Airless à faible pression de service avec le produit de nettoyage adéquat.
2. Nettoyer soigneusement la buse avec le produit adéquat de manière à éliminer les restes de produit.
3. Nettoyer soigneusement l'extérieur du pistolet.

<b>i</b>	Nettoyez le pistolet de pulvérisation après chaque utilisation.
----------	---

### TAMIS DE CROSSE DANS LE PISTOLET AIRLESS (FIG. 15)

1. Détachez le dessus du pontet (1) de la tête du pistolet.
2. En se servant de la partie inférieure du pontet comme clé, desserrez et enlevez l'ensemble de la poignée (2) de la tête du pistolet.
3. Extrayez le filtre (3) usagé de la tête du pistolet. Nettoyez ou remplacez.
4. Faites glisser le nouveau filtre, la partie filetée en premier, dans la tête du pistolet.
5. Placez le joint de la poignée dans la tête du pistolet avec la partie plate du joint vers la tête du pistolet. Serrez à l'aide de la clé de la détente.
6. Enclenchez à nouveau le pontet sur la tête du pistolet.

15



## 7 ENTRETIEN



Avant de continuer, suivez la procédure de réduction de pression précédemment exposée dans ce manuel. Respectez également tous les autres avertissements afin de minimiser les risques de blessures dus à des projections ou à des pièces mobiles ou les risques de décharge électrique. Débranchez toujours le pulvérisateur avant de procéder à son entretien !

### 7.1 ENTRETIEN QUOTIDIEN

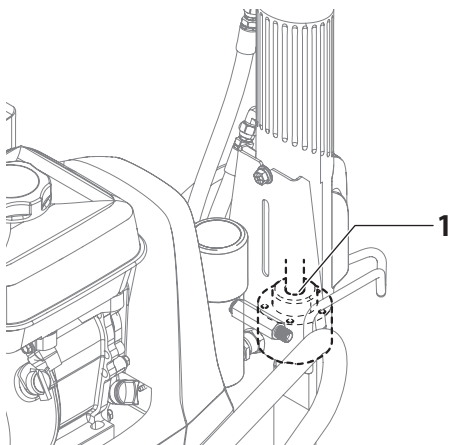
Deux procédures quotidiennes sont requises afin de procéder à l'entretien régulier de ce pulvérisateur.

- A. Lubrification des garnitures supérieures (section 7.2).
- B. Nettoyage de la crépine (section 6.4).

### 7.2 LUBRIFICATION DES GARNITURES SUPÉRIEURES

1. Ôtez la peinture qui a coulé derrière les garnitures supérieures dans le collecteur d'huile (fig. 16, pos. 1) situé au-dessus de la section des liquides.
2. Remplissez le collecteur d'huile à moitié avec de l'huile Piston Lube (n° de pièce 314-480) fournie par le fabricant. Cela permet d'accroître la durée de vie de l'équipement.

16



Ne remplissez pas trop le collecteur d'huile de façon à éviter que l'huile ne déborde et ne se déverse dans la peinture.

### 7.3 ENTRETIEN DU FILTRE



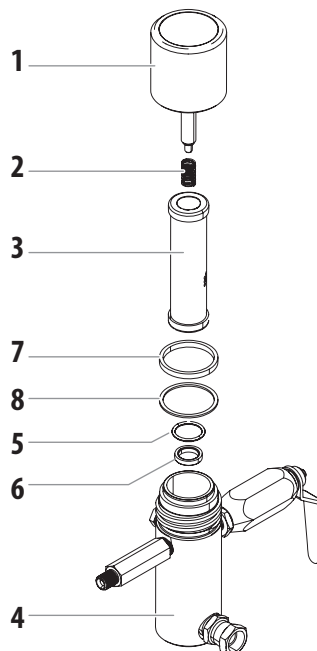
Nettoyez régulièrement le filtre. Les filtres sales ou obstrués peuvent réduire de manière considérable la capacité filtrante de l'appareil et occasionner un certain nombre de problèmes dans le système (faible pulvérisation, buses obstruées, etc).

#### NETTOYAGE (FIG. 17)

Pour nettoyer le filtre, veuillez suivre la procédure qui suit :

1. Suivez la « Procédure de décharge de pression » décrite au paragraphe Fonctionnement du présent manuel.
2. Ôte le bouchon (1) et le ressort (2) du filtre.
3. Ôtez l'élément à bille (3) du filtre par le haut du corps du filtre (4).
4. Nettoyez à l'intérieur du corps du filtre, l'élément à bille et le bouchon au moyen d'un solvant approprié.

17



Manipulez les pièces avec soin car toute impureté, saleté, rayure ou encoche peut empêcher les joints toriques ou les joints d'adhérer.

Cet élément filtre depuis l'intérieur vers l'extérieur. Veillez à nettoyer soigneusement l'intérieur de l'élément du filtre. Trempez-le dans le solvant de manière à ramollir la peinture sèche ou remplacez-le.

**INSPECTION (FIG. 17)**

Inspectez toutes les pièces du filtre avant de le remonter.

1. Inspectez la bille à l'intérieur de l'élément du filtre. Si la bille présente des coupures ou des rayures liées à la pression, remplacez l'élément du filtre.
  - a. Si la bille est coupée, retirez le joint torique en PTFE (5) à l'aide d'un extracteur de joint torique et retirez le siège en carbure (6).
  - b. Vérifiez que le siège ne comporte ni encoches ni rainures. Si le siège est endommagé, remplacez-le.

<b>i</b>	Si vous le retirez, le joint torique en PTFE sera endommagé et devra être remplacé.
----------	---

2. Retirez le ressort (2) de son guide situé dans le bouchon du filtre.
  - a. Mesurez la longueur du ressort non comprimé. S'il mesure moins de 1,9 cm (3/4") d'une extrémité à l'autre, remplacez-le.
  - b. Poussez le ressort dans son guide afin qu'il s'enclenche à sa place.
3. Inspectez les deux joints en PTFE (7,8) et le joint torique en PTFE (5) afin de détecter toute éventuelle déformation, encoche ou coupure. Le cas échéant, remplacez-les.

<b>i</b>	Les joints en PTFE, le joint torique en PTFE et le ressort sont inclus dans le Kit de maintenance du filtre n° de pièce 930-050.
----------	--

**REMONTAGE (FIG. 17)**

Après avoir nettoyé et inspecté toutes les pièces, rassemblez le filtre.

1. Placez le siège en carbure (6) dans le corps du filtre (4). Assurez-vous que le côté biseauté du siège est dirigé vers le haut.
2. Placez le joint torique en PTFE (5) dans la rainure du diamètre extérieur du siège en carbure (6).
3. Placez l'élément à bille (3) dans le corps du filtre (4).

<b>i</b>	Le haut et le bas de l'élément à bille sont identiques.
----------	---

4. Si ce n'est déjà fait, poussez le ressort (2) dans son guide situé dans le bouchon du filtre (1) jusqu'à ce qu'il s'enclenche à sa place.
5. Placez le joint en PTFE (8) fin sur le pas en haut du corps du filtre (4).
6. Placez le joint en PTFE (7) épais sur le joint fin (8).
7. Serrez le bouchon du filtre (1) au corps du filtre (4).

**7.4 ENTRETIEN DU SYSTÈME HYDRAULIQUE**



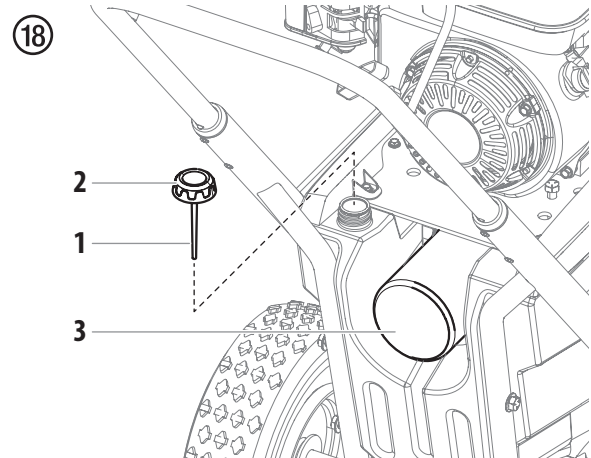
Attention

Dans le système hydraulique, vous devez impérativement employer un liquide hydraulique approuvé par Titan (Titan Coolflo, n° de pièce 430-361). N'utilisez aucun autre fluide hydraulique. L'emploi de tout autre fluide hydraulique risque de gravement endommager le système hydraulique et annulera la garantie.

1. Vérifiez le liquide fluide hydraulique tous les jours. Le niveau de fluide hydraulique devrait toucher le bas de la jauge (1). Si le bout est sec, ajoutez du fluide hydraulique Coolflo™ de Titan (no de pièce 430-361) uniquement. N'ajoutez ni ne changez le fluide hydraulique si vous n'êtes pas dans un lieu propre dénué de poussière. La pollution du fluide hydraulique diminue la durée de vie de la pompe hydraulique et annule la garantie.



Assurez-vous de placer l'appareil sur une surface plate au moment de vérifier le niveau de fluide hydraulique.



## CHANGEMENT DU FLUIDE HYDRAULIQUE



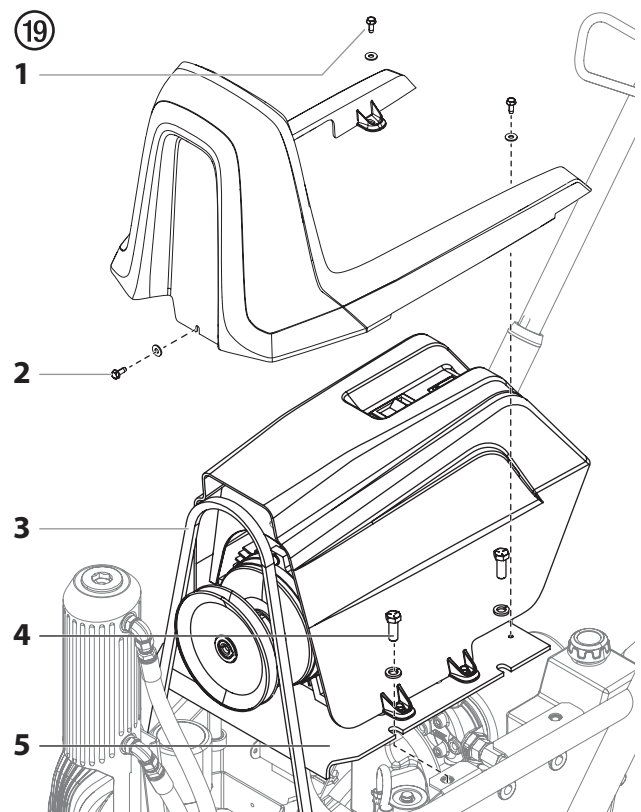
Changez le fluide hydraulique tous les douze mois. Afin de bien changer le fluide, l'ensemble du moteur doit être enlevé. Suivez les étapes qui suivent :

1. Placez un petit contenant (assez grand pour contenir 5,91 litres) directement sous le bouchon de vidange du réservoir de fluide hydraulique.
2. À l'aide d'une clé, enlevez le bouchon de vidange du réservoir de fluide hydraulique. Laissez le fluide hydraulique se vider du réservoir. Remplacez le bouchon de vidange.
3. Retirez les deux vis (fig. 19, article 1) et les rondelles situées à l'arrière du flasque avant. Desserrez la vis et la rondelle (2) située à l'avant du flasque. Retirez le flasque avant.
4. La courroie du moteur (3) sera maintenant exposée. Enlevez la courroie du moteur de la poulie du haut.
5. Desserrez et retirez les quatre boulons et rondelles (4) de la plaque de moteur qui fixent l'ensemble du moteur au charriot.
6. Levez soigneusement la plaque de moteur (sur laquelle est encore fixé le moteur) d'environ 5,08 à 7,62 cm et glissez-le à la gauche (en regardant vers l'arrière de l'appareil) afin d'exposer le bouchon de mise à l'air libre (NPT de 0,64 cm) sur le dessus du réservoir de fluide hydraulique. Appuyez la plaque de moteur sur le charriot pour la prochaine étape.
7. Dévissez le bouchon de mise à l'air libre du réservoir de fluide hydraulique.
8. Remplissez le réservoir de fluide hydraulique d'huile hydraulique neuve jusqu'à ce que l'huile touche atteigne 0,3 cm de la jauge d'huile.
9. Mettez du ruban de PTFE sur le bouchon de vidange NPT de 0,64 cm et réinstallez-le sur le réservoir de fluide hydraulique.
10. Glissez la plaque de moteur en place, en faisant attention de ne pas pincer ou accrocher le fil PCB. Fixez-la en place à l'aide des quatre boulons. Serrez les boulons à un couple de 28,25 Nm.
11. Remplacez le flasque inférieur et le flasque avant.
12. Faites marcher le pulvérisateur à une pression suffisante pour faire fonctionner la section des liquides. Faites tourner le pulvérisateur à basse pression pendant 5 minutes. Cela permet d'évacuer l'air du système. Vérifiez le niveau du fluide au terme de cette procédure. Ne remplissez pas trop le réservoir.



Lorsque vous remplacez le filtre hydraulique (Fig. 18, pos. 3) au cours du changement de fluide, il peut s'avérer utile d'ajouter jusqu'à un litre supplémentaire de fluide hydraulique.

13. Le système hydraulique est doté d'un filtre hydraulique (Fig. 18, pos. 3) externe remplaçable. Changez le filtre tous les douze mois.
14. L'entretien de la pompe hydraulique ne doit pas s'effectuer sur place. Si l'entretien de la pompe hydraulique est nécessaire, la pompe doit être retournée à un centre de services Titan autorisé.



## 7.5 ENTRETIEN DE LA SECTION DES FLUIDES



Si le pulvérisateur doit ne pas être utilisé pendant une longue période, il est conseillé, suite au nettoyage, d'introduire un mélange de kérosène et huile faisant office de conservateur. Les garnitures tendent à sécher lorsqu'elles ne sont pas utilisées. Cela s'applique notamment à l'ensemble des garnitures supérieures pour lesquelles il est recommandé de recourir à Piston Lube (n° de pièce 314-480) pour une utilisation normale.



Si le pulvérisateur n'a pas été utilisé pendant une longue période, il peut s'avérer utile d'amorcer la pompe avec un solvant. Il est extrêmement important que les filets du raccord du tuyau d'aspiration soient correctement fixés. Toute fuite d'air pourrait occasionner un fonctionnement irrégulier du pulvérisateur et pourrait endommager le système. Les courses ascendantes et descendantes doivent être approximativement similaires en terme de temps (l'une ne doit pas être plus rapide que l'autre). Une course ascendante ou descendante trop rapide pourrait indiquer la présence d'air dans le système ou un mauvais fonctionnement de la soupape ou des sièges (reportez-vous à la section consacrée au dépannage).

### 7.6 TUYAU FLEXIBLE HAUTE PRESSION

Contrôler visuellement le tuyau flexible haute pression pour entailles ou bosses éventuellement présentes, en particulier à la transition dans le raccord. Les écrous-raccords doivent pouvoir tourner librement. Une conductibilité inférieure à 1 mégohm doit être présente sur toute la longueur.


 <b>Attention</b>	Faire effectuer tous les contrôles électriques par le service après-vente de Titan.
	Le risque d'endommagements s'accroît dans le cas des vieux flexibles à haute pression. Titan recommande de remplacer le flexible à haute pression au bout de 6 ans.

### 7.7 ENTRETIEN DE BASE DU MOTEUR (MOTEUR À ESSENCE)

- Pour obtenir des informations détaillées sur l'entretien du moteur ou des spécifications techniques, reportez-vous au deuxième manuel du moteur à essence.
- Tout entretien du moteur doit être réalisé par un revendeur agréé par le fabricant du moteur.
- Utilisez une huile pour moteur de qualité premium. Il est conseillé d'utiliser la 10W30 pour une utilisation générale quelque soit la température. D'autres viscosités peuvent être requises sous d'autres climats.
- Utilisez uniquement une bougie d'allumage (NGK) BR-6HS. Ecartez les électrodes de 0,028 à 0,031 pouces (de 0,7 à 0,8 mm). Utilisez toujours une clé à bougie.

### TOUS LES JOURS

1. Vérifiez le niveau d'huile du moteur et remplissez le réservoir si besoin est.
2. Vérifiez le niveau d'essence du moteur et remplissez le réservoir si besoin est.

	Suivez toujours la procédure de ravitaillement précédemment exposée dans ce manuel.
---	---

### LES 20 PREMIÈRES HEURES

- Changez l'huile du moteur.

### TOUTES LES 100 HEURES

- Changez l'huile du moteur.
- Nettoyez le collecteur de dépôt.
- Nettoyez et re-réglez la bougie d'allumage.
- Nettoyez le pare-étincelles.



### TOUTES LES SEMAINES

- Retirez le couvercle du filtre à air et nettoyez l'élément. Dans les environnements très poussiéreux, vérifiez le filtre quotidiennement. Remplacez l'élément le cas échéant. Les pièces de rechange peuvent être achetées auprès de votre revendeur local du fabricant de moteur.

### FONCTIONNEMENT ET ENTRETIEN DU MOTEUR

- Nettoyez les filtres à air et à huile du moteur à essence toutes les 25 heures ou une fois par semaine. Ne laissez pas la peinture ou les saletés s'accumuler sur la grille d'entrée d'air du volant du moteur à essence. Nettoyez-la régulièrement. La durée de vie et l'efficacité du moteur à essence dépend de son bon entretien. Changez l'huile du moteur toutes les 100 heures. Tout manquement à ces consignes peut occasionner une surchauffe du moteur. Consultez le manuel d'entretien qui vous est fourni par le fabricant du moteur.
- Pour économiser de l'essence et accroître la durée de vie et l'efficacité du pulvérisateur, faites fonctionner le moteur à essence au régime moteur le plus bas lui permettant de tourner sans forcer et de fournir la quantité de peinture requise. Un régime moteur plus élevé n'est pas synonyme de pression de travail plus grande. Le moteur à essence est relié à la pompe hydraulique par le biais d'une association de poulies destinées à fournir un maximum de peinture à un régime moteur maximum.
- La garantie sur les moteurs à essence se limite au fabricant d'origine.

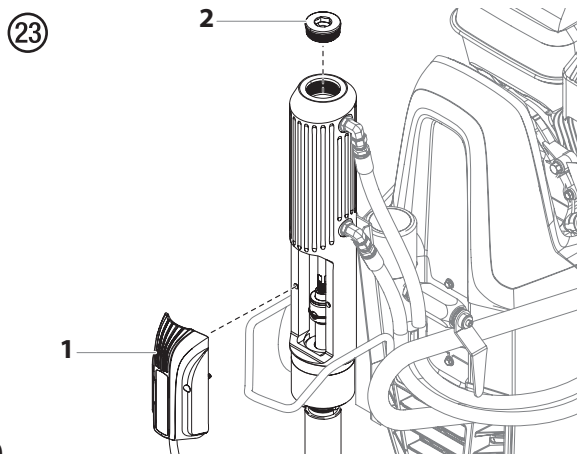
## 7.8 ENTRETIEN DU MOTEUR HYDRAULIQUE

 <p><b>Attention</b></p>	<p>L'entretien du moteur hydraulique doit uniquement s'opérer dans un lieu propre, dénué de toute poussière. Toute poussière ou particule métallique laissée dans le moteur ou s'y introduisant lors du remontage peut endommager les pièces critiques et affecter la durée de vie et la garantie de l'appareil. Toutes les pièces doivent être inspectées afin d'assurer une propreté absolue.</p>
	<p>Pour l'entretien du moteur hydraulique, il est recommandé que le piston soit au milieu de sa course. Suivez les étapes ci-dessous.</p>


1. Tournez le bouton de commande de pression complètement dans le sens contraire des aiguilles d'une montre au paramètre le plus faible.
2. Avec la section des liquides immergée dans un seau d'eau, démarrez le moteur ou allumez le moteur électrique.
3. Tournez le bouton de commande de pression dans le sens des aiguilles d'une montre de 1 à 2 tours complets.
4. Une fois que la pompe est amorcée, tournez la soupape de sûreté à SPRAY (pulvérisation).
5. En regardant la course du piston par la fenêtre à l'arrière du moteur/de la pompe et en utilisant la plus petite buse disponible (pour la vitesse du piston la plus lente possible), pulvérisez l'eau dans le seau (ou autre récipient à déchets). Arrêtez de pulvériser lorsque le piston est à la position souhaitée.
6. Éteignez le moteur ou le moteur électrique.
7. Continuez en suivant les étapes suivantes.

### DÉMONTAGE DU MOTEUR HYDRAULIQUE

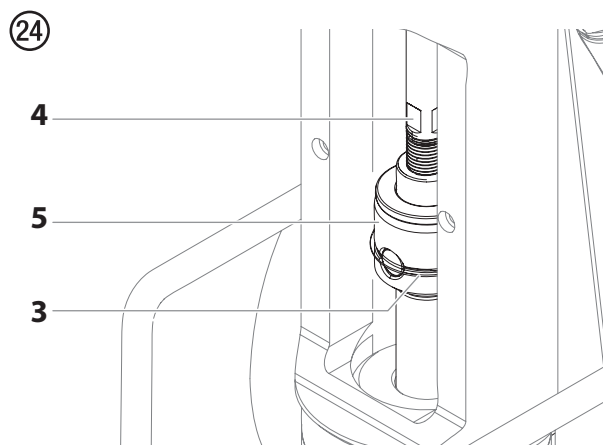
1. À l'aide d'une clé hexagonale, desserrez les vis imperdables qui fixent l'ensemble de la carte PCB (fig. 23, article 1) au vérin du moteur hydraulique. Une fois enlevée, la carte peut pendre de son cordon.
2. Enlevez le bouchon mâle de la culasse (2) du vérin du moteur hydraulique.




3. À l'aide d'une seringue ou d'une éponge, absorbez le fluide hydraulique excédentaire dans la cavité laissée par l'enlèvement de la fiche de la tête du cylindre.
4. Dans la zone d'accès laissée par l'enlèvement de l'ensemble de la carte PCB, situez les côtés plats sur la partie inférieure du piston hydraulique (fig. 24, article 3). Placez une clé sur les côtés plats du piston hydraulique.
5. Glissez l'anneau de retenue (4) sur le coupleur du piston (5) vers le haut pour dégager les trous du coupleur.
6. Insérez soigneusement un tournevis dans un des trous libres du coupleur du piston (5) pour le fixer.

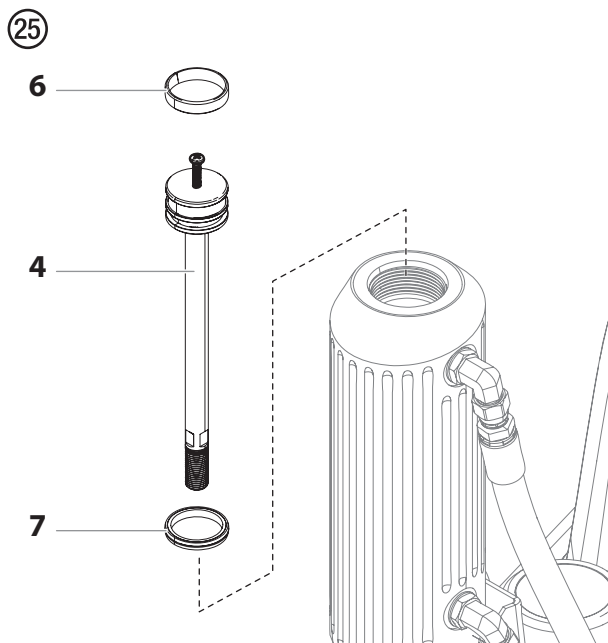
	<p>Il se peut que vous deviez tourner l'ensemble du piston hydraulique (4) et le coupleur (5) légèrement avec la clé pour avoir accès à l'un des trous libres.</p>
---	--

7. Desserrez le piston hydraulique (4) du coupleur (5) à l'aide de la clé sur les côtés plats du piston hydraulique (4).

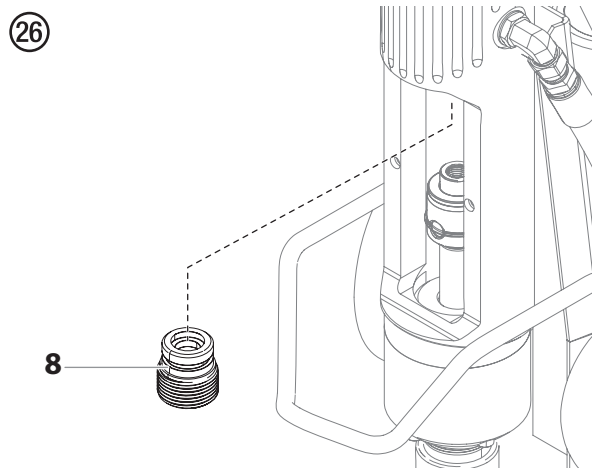


8. Vissez légèrement une vis 1/4 - 20 dans le dessus du piston hydraulique (fig. 25, article 4). À l'aide de la vis, tirez le piston du dessus du vérin du moteur hydraulique.
9. Enlevez soigneusement le joint d'étanchéité (6) et la bague d'usure (7) du piston. Remplacez-les par de nouvelles pièces de la trousse.

	<p>Assurez-vous d'enduire le nouveau joint d'étanchéité et la nouvelle bague d'usure d'huile hydraulique avant de les installer.</p>
---	--



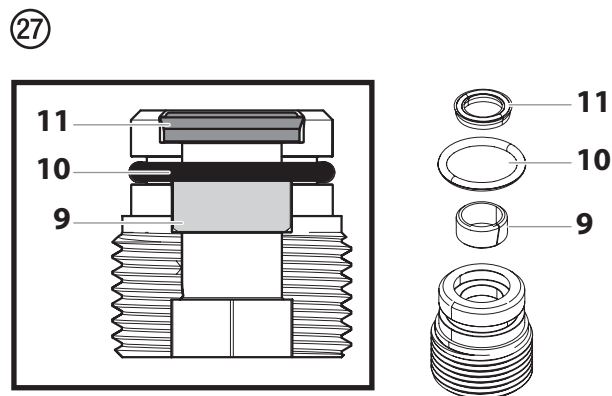
10. À l'aide d'une clé hexagonale en forme de L, dévissez l'ensemble de la fiche (fig. 26, article 8) de l'intérieur du vérin du moteur hydraulique.



11. Enlevez soigneusement la bague d'usure (fig. 27, article 9), le joint torique (10) et la coupelle d'étanchéité avec un joint torique (11) de la fiche.

 <b>Attention</b>	<p>Enlevez très soigneusement ces pièces. N'égratignez pas la surface en métal de l'ensemble de la fiche.</p>
----------------------	---

12. Trempez les nouvelles pièces de la trousse dans l'huile hydraulique et installez-les sur la fiche. Assurez-vous que le joint torique sur le côté supérieur du joint d'étanchéité (11) est visible depuis le haut de la fiche après son installation.



**REMONTAGE DU MOTEUR HYDRAULIQUE**

1. Enduire les fils de l'ensemble de la fiche (8) avec anti-saïe. Remplacez l'ensemble de la fiche (8) à l'intérieur du vérin du moteur hydraulique. Couple à 450-500 in.lbs (50,8-56,5 Nm).

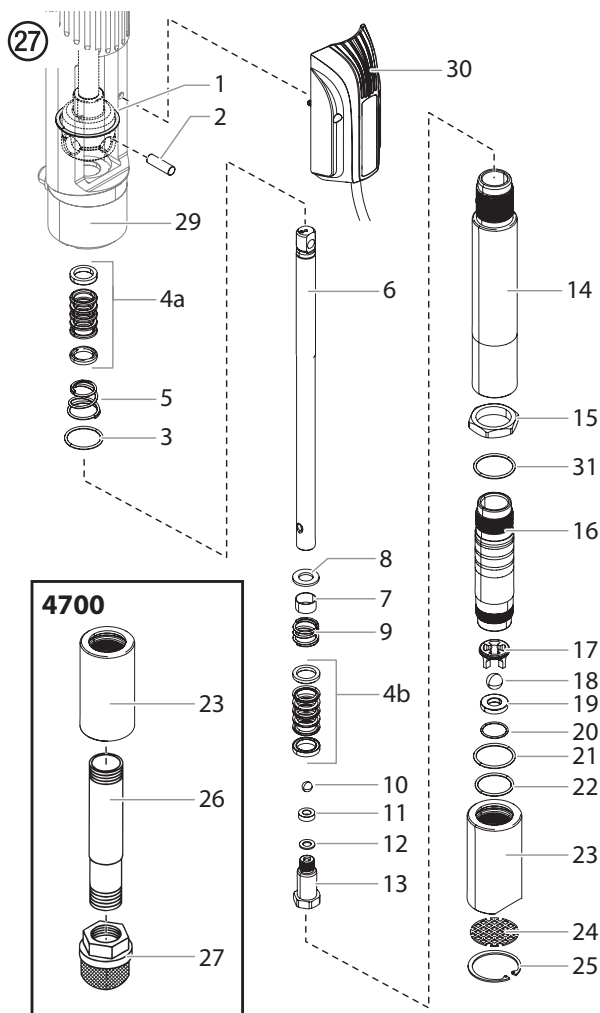
	<p>Inspectez le fond du piston hydraulique pour détecter d'éventuelles parties tranchantes qui pourraient endommager le joint d'étanchéité du piston (11) pendant la réinstallation.</p>
--	--

2. Remplacez le piston hydraulique (4) sur le dessus du vérin du moteur hydraulique. À l'aide d'un maillet en caoutchouc, tapez soigneusement sur le piston pour l'insérer dans le cylindre jusqu'à ce que les côtés plats soient visibles dans la zone d'accès au-dessus du coupleur du piston (5).
3. Enlevez la vis 1/4 - 20 du dessus de l'ensemble du piston.
4. Appliquer un casier de fil amovible (Bleu) sur les filets du piston hydraulique (4). En utilisant un tournevis dans le trou libre du coupleur du piston (5) et une clé sur les côtés plats du piston hydraulique (4), fixez à nouveau les deux pièces et serrez-les. Couple à 360-420 in.lbs (40,7-47,4 Nm).
5. Glissez en place l'anneau de retenue sur le coupleur.
6. Lubrifier le joint torique et des fils de noyau de cylindre avec de l'huile hydraulique. Remplacez la fiche de la tête du cylindre (2). Couple à 110-120 ft. lbs (149-162,7 Nm).
7. Remplacez l'ensemble de la carte PCB (1).

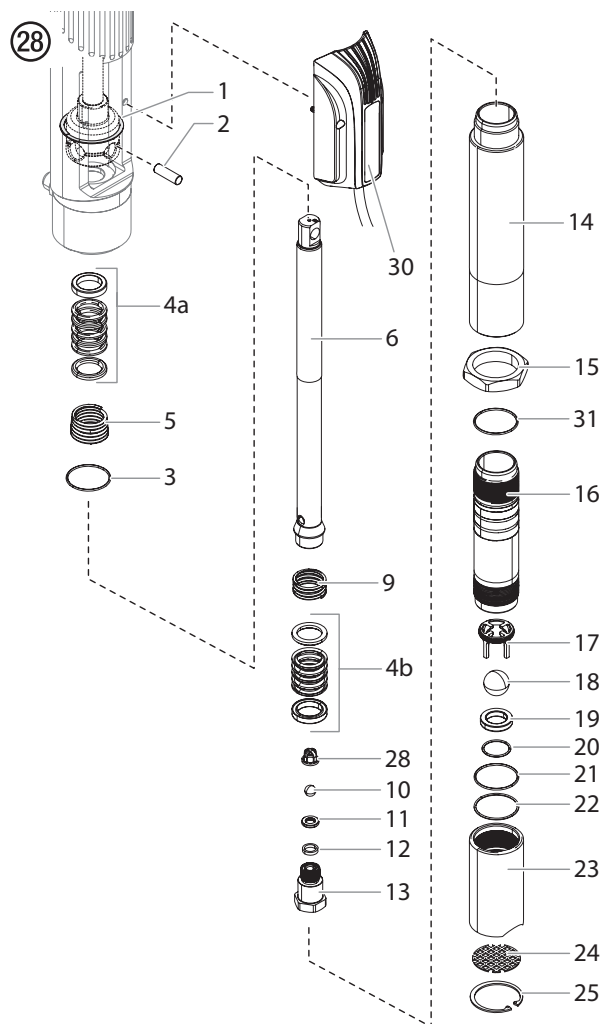
	<p>Une fois que la réparation est terminée, démarrez le moteur ou le moteur électrique. Laissez l'appareil fonctionner pendant quelques minutes et arrêtez-le. Vérifiez immédiatement le niveau d'huile hydraulique et remplissez l'appareil, au besoin.</p>
--	--

## 7.9 MAINTENANCE DE LA SECTION DES LIQUIDES

## POWRBEAST 4700 / POWRBEAST 4700T



## POWRBEAST 7700 / POWRBEAST 9700



Attention

L'utilisation de pièces de rechange autres que celles fournies par Titan peut entraîner l'annulation de la garantie. Demandez des pièces d'origine de Titan pour une meilleure maintenance. Ces pompes doivent être régulièrement entretenues après 1 000 heures d'utilisation environ. Un entretien précoce est nécessaire s'il y a des fuites importantes dans la garniture supérieure ou si la course ascendante ou descendante de la pompe devient trop rapide. L'utilisation du lubrifiant Piston Lube de Titan (n° de pièce 314-480) est conseillée pour lubrifier la garniture supérieure. Ne remplacez pas ce lubrifiant par de l'huile, de l'eau ou un solvant pour lubrifier la garniture supérieure.

## DÉMONTAGE DE LA SECTION DES LIQUIDES

1. À l'aide d'une clé hexagonale, desserrez les vis imperdables qui fixent l'ensemble de la carte PCB (fig. 27, article 30) au vérin du moteur hydraulique. Une fois enlevée, la carte peut pendre de son cordon.


2. Faites glisser la bague de retenue (1) vers le haut au moyen d'un petit tournevis puis extrayez la goupille de connexion (2).
3. **PowrBeast 4700** - Enlevez le tube-siphon (26).
4. Tournez l'écrou d'enlèvement (15) de la section des liquides dans le sens contraire des aiguilles d'une montre afin qu'il atteigne son point le plus bas sur le filetage du vérin (16).
5. Placez une clé sur les côtés plats de l'écrou d'enlèvement de la section des liquides (15). Tournez la clé dans le sens contraire des aiguilles d'une montre pour desserrer l'ensemble de la section des liquides.
6. Tirez soigneusement la section des liquides vers le bas pour enlever le moteur hydraulique.
7. Pour procéder à l'entretien de la section des liquides, stabilisez-la en plaçant les côtés plats de l'écrou d'enlèvement de la section des liquides (15) dans un étau.
8. Dévissez le logement du clapet de pied (23) avec une clé à sangle.
9. Retirez le ressort de garniture supérieure (5) et la garniture supérieure (4a) du bloc moteur/pompe.


10. Placez une clé sur les côtés plats sur le dessus de la tige de déplacement (6). À l'aide d'une seconde clé, desserrez et enlevez le logement de la soupape de sortie (13) de la tige de déplacement (6).
11. Enlevez la rondelle d'étanchéité (12), le siège de la soupape de sortie (11), la bille de la soupape de sortie (10), la cage de la soupape de sortie (28, PowrBeast 7700 / PowrBeast 9700 uniquement), la garniture inférieure (4b), le ressort de garniture inférieure (9) et la bague de retenue du ressort (8, PowrBeast 4700).
12. À l'aide d'une rallonge de 1,25 cm fixée à une clé à cliquet de 1,25 cm, insérez le bout de la rallonge dans l'ouverture carrée de la cage du clapet de pied (17) à l'intérieur du logement du clapet de pied (23). Dévissez et enlevez la cage du clapet de pied du logement du clapet de pied.
13. Retirez le joint torique en PTFE (22), la bille du clapet de pied (18), le siège du clapet de pied (19) et le joint torique du siège (20) du logement du clapet de pied (23).
14. Retirez le joint torique (21) du cylindre de la pompe (16).

côtés sont usés, utilisez un nouveau siège. Insérez la cage de soupape de sortie (28, PowrBeast 7700 / 9700 uniquement), la bille de la soupape de sortie (10), le siège, qu'il soit nouveau ou retourné (côté usé le plus éloigné de la bille) et une nouvelle rondelle d'étanchéité (12) dans la tige de déplacement (6).

7. Nettoyez les filetages du logement de la soupape de sortie (13) et enduisez les filetages de Loctite bleue n° 242. Assurez-vous qu'il n'y a pas de Loctite ailleurs que sur les filetages.
8. Placez le ressort de garniture inférieure (9) sur le logement de soupape de sortie (13), puis et la bague de retenue du ressort (8, PowrBeast 4700).
9. Vissez la tige de déplacement (6) et le logement de la soupape de sortie (13) ensemble. Vissez dans un étau à 50 pi/lbs. (68 Nm).
10. Insérez le joint torique en PTFE (3) dans la rainure supérieure du bloc moteur/pompe.
11. Insérez la garniture supérieure (4a) dans le bloc moteur/pompe avec la pointe des garnitures en « V » vers le haut en direction du moteur.


**REMONTAGE DE LA SECTION DES LIQUIDES**


	Utilisez du ruban en PTFE sur tous les raccords de tuyaux filetés.
---	--

	Les garnitures doivent être trempées dans l'huile (CoolFlo) avant d'être installées.
---	--

1. Placez un nouveau joint torique du siège (20) dans la rainure en bas du logement du clapet de pied (23).
2. Vérifiez l'usure du siège du clapet de pied (19). Si un côté est usé, retournez le siège du côté qui n'est pas usé. Si les deux côtés sont usés, installez un nouveau siège. Placez le nouveau siège, ou le siège retourné (côté usé vers le bas) dans l'alésage au bas du logement du clapet de pied (23).
3. Placez une nouvelle bille de clapet de pied (18) sur le siège du clapet de pied (19). A l'aide d'une barre d'extension 1/2" attachée à un cliquet guide 1/2", insérez l'extrémité de la barre d'extension dans l'ouverture carrée de la cage du clapet de pied (17) et vissez la cage du clapet de pied à l'intérieur du logement du clapet de pied (23). Serrez la cage à 240 po/lbs (20 pi./lbs.).
4. Insérez un nouveau joint torique en PTFE (22) dans la rainure du logement du clapet de pied (23). Lubrifiez le joint torique avec de l'huile ou de la graisse.
5. Après avoir trempé les garnitures en cuir dans l'huile (huile de lin de préférence), rassemblez la garniture inférieure (4b). Placez la garniture inférieure sur le logement de la soupape de sortie (13) avec la pointe des garnitures en « V » vers le bas, en direction de l'hexagonal du logement de la soupape de sortie.



12. Placez le ressort de garniture supérieure (5) dans le bloc moteur/pompe avec la petite extrémité conique vers le haut, en direction du bloc moteur/pompe.
13. Insérez la tige de déplacement (6) par les garnitures supérieures du bloc moteur/pompe.
14. Alignez les trous dans la tige de déplacement (6) et la tige du piston hydraulique puis insérez la goupille de connexion (2). Replacez la bague de retenue (1) sur la goupille de connexion.
15. **PowrBeast 4700** - Vissez le filetage long du cylindre de la pompe (16) dans le moteur/groupe de pompage et serrez-le avec une clé à sangle.
16. Vissez le filetage mâle de l'entretoise du cylindre (14) dans le moteur/groupe de pompage et serrez-le avec une clé à sangle. Vissez le filetage long du cylindre de la pompe (16) dans l'entretoise du cylindre (14) et serrez-le avec une clé à sangle.
17. Placez le joint torique (21) dans la rainure supérieure du cylindre de la pompe (16).
18. Vissez le logement du clapet de pied (23) sur le cylindre de la pompe (16), serrez avec une clé à sangle.
19. **PowrBeast 4700** - Installer le tube-siphon (26).

	Toutes les garnitures en cuir doivent être trempées dans de l'huile (CoolFlo) pendant 15 à 20 minutes avant d'être installées. Tremper les garnitures trop longtemps causera le gonflement des garnitures. Le remontage sera par conséquent plus difficile.
---	---

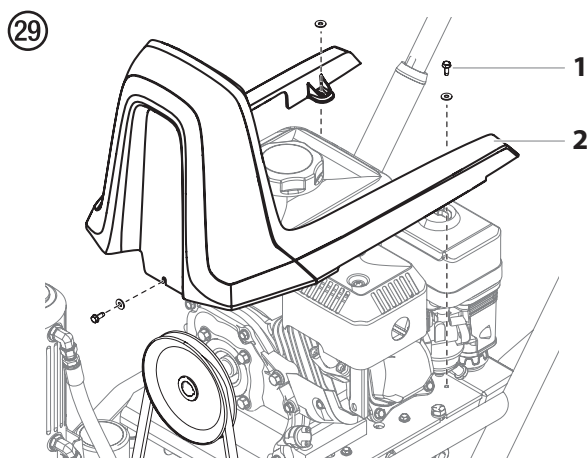
	Il n'est pas nécessaire de trop visser le logement du clapet de pied. Les joints toriques servent de joints sans serrage excessif. Il suffit d'engager totalement le filetage. <b>PowrBeast 4700</b> - Pour fixer le tube du siphon, il est très important que les filetages du tube du siphon pénètrent facilement dans le logement du clapet de pied avec les raccords du tube en PTFE équipés et recouverts de mastic d'étanchéité pour empêcher toute fuite d'air.
---	---

6. Vérifiez l'usure du siège de la soupape de sortie (11). Si un côté est usé, tournez le siège du côté qui n'est pas usé. Si les deux

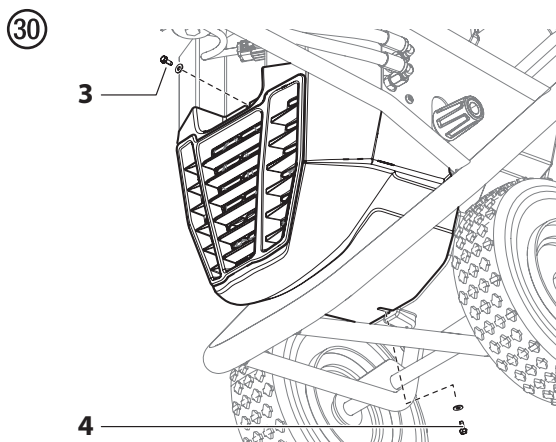
## 7.10 REMPLACEMENT DE LA COURROIE

	<p>Avant de remplacer la courroie de votre appareil, assurez-vous d'avoir suivi la procédure de décompression illustrée dans la section Fonctionnement du présent manuel. NE tentez PAS d'effectuer cette réparation pendant que l'appareil est en marche.</p>
	<p>Les images ci-dessous illustrent un appareil muni d'un moteur à essence. Toutes les directives de cette section s'appliquent à la fois aux modèles ayant un moteur à essence et aux modèles ayant un moteur électrique, sauf lorsqu'il est indiqué autrement.</p>

1. Enlevez les trois vis et rondelles (1) qui fixent le carénage supérieur (2) au châssis. Enlevez le carénage.



2. Enlevez la vis avant (3) et la vis du bas (4) qui fixe le carénage inférieur à l'appareil principal. Enlevez l'ensemble du carénage.



3. Insérez soigneusement l'extrémité du tournevis entre la courroie et la poulie supérieure tel qu'illustré (fig. 31).

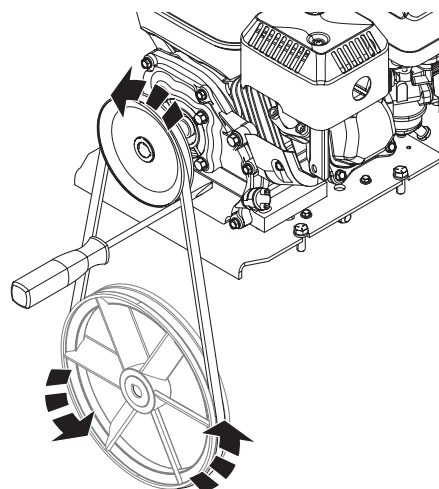
4. Avec le tournevis en place, utilisez l'autre main pour tourner manuellement la courroie et les poulies dans le sens contraire des aiguilles d'une montre. Laissez le tournevis suivre le mouvement de la poulie et forcez la courroie vers l'extérieur en même temps. Continuez de tourner la poulie d'environ 1/2 tour et la courroie s'enlèvera de la poulie supérieure avec l'aide du tournevis.



**RISQUE DE PINCEMENT.** Assurez-vous de garder vos doigts à l'écart de la zone de contact entre le tournevis et la poulie. Ne laissez pas vos doigts s'insérer entre la courroie et la poulie pendant qu'elles tournent.

**DANGER DE BRÛLURE.** Assurez-vous de laisser le moteur à essence se refroidir suffisamment avant de le toucher.

31



### RÉINSTALLATION

1. Enroulez la nouvelle courroie sur la poulie supérieure jusqu'à ce que la courroie s'insère dans la gorge de poulie.
2. Laissez la courroie pendre de la poulie supérieure. Avec votre main, tenez la courroie en place à la position d'environ 3:00 sur la gorge de la poulie inférieure.
3. Utilisez l'autre main pour tourner manuellement la poulie supérieure dans le sens des aiguilles d'une montre. Laissez la main tenant la courroie de la poulie inférieure suivre le mouvement. Le mouvement de la poulie et le placement de votre main sur la courroie de la poulie inférieure permettront à la courroie de glisser en place sur la poulie inférieure.



Assurez-vous que la courroie n'est pincée ou enroulée en aucune façon.

4. Inversez les étapes 1 et 2 pour remonter l'appareil.

## 8 DÉPANNAGE

### 8.1 PISTOLET SANS AIR

PROBLÈME	CAUSE	SOLUTION
A. Le pistolet projette par erreur	<ol style="list-style-type: none"> <li>1. Présence d'air dans le circuit</li> <li>2. Pistolet sale</li> <li>3. Déréglage de l'aiguille</li> <li>4. Siège de soupape endommagé ou fêlé</li> </ol>	<ol style="list-style-type: none"> <li>1. Inspectez les raccords pour détecter une éventuelle fuite d'air.</li> <li>2. Démontez et nettoyez.</li> <li>3. Inspectez et réglez.</li> <li>4. Inspectez et remplacez.</li> </ol>
B. Le pistolet ne s'arrête pas	<ol style="list-style-type: none"> <li>1. Aiguille &amp; siège endommagés ou usés</li> <li>2. Déréglage de l'aiguille</li> <li>3. Pistolet sale</li> </ol>	<ol style="list-style-type: none"> <li>1. Remplacez.</li> <li>2. Réglez.</li> <li>3. Nettoyez.</li> </ol>
C. Le pistolet ne pulvérise pas	<ol style="list-style-type: none"> <li>1. Absence de peinture</li> <li>2. Filtre ou embout obstrués</li> <li>3. Aiguille du pistolet endommagée</li> </ol>	<ol style="list-style-type: none"> <li>1. Vérifiez l'alimentation en fluide.</li> <li>2. Nettoyez.</li> <li>3. Remplacez.</li> </ol>

### 8.2 SECTION DES LIQUIDES

PROBLÈME	CAUSE	SOLUTION
A. La pompe ne libère du produit que lors de la course ascendante ou monte lentement et descend rapidement (généralement appelé plongée descendante).	<ol style="list-style-type: none"> <li>1. La bille du clapet de pied inférieur n'est pas stable à cause des dépôts de déchets ou de l'usure</li> <li>2. Produit trop visqueux pour être aspiré.</li> <li>3. Présence d'une fuite d'air dans le siphon ou tuyau du siphon endommagé. Le siphon peut être trop petit pour les produits denses.</li> </ol>	<ol style="list-style-type: none"> <li>1. Ôtez le clapet de pied. Nettoyez et inspectez. Testez le clapet de pied en le remplissant d'eau ; si la bille tombe pour sceller le siège, remplacez la bille.</li> <li>2. Dilution du produit – contactez le fabricant pour connaître les procédures de dilution appropriées.</li> <li>3. Serrez tous les raccords situés entre la pompe et le réservoir de peinture. S'ils sont endommagés, remplacez-les. Passez à un siphon de diamètre plus large.</li> </ol>
B. La pompe ne libère du produit que dans sa course descendante ou monte rapidement et descend lentement.	<ol style="list-style-type: none"> <li>1. La bille supérieure n'est pas stable à cause des dépôts de déchets ou de l'usure</li> <li>2. La garniture inférieure est usée.</li> </ol>	<ol style="list-style-type: none"> <li>1. Vérifiez le siège supérieur et la bille avec de l'eau. Si la bille ne scelle pas l'ensemble, remplacez le siège.</li> <li>2. Remplacez l'ensemble des garnitures si elles sont usées.</li> </ol>
C. La pompe monte et descend rapidement, en libérant du produit.	<ol style="list-style-type: none"> <li>1. Le réservoir de produit est vide ou le produit est trop épais pour s'écouler dans le tuyau du siphon.</li> <li>2. La bille inférieure est collée au siège du clapet de pied.</li> <li>3. Le tuyau du siphon est tordu ou dévissé.</li> </ol>	<ol style="list-style-type: none"> <li>1. Remplissez de nouveau produit. Si elle est trop épaisse, retirez le tuyau du siphon, immergez la section des liquides dans le produit et amorcez la pompe. Ajoutez du diluant au produit. Installez un siphon plus grand. Ouvrez la soupape de décharge pour évacuer l'air et redémarrez la pompe.</li> <li>2. Ôtez le clapet de pied. Nettoyez la bille et le siège.</li> <li>3. Resserrez.</li> </ol>
D. La pompe monte et descend lentement lorsque le pistolet vaporisateur est éteint.	<ol style="list-style-type: none"> <li>1. Les raccords sont dévissés. La soupape de décharge est partiellement ouverte ou usée. Le siège des garnitures inférieures est usé.</li> <li>2. La bille supérieure et/ou la bille inférieure ne sont pas stables.</li> </ol>	<ol style="list-style-type: none"> <li>1. Vérifiez tous les raccords entre la pompe et le pistolet. Resserrez si nécessaire. Si du produit s'écoule du tuyau de décharge, fermez la soupape de décharge ou remplacez-la le cas échéant. Si aucune de ces solutions ne fonctionne, remplacez la garniture inférieure.</li> <li>2. Remettez la bille en place en la nettoyant.</li> </ol>
E. Le pistolet ne dispose pas d'une pression du liquide suffisante.	<ol style="list-style-type: none"> <li>1. L'embout pulvérisateur est usé.</li> <li>2. Le filtre de sortie ou le filtre du pistolet sont obstrués.</li> <li>3. Tension faible et/ou intensité de courant électrique inappropriée.</li> <li>4. Taille ou longueur du tuyau trop petite ou trop grande.</li> </ol>	<ol style="list-style-type: none"> <li>1. Remplacez.</li> <li>2. Nettoyez ou remplacez le filtre.</li> <li>3. Vérifiez le circuit électrique. Corrigez si besoin est.</li> <li>4. Augmentez le diamètre du tuyau afin de minimiser la chute de pression le long du tuyau et/ou réduisez la longueur du tuyau.</li> </ol>
F. La pompe broute pendant la course ascendante ou descendante.	<ol style="list-style-type: none"> <li>1. Le solvant a fait gonfler la garniture supérieure.</li> </ol>	<ol style="list-style-type: none"> <li>1. Remplacez les garnitures.</li> </ol>

## 8.3 MOTEURS HYDRAULIQUES

### PROBLÈME

A. Le moteur hydraulique cale du bas ou au haut de sa course; pression faible ou intermittente de la pompe; vitesse de course inhabituelle; température élevée de l'huile hydraulique (au-dessus de 93 °C [200 °F]).

### CAUSE

1. Faible niveau d'huile hydraulique.
2. Le réglage de commande de pression est trop faible.
3. Défaillance de la courroie hydraulique ou de la poulie.
4. Défaillance du piston hydraulique.
5. Piston de la section des liquides lié ou brisé.
6. Défaillance du joint d'étanchéité de la tige de piston hydraulique
7. Défaillance du joint d'étanchéité de la tête de piston hydraulique
8. Autre

### SOLUTION

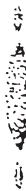
1. Vérifiez le niveau d'huile. Remplissez l'appareil, au besoin. Si le niveau d'huile est à plein, vérifiez le contrôleur.
2. Assurez-vous que le bouton de commande de pression est tourné assez haut pour faire fonctionner le moteur. Si le réglage de commande de pression est bon, vérifiez la courroie et les poulies.
3. Assurez-vous que la clé est présente dans l'arbre de sortie du moteur/moteur électrique et l'arbre d'entrée de la pompe hydraulique. Assurez-vous que la courroie n'est pas brisée et qu'elle est assez tendue. Si la courroie et les poulies sont en bon état, veuillez communiquer avec un centre de service Titan autorisé.
4. Inspectez visuellement la tige de piston hydraulique pour des signes de fissures. S'il est évident que la tige de piston hydraulique est brisée, enlevez/remplacez le piston hydraulique. Selon l'endroit du bris, il se peut que le coupleur du piston doive également être remplacé. Veuillez visiter un centre de service Titan autorisé si vous avez besoin d'aide. Si le piston hydraulique n'est pas endommagé, vérifiez si le piston de la section des liquides est lié/brisé.
5. Pour vérifier si le piston de la section des liquides est lié/brisé, découpez le piston hydraulique du piston à peinture en enlevant la goupille de positionnement. Mettez l'appareil en marche. Si le moteur hydraulique fonctionne lorsque le piston hydraulique est découplé du piston à peinture, le problème est sûrement dans la section des liquides. Veuillez vous rendre à un centre de service Titan autorisé si vous avez besoin d'aide. Si le moteur hydraulique ne fonctionne toujours pas, vérifiez le joint d'étanchéité de la tige de piston hydraulique.
6. Enlevez le bouchon du joint de tige du piston hydraulique qui contient le joint de tige, le joint torique et la bague d'usure de la tige. Vérifiez la présence de dommages et remplacez le joint de tige, le joint torique et la bague d'usure de la tige, au besoin. Si le joint de tige, le joint torique et la bague d'usure de la tige ne sont pas endommagés, vérifiez le joint d'étanchéité de la tête du piston hydraulique.
7. Enlevez le piston hydraulique et inspectez/remplacez le joint d'étanchéité et la bague d'usure de la tête du piston, au besoin. Pendant ce processus, vérifiez la présence de dommages ou d'usure inégale de l'alésage du cylindre. Si l'alésage du cylindre est endommagé, remplacez le groupe de pompe, ainsi que le joint d'étanchéité et la bague d'usure de la tête du piston.
8. Si les problèmes persistent, veuillez visiter un centre de service Titan reconnu.



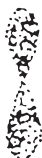
## 8.4 RÉPARTITION DE LA PULVÉRISATION

### PROBLÈME

A. Traînées



B. Sablier



C. Déformation



D. Pulvérisation qui s'étend et se rétracte (surtension)



E. Pulvérisation arrondie



### CAUSE

1. Sortie de liquide incorrecte

1. Sortie de liquide incorrecte

1. L'embout de la buse est obstrué ou usé

1. Fuite d'aspiration  
2. Sortie de liquide par à-coups

1. Embout usé  
2. Liquide trop dense pour l'embout

### SOLUTION

1. Le liquide ne s'atomise pas correctement  
Augmentez la pression du liquide. Changez pour un embout au diamètre plus petit. Réduisez la viscosité du liquide. Réduisez la longueur du tuyau. Nettoyez le pistolet et le(s) filtre(s). Réduisez le nombre de pistolets utilisant la pompe.

1. Cf. ci-avant.

1. Nettoyez ou remplacez l'embout.

1. Détectez toute fuite éventuelle du tuyau d'aspiration.  
2. Changez pour un embout au diamètre plus petit. Installez un amortisseur de pulsations dans le circuit ou purgez l'appareil. Réduisez le nombre de pistolets utilisant la pompe. Débloquez le circuit, nettoyez le filtre de l'embout si le filtre est utilisé.

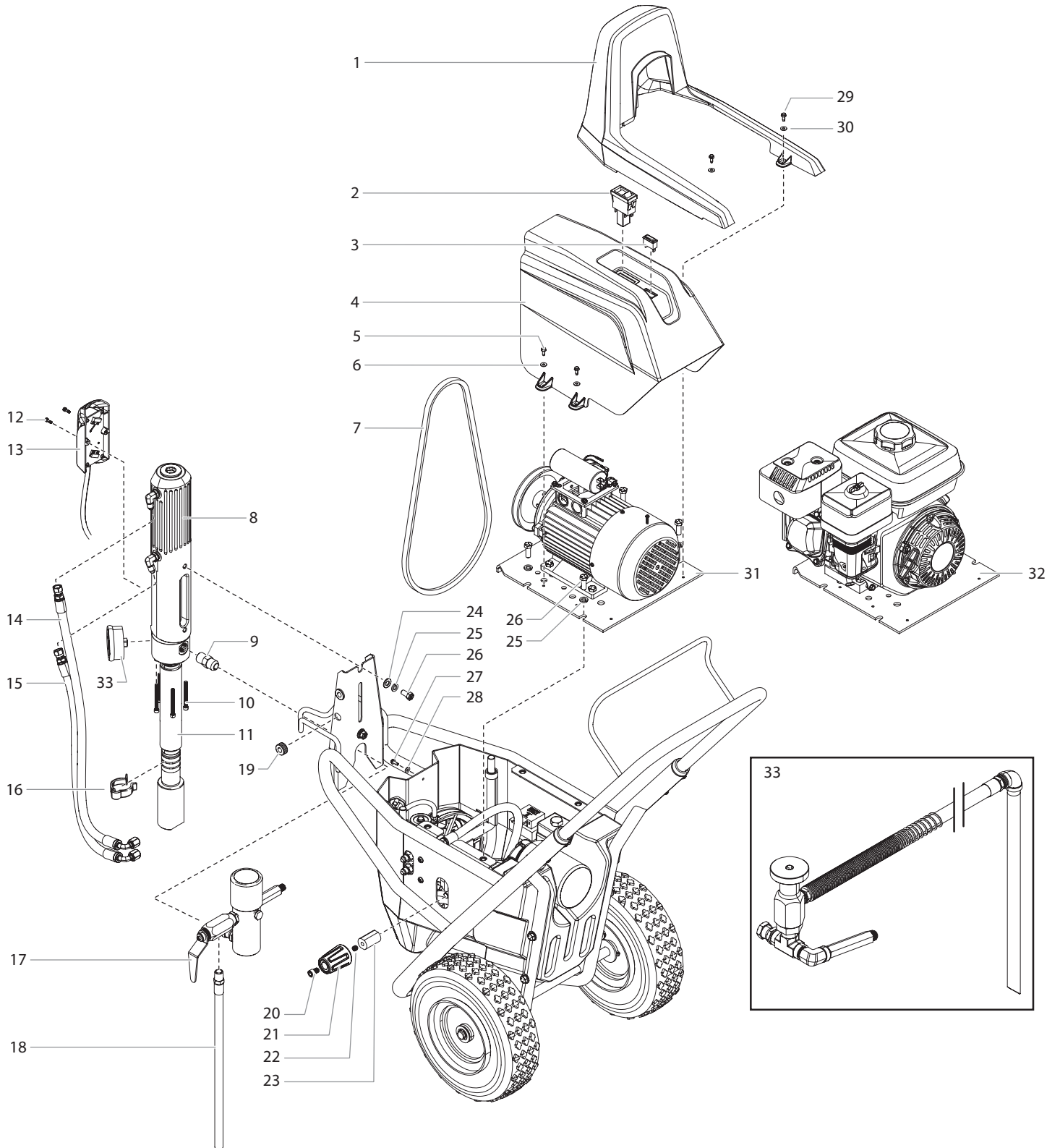
1. Remplacez l'embout.  
2. Augmentez la pression. Diluez le produit. Changez l'embout de la buse.

ILLUSTRATION DES PIÈCES DE RECHANGE

GB MAIN ASSEMBLY I

D HAUPTBAUGRUPPE I

F ENSEMBLE PRINCIPAL I



Pos.	4700 (120V)	4700 (Gas)	7700 (230V)	7700 (Gas)	9700 (Gas)	Description	Benennung	Description
1	0537468A	-----	0537468A	-----	-----	Top shroud	Obere Abdeckung	Carénage supérieur
2	522622	-----	9953704	-----	-----	ON/OFF switch	EIN/AUS-Schalter	Interrupteur MARCHÉ/ ARRÊT
3	2301766	-----	2301766	-----	-----	Indicator light	Kontrollleuchte	Indicateur lumineux
4	537359	-----	537359	-----	-----	Motor cover	Abdeckung	Couvercle
5	449-1006	-----	449-1006	-----	-----	Screw (4)	Schraube (4)	Vis (4)
6	9822612	-----	9822612	-----	-----	Washer (4)	Scheibe (4)	Rondelle (4)
7	290510	-----	537477	-----	-----	Belt, "V", DC electric	Keilriemen, "V", Elektromotor	Courroie, "V", moteur électrique
	-----	537479	-----	537477	537486	Belt, "V", gas engine	Keilriemen, "V", Benzinmotor	Courroie, "V", moteur essence
8*	0537252A	0537252A	0537212A	0537212A	0537212A	Motor / pump assembly	Motoren-/ Pumpenbaugruppe	Bloc moteur/pompe
	0537211A	-----	-----	-----	-----	Motor / pump assembly (4700T)	Motoren-/Pumpen- baugruppe (4700T)	Bloc moteur/pompe (4700T)
9	9885666	9885666	9885666	9885666	9885666	Fitting	Beschläge	Raccord
10	9805478	9805478	9805478	9805478	9805478	Screw (5)	Schraube (5)	Vis (5)
11*	537255	537255	537256	537256	537256	Fluid section assembly	Baugruppe Flüssigkeitsabschnitt	Ensemble de la section des liquides
12	9805494	9805494	9805494	9805494	9805494	PCB board cover screws (2)	Schrauben Leiterplatten- abdeckung (2)	Vis de la housse de la carte PCB (2)
13	0537227A	0537227A	-----	-----	-----	PCB board assembly, 3" (includes item 12)	Bestückung Leiterplatte, 3" (einschl. Pos. 12)	Ensemble de la carte PCB, 3" (inclut l'article 12)
	-----	-----	0537272A	0537222A	0537222A	PCB board assembly, 4" (includes item 12)	Bestückung Leiterplatte, 4" (einschl. Pos. 12)	Ensemble de la carte PCB, 4" (inclut l'article 12)
14	537366	537366	537366	537366	537366	Compensator return hose	Rücklaufschlauch Kompensator	Tube de retour du compensateur
15	537365	537365	537365	537365	537365	Compensator return hose	Rücklaufschlauch Kompensator	Tube de retour du compensateur
16	537537	537537	537537	537537	537537	Bypass tube clip	Bypassrohrstutzen	Agrafe du conduit en dérivation
17*	0537220A	0537220A	0537220A	0537220A	0537220A	Filter assembly	Filterbaugruppe	Ensemble de filtre
18	800-904	800-904	800-904	800-904	800-904	Bypass tube	Bypassrohr	Conduit en dérivation
19	800-036	800-036	800-036	800-036	800-036	Grommit (2)	Dichtscheibe (2)	Œillet (2)
20	9805497	9805497	9805497	9805497	9805497	Screw	Schraube	Vis
21	0537305B	0537305B	0537305B	0537305B	0537305B	Pressure control knob	Druckregulierknopf	Bouton de réglage de pression
22	755-224	755-224	755-224	755-224	755-224	Set screw	Sicherungsschraube	Vis de blocage
23	537554	537554	537554	537554	537554	Knob adapter	Knopfadapter	Adaptateur du bouton
24	509285	509285	509285	509285	509285	Washer (2)	Scheibe (2)	Rondelle (2)
25	509292	509292	509292	509292	509292	Lock washer (6)	Federscheibe (6)	Rondelle d'arrêt (6)
26	862-428	862-428	862-428	862-428	862-428	Screw (6)	Schraube (6)	Vis (6)
27	449-1006	449-1006	449-1006	449-1006	449-1006	Screw	Schraube	Vis
28	9822612	9822612	9822612	9822612	9822612	Washer	Scheibe	Rondelle
29	449-1006	449-1006	449-1006	449-1006	449-1006	Screw (2)	Schraube (2)	Vis (2)
30	9822612	9822612	9822612	9822612	9822612	Washer (2)	Scheibe (2)	Rondelle (2)
31**	-----	-----	-----	-----	-----	Electric motor assembly	Baugruppe Elektromotor	Ensemble du moteur électrique
32**	-----	-----	-----	-----	-----	Gas engine assembly	Baugruppe Benzinmotor	Ensemble du moteur à essence
33*	537240	-----	-----	-----	-----	Heavy duty material outlet assembly (PowrBeast 4700T only, in place of item 17)	Auslassbaugruppe für strapazierfähiges Material (nur PowrBeast 4700T, anstelle von Pos. 17)	Ensemble robuste de sortie du produit (PowrBeast 4700T uniquement, au lieu de l'article 17)

\* See separate listing / Siehe separate Auflistung / voir la liste de pièces distincte

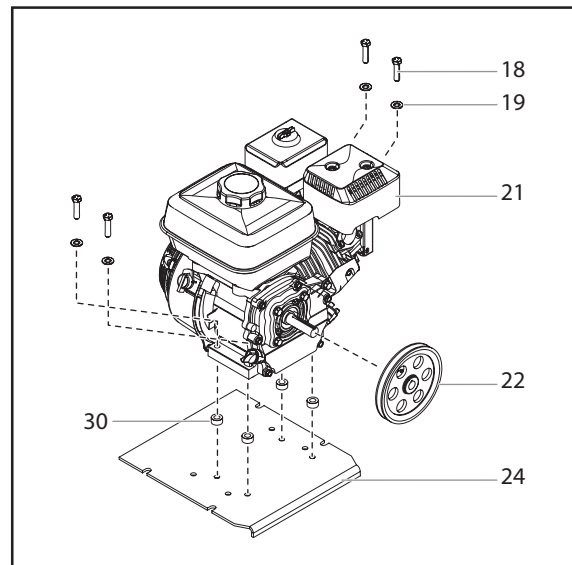
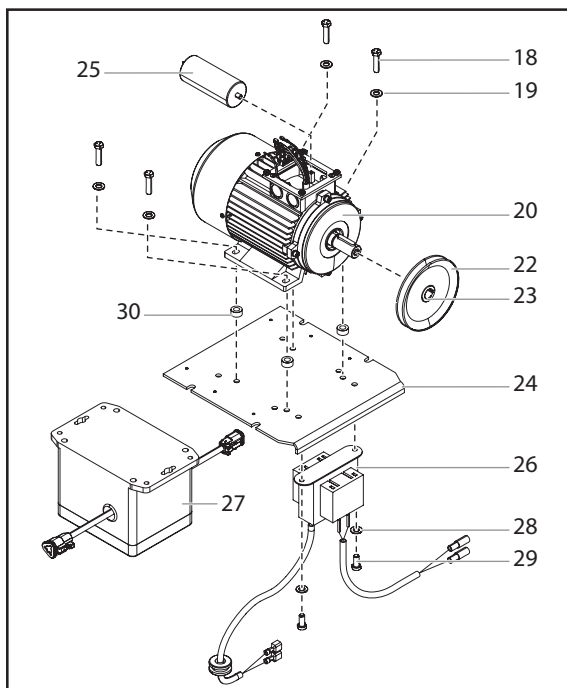
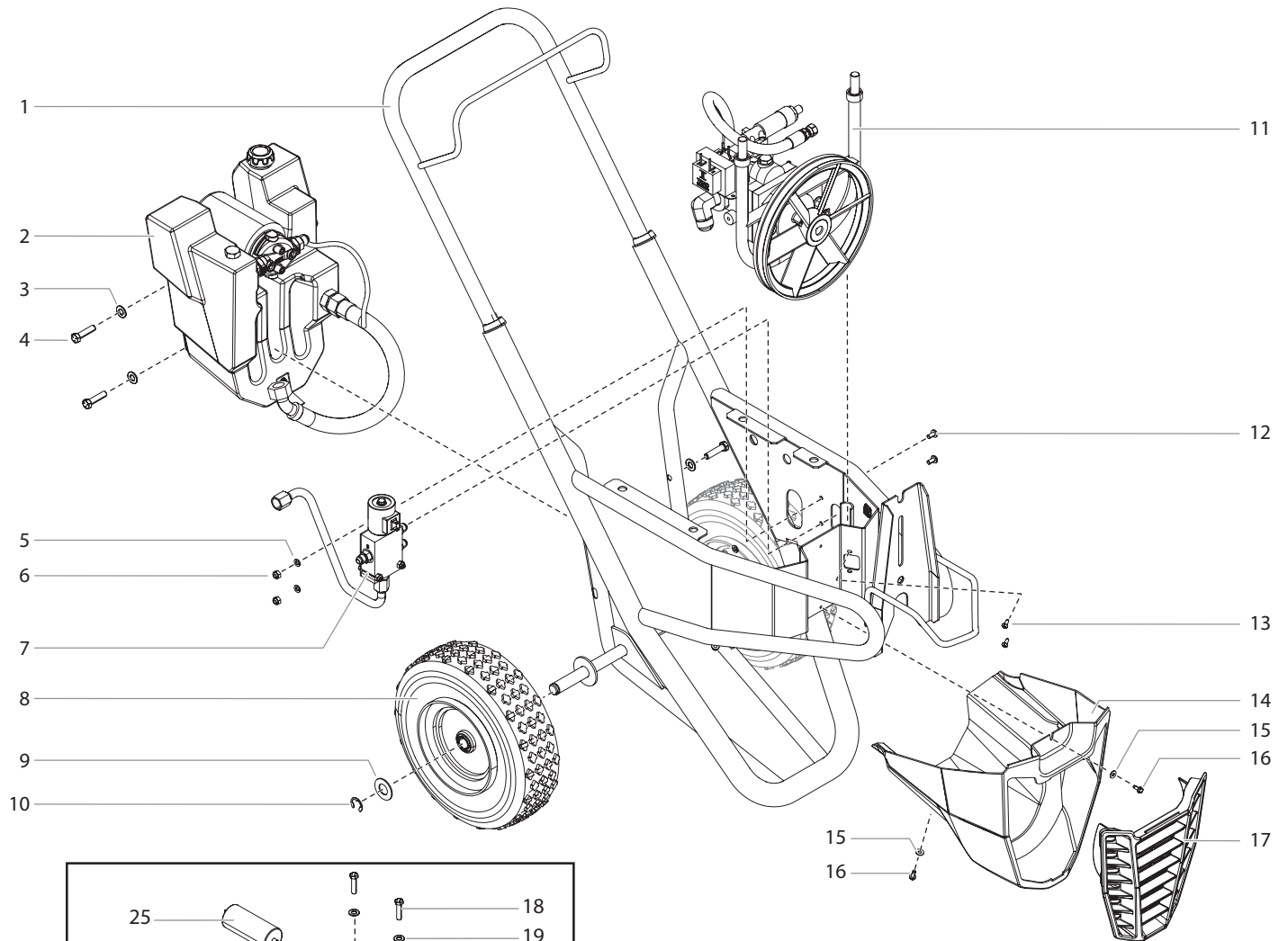
\*\* See Main Assembly II / Siehe Hauptbaugruppe II / Voir l'ensemble principal II

ILLUSTRATION DES PIÈCES DE RECHANGE

GB MAIN ASSEMBLY II

D HAUPTBAUGRUPPE II

F ENSEMBLE PRINCIPAL II

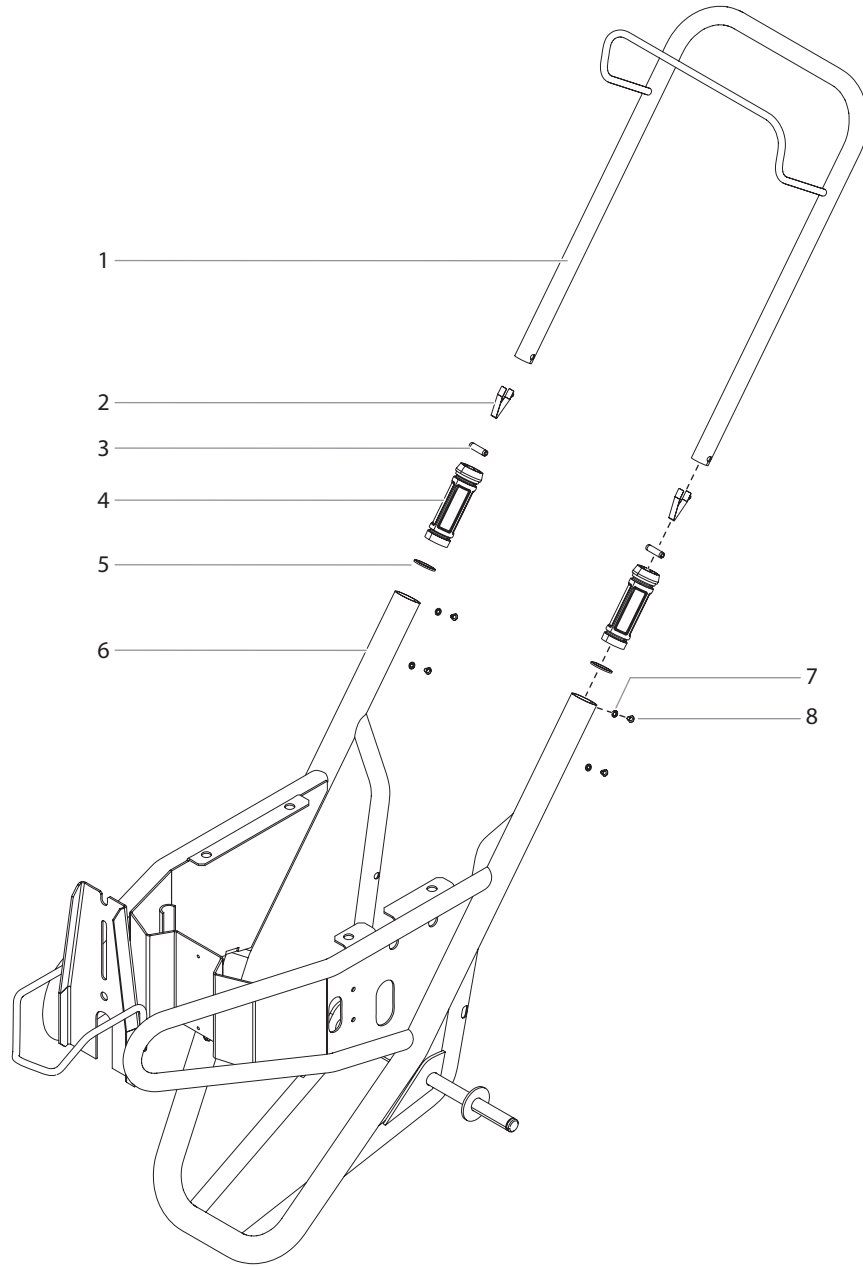


Pos.	4700 (120V)	4700 (Gas)	7700 (230V)	7700 (Gas)	9700 (Gas)	Description	Benennung	Description
1*	-----	-----	-----	-----	-----	Cart assembly	Wagenbaugruppe	Ensemble de chariot
2*	-----	-----	-----	-----	-----	Hydraulic tank assembly	Baugruppe Hydrauliktank	Ensemble du réservoir de fluide hydraulique
3	858-001	858-001	858-001	858-001	858-001	Washer (4)	Scheibe (4)	Rondelle (4)
4	858-652	858-652	858-652	858-652	858-652	Screw (4)	Schraube (4)	Vis (4)
5	858-003	858-003	858-003	858-003	858-003	Washer (2)	Scheibe (2)	Rondelle (2)
6	770-144	770-144	770-144	770-144	770-144	Locknut (2)	Stellmutter (2)	Écrou d'arrêt (2)
7*	0537207A	0537207A	0537283A	0537207A	0537207A	Solenoid assembly	Magnetbausatz	Ensemble du solénoïde
8	670-109	670-109	670-109	670-109	670-109	Wheel (2)	Rad (2)	Roue (2)
9	295687	295687	295687	295687	295687	Washer (4)	Scheibe (4)	Rondelle (4)
10	590-100	590-100	590-100	590-100	590-100	Retaining ring (2)	Sicherungsring (2)	Bague de retenue (2)
11*	0537226A	0537226A	0537226A	0537226A	0537226A	Hydraulic pump assembly	Hydraulikölpumpe	Pompe hydraulique
12	9802527	9802527	9802527	9802527	9802527	Screw (2)	Schraube (2)	Vis (2)
13	9805482	9805482	9805482	9805482	9805482	Screw (2)	Schraube (2)	Vis (2)
14	0537469A	0537469A	0537469A	0537469A	0537469A	Bottom shroud	Untere Abdeckung	Carénage inférieur
15	9822612	9822612	9822612	9822612	9822612	Washer (2)	Scheibe (2)	Rondelle (2)
16	449-1006	449-1006	449-1006	449-1006	449-1006	Screw (2)	Schraube (2)	Vis (2)
17	537411	537411	537411	537411	537411	Air intake grate	Lufteinlassgitter	Grille de la prise d'air
18	862-436	862-436	862-436	862-436	862-436	Screw (4)	Schraube (4)	Vis (4)
19	509292	509292	509292	509292	509292	Washer (4)	Scheibe (4)	Rondelle (4)
20	0537560A	-----	-----	-----	-----	Motor, AC-Electric, 2 Hp, 60 Hz, 120V	Elektromotor, 2 PS, 60 Hz, 120V	Motor électrique, 2 Hp, 60 Hz, 120V
	-----	-----	0537534A	-----	-----	Motor, AC-Electric, 2 Hp, 50 Hz, 230V	Elektromotor, 2 PS, 50 Hz, 230V	Motor électrique, 2 Hp, 50 Hz, 230V
21	-----	730-163A	-----	-----	-----	Engine, gas, GX160, Honda	Benzinmotor, GX160, Honda	Moteur, essence GX160 Honda
	-----	-----	-----	0537466A	-----	Engine, gas, GX200, Honda	Benzinmotor, GX200, Honda	Moteur, essence GX200 Honda
	-----	-----	-----	-----	0537484A	Engine, gas, GX270, Honda	Benzinmotor, GX270, Honda	Moteur, essence GX270 Honda
22	528108	290407	528108	449-984	449-984	Pulley	Seilrolle	Poulie
	537590	-----	-----	-----	-----	Pulley (4700T)	Seilrolle (4700T)	Poulie (4700T)
23	490-117	-----	490-117	-----	-----	Bushing	Buchse	Bague
24	537249	537250	537249	537250	537250	Mounting plate	Montageplatte	Plaque de fixation
25	-----	-----	9952400	-----	-----	Capacitor	Kondensator	Condensateur
26	0537495A	-----	-----	-----	-----	Transformer (120V)	Trafo (120V)	Transformateur (120v)
27	-----	-----	537270	-----	-----	Transformer (230V)	Trafo (230V)	Transformateur (230V)
28	89595	-----	-----	-----	-----	Washer (2)	Scheibe (2)	Rondelle (2)
	-----	-----	89595	-----	-----	Washer (4)	Scheibe (4)	Rondelle (4)
29	9805494	-----	-----	-----	-----	Screw (2)	Schraube (2)	Vis (2)
	-----	-----	9805494	-----	-----	Screw (4)	Schraube (4)	Vis (4)
30	9822656	9822656	9822656	-----	9822656	Spacer (4)	Abstandhalter (4)	Entretoise (4)

ILLUSTRATION DES PIÈCES DE RECHANGE

GB CART ASSEMBLY  
F ENSEMBLE DE CHARIOT

D WAGENBAUGRUPPE



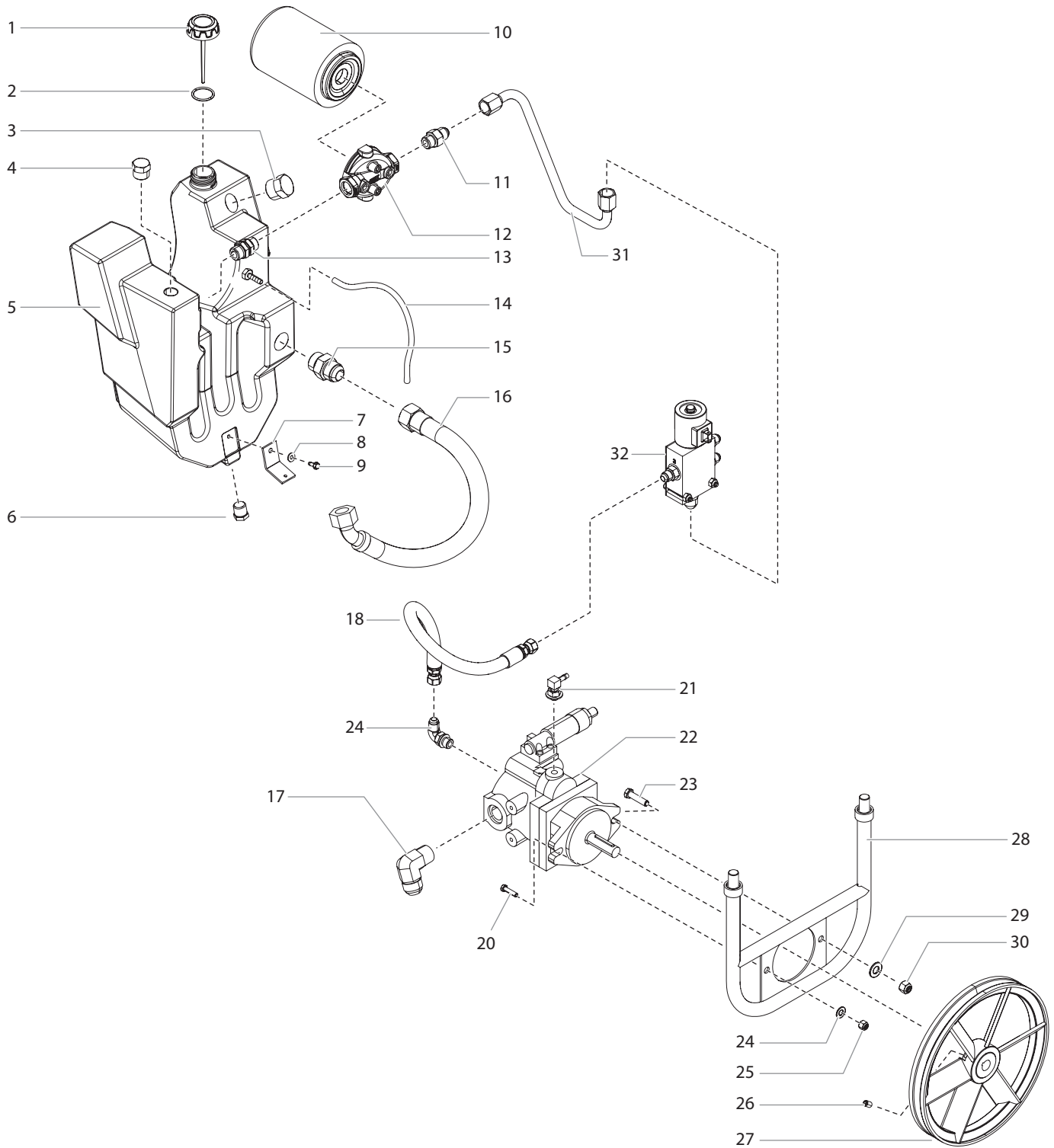
<b>Pos.</b>	<b>4700 (120V)</b>	<b>4700 (Gas)</b>	<b>7700 (230V)</b>	<b>7700 (Gas)</b>	<b>9700 (Gas)</b>	Description	Benennung	Description
<b>1</b>	0537201A	0537201A	0537201A	0537201A	0537201A	Handle	Deichsel	Poignée
<b>2</b>	9841504	9841504	9841504	9841504	9841504	Snap button (2)	Haltefeder (2)	Ressort (2)
<b>3</b>	590-508	590-508	590-508	590-508	590-508	Roll pin (2)	Spannhülse (2)	Goupille de serrage (2)
<b>4</b>	590-504	590-504	590-504	590-504	590-504	Sleeve (2)	Buchse (2)	Douille (2)
<b>5</b>	590-506	590-506	590-506	590-506	590-506	Washer (2)	Scheibe (2)	Rondelle (2)
<b>6</b>	0537200A	0537200A	0537200A	0537200A	0537200A	Frame	Grundgestell	Châssis
<b>7</b>	856-002	856-002	856-002	856-002	856-002	Washer (4)	Scheibe (4)	Rondelle (2)
<b>8</b>	856-921	856-921	856-921	856-921	856-921	Screw (4)	Schraube (4)	Vis (4)

ILLUSTRATION DES PIÈCES DE RECHANGE

GB HYDRAULIC SYSTEM

D HYDRAULIKSYSTEM

F SYSTÈME HYDRAULIQUE



\* See separate listing / Siehe separate Auflistung / voir la liste de pièces distincte



Pos.	4700 (120V)	4700 (Gas)	7700 (230V)	7700 (Gas)	9700 (Gas)	Description	Benennung	Description
1	0537358B	0537358B	0537358B	0537358B	0537358B	Hydraulic fluid dipstick	Ölmesstab	Jauge de niveau
2	9871241	9871241	9871241	9871241	9871241	O-ring	O-ring	Joint torique
3	537572	537572	537572	537572	537572	Breather plug	Entlüftungsschraube	Évent
4	227-027	227-027	227-027	227-027	227-027	Plug	Verschlusschraube	Vis bouchon
5	-----	-----	-----	-----	-----	Hydraulic tank	Hydrauliköltank	Réservoir d'huile hydraulique
6	9885668	9885668	9885668	9885668	9885668	Plug	Verschlusschraube	Vis bouchon
7	537327	537327	537327	537327	537327	Bracket	Halterung	Support
8	770-601	770-601	770-601	770-601	770-601	Washer	Scheibe	Rondelle
9	9805492	9805492	9805492	9805492	9805492	Screw	Schraube	Vis
10	451-220	451-220	451-220	451-220	451-220	Hydraulic filter	Filter	Filtre
11	9885666	9885666	9885666	9885666	9885666	Fitting	Anschluss	Raccord
12	537375	537375	537375	537375	537375	Filter mount	Filterhalter	Monture du filtre
13	537374	537374	537374	537374	537374	Fitting	Anschluss	Raccord
14	420-251	420-251	420-251	420-251	420-251	Case drain hose (connects to item 21)	Ablaufschlauch Gehäuse (wird an Pos. 21 angeschlossen)	Tuyau souple de vidange (se branche à l'article 21)
15	537422	537422	537422	537422	537422	Fitting	Anschluss	Raccord
16	537367	537367	537367	537367	537367	Hydraulic suction hose (connects to item 17)	Hydraulischer Saugschlauch (wird an Pos. 17 angeschlossen)	Tuyau d'aspiration hydraulique (se branche à l'article 17)
17	537496	537496	537496	537496	537496	Elbow	Winkel	Coude
18	537368	537368	537368	537368	537368	Pressure hose	Druckschlauch	Tuyau à pression
19	192-051	192-051	192-051	192-051	192-051	Elbow	Winkel	Coude
20	9805464	9805464	9805464	9805464	9805464	Screw	Schraube	Vis
21	192-228	192-228	192-228	192-228	192-228	Elbow	Winkel	Coude
22	537351	537351	537351	537351	537351	Hydraulic pump	Hydraulikölpumpe	Pompe hydraulique
23	9805464	9805464	9805464	9805464	9805464	Screw	Schraube	Vis
24	509285	509285	509285	509285	509285	Flat washer	Scheibe	Rondelle
25	9812333	9812333	9812333	9812333	9812333	Nut	Mutter	Écrou
26	860-520	860-520	860-520	860-520	860-520	Set screw	Sicherungsschraube	Vis de blocage
27	449-195A	449-195A	449-195A	449-195A	449-195A	Pulley/fan assembly (includes item 26)	Riemenscheibe (einschl. Pos. 26)	Poulie (inclut l'article 26)
28	537245	537245	537245	537245	537245	Belt tensioner assembly	Bausatz Riemenspann- vorrichtung	Ensemble du tendeur de courroie
29	509285	509285	509285	509285	509285	Flat washer	Scheibe	Rondelle
30	9812333	9812333	9812333	9812333	9812333	Nut	Mutter	Écrou
31	537413	537413	537413	537413	537413	Return tube assembly	Rücklaufschlauch	Tuyau de retour
32*	0537207A	0537207A	0537283A	0537207A	0537207A	Solenoid assembly	Magnetbausatz	Ensemble du solénoïde
	0537225A	0537225A	0537225A	0537225A	0537225A	Hydraulic tank assembly (includes items 1-9, 13 and 15)	Bausatz Hydrauliktank (einschl. Pos. 1-9, 13 und 15)	Ensemble du réservoir de fluide hydraulique (inclut les articles 1 à 9, 13 et 15)

ILLUSTRATION DES PIÈCES DE RECHANGE

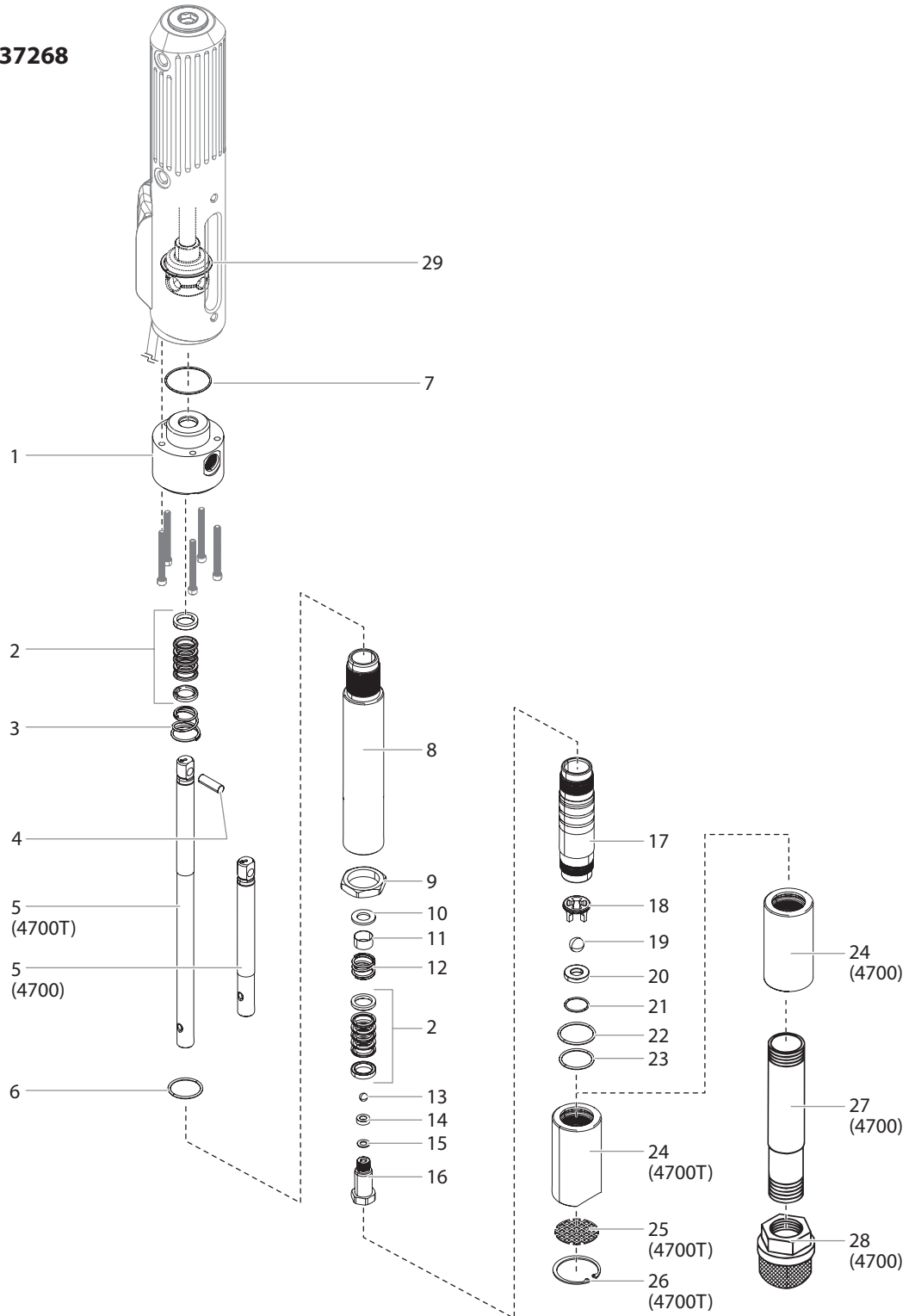
GB FLUID SECTION

F SECTION DES LIQUIDES

D FLÜSSIGKEITSBEREICH

PowrBeast - P/N 537255

PowrBeast 4700T - P/N 537268



Pos.	PowrBeast 4700T (120V)	PowrBeast 4700 (120V)	PowrBeast 4700 (Gas)	Description	Benennung	Description
1	0537346A	0537346A	0537346A	Fluid section housing	Gehäuse Flüssigkeitsabschnitt	Logement de la section des liquides
2	106-002A	106-002A	106-002A	Packing set, leather/UHMWPE/steel (2)	Dichtungssatz, Leder/ Ultrahochmolekulargewichtiges Polyethylen/ Stahl (2)	Garniture, cuir/UHMWPE/ acier (2)
3	106-005	106-005	106-005	Upper packing spring	Konusfeder	Ressort de garniture supérieure
4	107-003	107-003	107-003	Connecting pin	Verbindungsstift	Goupille de liaison
5	537257	107-029	107-029	Piston assembly	Kolben	Piston
6	106-015	106-015	106-015	O-ring, PTFE	O-ring, PTFE	Joint torique, PTFE
7	537433	537433	537433	O-ring	O-ring	Joint torique
8	0537392A	-----	-----	Cylinder spacer	Zylinderabstandshalter	Entretoise du cylindre
9	528299	528299	528299	Lock ring	Seegerring	Bague de retenue
10	106-001	106-001	106-001	Spring retainer	Federhalter	Ressort conique
11	106-116	106-116	106-116	Sleeve	Abziehhülse	Manchon
12	106-016	106-016	106-016	Lower packing spring	Druckfeder	Ressort de garniture inférieure
13	552232	569-021	569-021	Outlet valve ball	Kugel	Bille
14	107-058	107-058	107-058	Outlet valve seat	Auslassventilsitz	Siège du clapet de refoulement
15	-----	107-060	107-060	Seal washer	Scheibe	Rondelle
16	107-055	107-055	107-055	Outlet valve housing	Auslassventilgehäuse	Corps du clapet de refoulement
17	107-946	107-946	107-946	Pump cylinder	Zylinder	Cylindre
18	107-056	107-056	107-056	Foot valve cage	Kugelführung	Guide de bille
19	555596	138-340	138-340	Foot valve ball	Kugel	Bille
20	762-137	762-137	762-137	Foot valve seat	Einlassventilsitz	Siège
21	762-058	762-058	762-058	Seat o-ring	Sitz o-ring	Siège du joint torique
22	106-014	106-014	106-014	O-ring	O-ring	Joint torique
23	106-015	106-015	106-015	O-ring, PTFE	O-ring, PTFE	Joint torique, PTFE
24	0537393A	537395	537395	Foot valve housing	Einlassventilgehäuse	Logement du clapet de pied
25	451-018	-----	-----	Inlet screen	Eintrittsgitter	Écran d'entrée
26	431-054	-----	-----	Snap ring	Sicherungsring	Circlip
27	-----	537462	537462	Siphon tube	Siphonrohr	Tube d'aspiration
28	-----	710-046	710-046	Inlet screen	Eintrittsgitter	Écran d'entrée
29	143-019	143-019	143-019	Retaining ring	Spiralring	Bague spiralée
	537917	537906	537906	Fluid section service kit, major (includes items 5, 17, and fluid section service kit, minor)	Flüssigkeitsbereich Wartungssatz, gross (beinhaltet Teile 5, 17 und Flüssigkeitsbereich Wartungssatz, klein)	Kit de maintenance de la section des liquides, principal (inclut les éléments 5, 17, et le kit de maintenance de la section des fluides, mineur)
	537916	537905	537905	Fluid section service kit, minor (includes items 2, 6, 11, 13, 15, 19, 21-23, 29, and Loctite P/N 426-051)	Flüssigkeitsbereich Wartungssatz, klein (beinhaltet Teile 2, 6, 11, 13, 15, 19, 21-23, 29, und Loctite P/N 426-051)	Kit de maintenance de la section des liquides, mineur (inclut les éléments 2, 6, 11, 13, 15, 19, 21-23, 29, et Loctite n° de pièce 426-051)
	0537254A	-----	-----	Foot valve assembly (includes items 18-26)	Einlassventilbaugruppe (beinhaltet Teile 18-26)	Clapet de pied (inclut les éléments 18-26)
	-----	0537253A	0537253A	Foot valve assembly (includes items 18-24)	Einlassventilbaugruppe (beinhaltet Teile 18-24)	Clapet de pied (inclut les éléments 18-24)
	107-016	107-016	107-016	Outlet valve assembly (includes items 13-16)	Ablassventilbaugruppe (beinhaltet Teile 13-16)	Soupape de sortie (inclut les éléments 13-16)

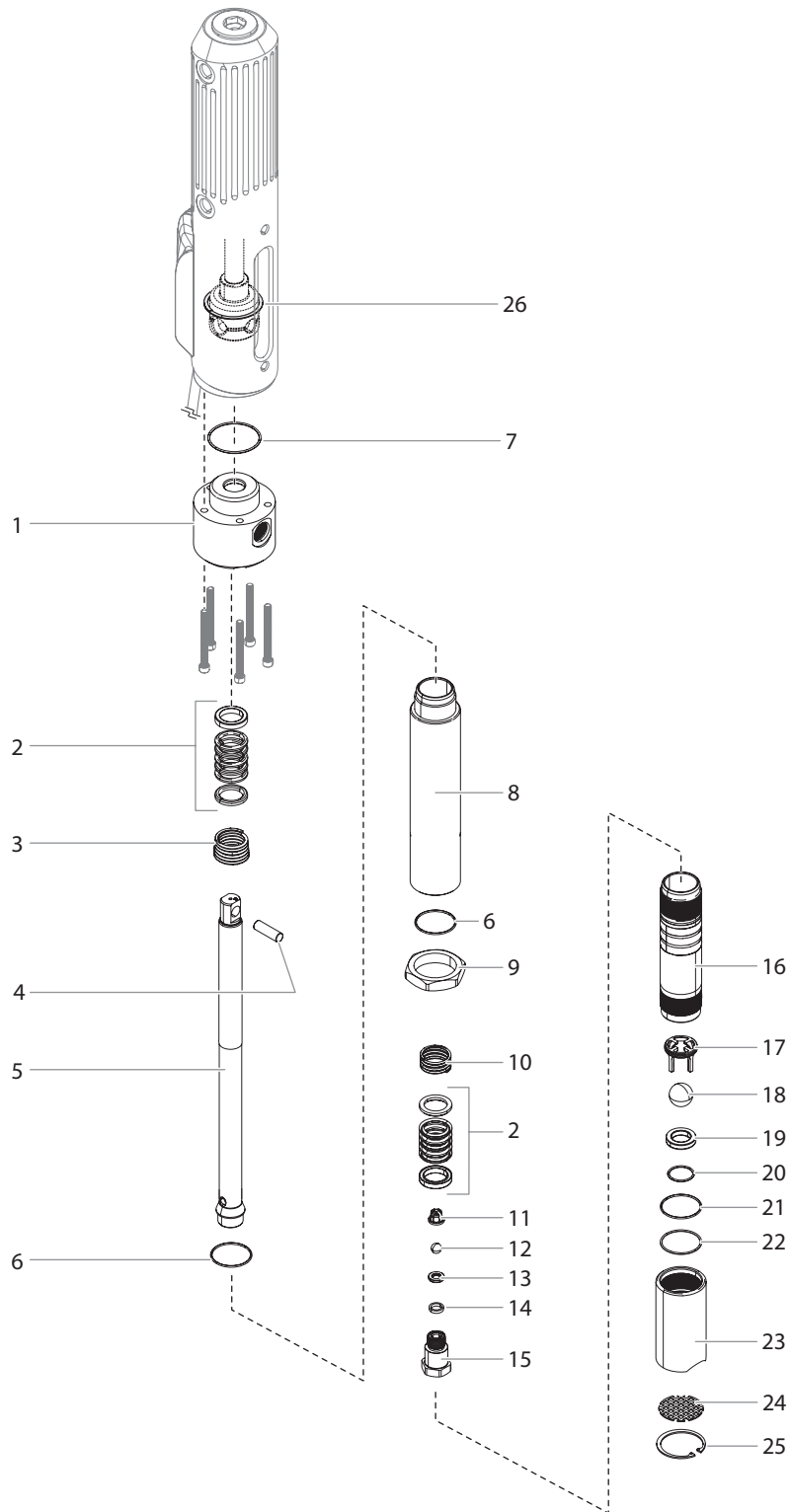
ILLUSTRATION DES PIÈCES DE RECHANGE

GB FLUID SECTION

D FLÜSSIGKEITSBEREICH

F SECTION DES LIQUIDES

PowrBeast 7700 / 9700 - P/N 537256



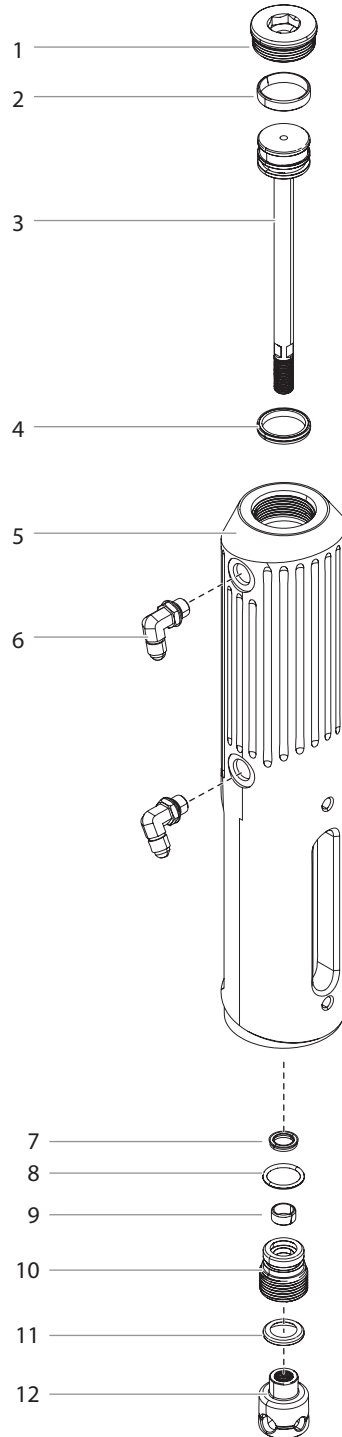
Pos.	7700 (230V)	7700 (Gas)	9700 (Gas)	Description	Benennung	Description
1	0537357A	0537357A	0537357A	Fluid section housing	Gehäuse Flüssigkeitsabschnitt	Logement de la section des liquides
2	138-153A	138-153A	138-153A	Packing set, leather/UHMWPE/steel (2)	Dichtungssatz, Leder/ Ultrahochmolekular-gewichtiges Polyethylen/Stahl (2)	Garniture, cuir/UHMWPE/acier (2)
3	142-004	142-004	142-004	Upper packing spring	Konusfeder	Ressort de garniture supérieure
4	143-120	143-120	143-120	Connecting pin	Verbindungsstift	Goupille de liaison
5	451-131A	451-131A	451-131A	Piston	Kolben	Piston
6	145-031	145-031	145-031	O-ring, PTFE (2)	O-ring, PTFE (2)	Joint torique, PTFE (2)
7	537433	537433	537433	O-ring	O-ring	Joint torique
8	451-032	451-032	451-032	Cylinder spacer	Zylinderabstands-halter	Entretoise du cylindre
9	528296	528296	528296	Lock ring	Seegerring	Bague de retenue
10	142-003	142-003	142-003	Lower packing spring	Druckfeder	Ressort de garniture inférieure
11	451-085	451-085	451-085	Outlet valve cage	Ablassventilkorb	Cage de soupape de sortie
12	509710	509710	509710	Outlet valve ball	Kugel	Bille
13	236-012	236-012	236-012	Outlet valve seat	Auslassventilsitz	Siège du clapet de refoulement
14	236-032	236-032	236-032	Seal washer	Scheibe	Rondelle
15	236-031A	236-031A	236-031A	Outlet valve housing	Auslassventilgehäuse	Corps du clapet de refoulement
16	144-832	144-832	144-832	Pump cylinder	Zylinder	Cylindre
17	236-141	236-141	236-141	Foot valve cage	Kugelführung	Guide de bille
18	509707	509707	509707	Foot valve ball	Kugel	Bille
19	509623	509623	509623	Foot valve seat	Einlassventilsitz	Siège
20	509708	509708	509708	Seat o-ring	Sitz o-ring	Siège du joint torique
21	140-009	140-009	140-009	O-ring	O-ring	Joint torique
22	145-031	145-031	145-031	O-ring, PTFE	O-ring, PTFE	Joint torique, PTFE
23	451-132	451-132	451-132	Foot valve housing	Einlassventilgehäuse	Logement du clapet de pied
24	451-018	451-018	451-018	Inlet screen	Eintrittsgitter	Écran d'entrée
25	431-054	431-054	431-054	Snap ring	Sicherungsring	Circlip
26	143-019	143-019	143-019	Retaining ring	Spiralring	Bague spiralée
	537908	537908	537908	Fluid section service kit, major (includes items 5, 16, and fluid section service kit, minor P/N 0537907)	Flüssigkeitsbereich Wartungssatz, gross (beinhaltet Teile 5, 16 und Flüssigkeitsbereich Wartungssatz, klein P/N 0537907)	Kit de maintenance de la section des liquides, principal (inclut les éléments 5, 16, et le kit de maintenance de la section des fluides, mineur, n° de pièce 0537907)
	537907	537907	537907	Fluid section service kit, minor (includes items 2, 6, 12, 14, 18, 20-22, 26, and Loctite P/N 426-051)	Flüssigkeitsbereich Wartungssatz, klein (beinhaltet Teile 2, 6, 12, 14, 18, 20-22, 26 und Loctite P/N 426-051)	Kit de maintenance de la section des liquides, mineur (inclut les éléments 2, 6, 12, 14, 18, 20-22, 26, et Loctite n° de pièce 426-051)
	451-133A	451-133A	451-133A	Foot valve assembly (includes items 17-25)	Einlassventilbaugruppe (beinhaltet Teile 17-25)	Clapet de pied (inclut les éléments 17-25)
	236-050	236-050	236-050	Outlet valve assembly (includes items 11-15)	Ablassventilbaugruppe (beinhaltet Teile 11-15)	Soupape de sortie (inclut les éléments 11-15)

ILLUSTRATION DES PIÈCES DE RECHANGE

GB HYDRAULIC MOTOR  
 F MOTEUR HYDRAULIQUE

D HYDRAULIKMOTORS

P/N 0537208A



<b>Pos.</b>	<b>4700 (120V)</b>	<b>4700 (Gas)</b>	<b>7700 (230V)</b>	<b>7700 (Gas)</b>	<b>9700 (Gas)</b>	Description	Benennung	Description
<b>1</b>	537436	537436	537436	537436	537436	Cylinder head plug	Zylinderkopfstöpsel	Fiche de la tête du cylindre
<b>2</b>	537435	537435	537435	537435	537435	Wear ring	Schleißring	Bague d'usure
<b>3</b>	0537347A	0537347A	0537347A	0537347A	0537347A	Hydraulic piston	Hydraulikkolben	Piston hydraulique
<b>4</b>	537434	537434	537434	537434	537434	Hydraulic piston seal	Hydraulische Kolben- dichtung	Joint d'étanchéité du piston hydraulique
<b>5</b>	0537775A	0537775A	0537775A	0537775A	0537775A	Cylinder head	Zylinderkopf	Tête du cylindre
<b>6</b>	192-051	192-051	192-051	192-051	192-051	Elbow (2)	Krümmner (2)	Coude (2)
<b>7</b>	537430	537430	537430	537430	537430	Cup seal	Profildichtung	Coupelle d'étanchéité
<b>8</b>	537429	537429	537429	537429	537429	O-ring	O-ring	Joint torique
<b>9</b>	537463	537463	537463	537463	537463	Wear ring	Schleißring	Bague d'usure
<b>10</b>	0537428A	0537428A	0537428A	0537428A	0537428A	Plug	Stecker	Fiche
<b>11</b>	0537361A	0537361A	0537361A	0537361A	0537361A	Magnet	Magnet	Aimant
<b>12</b>	0537348A	0537348A	0537348A	0537348A	0537348A	Piston coupler	Kolbenkoppler	Coupleur du piston
	0537210A	0537210A	0537210A	0537210A	0537210A	Plug assembly (includes items 7-10)	Steckerbaugruppe (einschl. Pos. 7-10)	Ensemble de la fiche (includ les articles 7 à 10)

## ILLUSTRATION DES PIÈCES DE RECHANGE

GB HIGH PRESSURE FILTER

F FILTRE À HAUTE PRESSION

D HOCHDRUCKFILTER

## FILTER ASSEMBLY SPECIFICATIONS

**Maximum Working Pressure:** 5000 psi (34.5 MPa)**Filter Area:** 18 ln<sup>2</sup> (116 cm<sup>2</sup>)**Outlet Ports:**

- (1) 1/4" NPT(F) for bleed valve
- (1) 3/8" NPT(F) with 1/4 NPSM(M) hose connection
- (2) 3/8" NPT(F) plugged for additional gun hookup.

**Wetted Parts:**

Carbon steel with electroless nickel and cadmium plating, stainless steel, tungsten carbide, PTFE

## SPEZIFIKATIONEN

**Maximaler Arbeitsdruck:** 34,5 MPa (5000 psi)**Filterbereich:** 116 cm<sup>2</sup> (18 ln<sup>2</sup>)**Ablässöffnungen:**

- (1) 1/4" NPT(F) für das Ablassventil
- (1) 3/8" NPT(F) mit 1/4 NPSM(M) Schlauchverbindung
- (2) 3/8" NPT(F) verschlossen, für zusätzliche Spritzpistolenanschluss.

**Nasteile:**

Stromloser vernickelter unlegierter Kohlenstoffstahl, Edelstahl, Wolframcarbid, PTFE

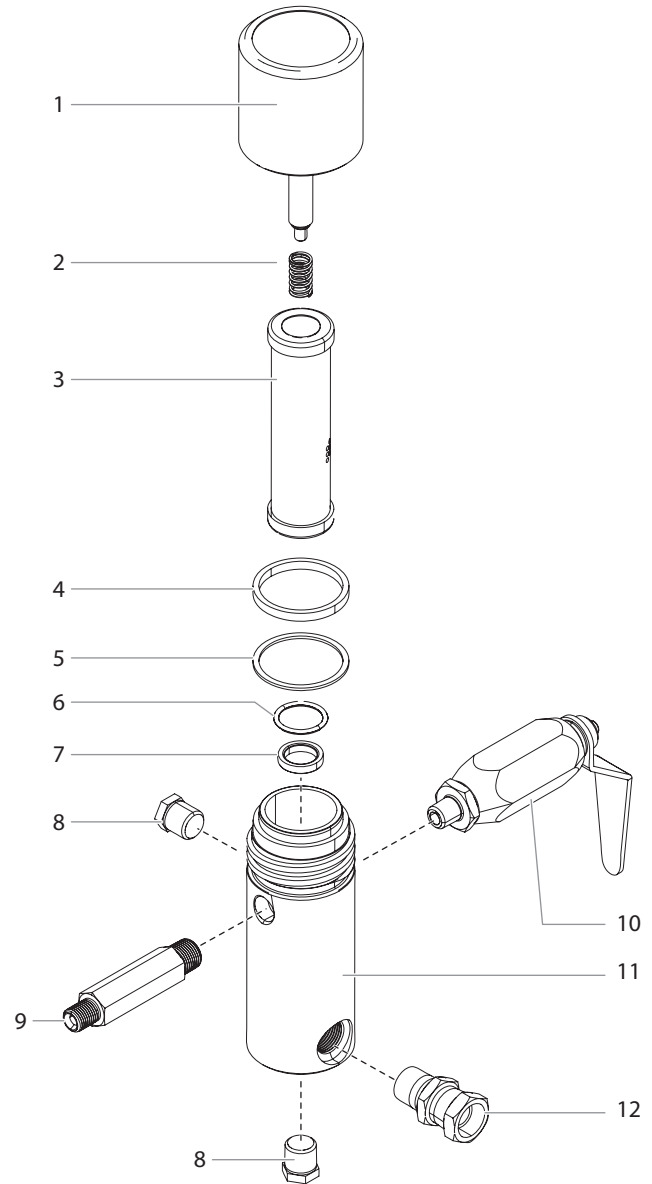
## CARACTÉRISTIQUES

**Pression de travail maximale :** 34,5 MPa (5000 psi)**Surface du filtre :** 116 cm<sup>2</sup> (18 ln<sup>2</sup>)**Orifices de sortie :**

- (1) 1/4" NPT(F) pour la soupape de décharge
- (1) 3/8" NPT(F) avec raccord de tuyau 1/4 NPSM(M)
- (2) 3/8" NPT(F) branché pour la connexion d'un pistolet supplémentaire.

**Pièces mouillées :**

Acier au carbone avec revêtement de nickel et cadmium autocatalytiques, acier inoxydable, carbure de tungstène, PTFE.





Pos.	4700 (120V)	4700 (Gas)	7700 (230V)	7700 (Gas)	9700 (Gas)	Description	Benennung	Description
1	0290443A	0290443A	0290443A	0290443A	0290443A	Filter cap assembly	Gehäusedeckel	Couvercle du corps
2	930-020	930-020	930-020	930-020	930-020	Spring	Druckfeder	Ressort
3	930-006	930-006	930-006	930-006	930-006*	Filter element, 50 M, with ball	Filterpatrone, 50 Maschen, mit Kugel	Cartouche de filtre 50 mailles, avec bille
	-----	-----	930-005*	930-005*	930-005	Filter element, 5 M, with ball	Filterpatrone, 5 Maschen, mit Kugel	Cartouche de filtre 5 mailles, avec bille
	-----	-----	930-007*	930-007*	930-007*	Filter element, 100 M, with ball	Filterpatrone, 100 Maschen, mit Kugel	Cartouche de filtre 100 mailles, avec bille
4	920-006	920-006	920-006	920-006	920-006	Gasket, PTFE (thick)	Dichtung dick	Joint épais
5	920-070	920-070	920-070	920-070	920-070	Gasket, PTFE (thin)	Dichtung dünn	Joint mince
6	891-193	891-193	891-193	891-193	891-193	O-ring, PTFE	O-Ring	Joint torique, PTFE
7	180-909	180-909	180-909	180-909	180-909	Seat, tungsten carbide	Ventilsitz	Siège de soupape
8	227-033	227-033	227-033	227-033	227-033	Pipe plug (2)	Verschlusschraube (2)	Vis bouchon (2)
9	191-324	191-324	191-324	191-324	191-324	Hex fitting, 1/4" (included in Lit. set)	Sechskantschraube, 1/4" (einschließlich Handbuch und Kleinteile)	Raccord hexagonal, 0,6 cm (inclus dans la documentation)
	-----	-----	808-550	808-550	808-550	Hex fitting, 3/8" (included in Lit. set)	Sechskantschraube, 3/8" (einschließlich Handbuch und Kleinteile)	Raccord hexagonal, 0,9 cm (inclus dans la documentation)
10**	944-030A	944-030A	944-030A	944-030A	944-030A	Bleed valve	Ablassventil-baugruppe	Assemblage de la soupape de décharge
11	0537454A	0537454A	0537454A	0537454A	0537454A	Filter body	Gehäuse	Corps
12	537455	537455	537455	537455	537455	Fitting	Anschluss	Raccord
	930-050	930-050	930-050	930-050	930-050	Filter service kit (includes items 2 and 4-6)	Filterwartungssatz (beinhaltet Teile 2 und 4-6)	Kit d'entretien du filtre (inclut les éléments 2 et 4-6)

\* Optional / Optional / Facultatif

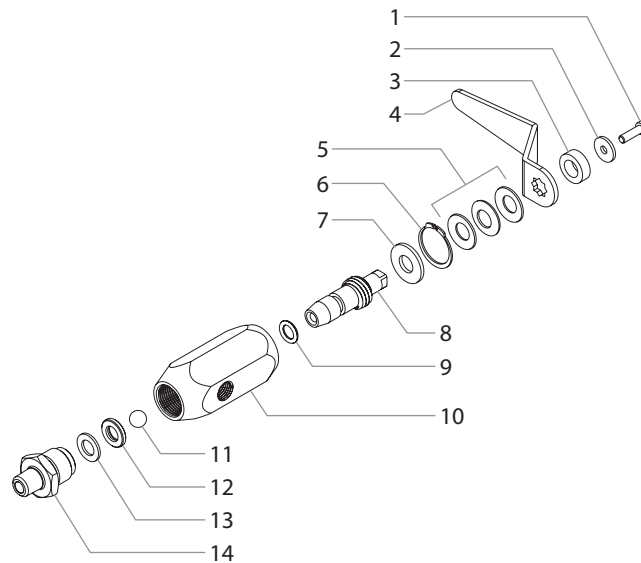
\*\* See separate listing / Siehe separate Auflistung / voir la liste de pièces distincte

ILLUSTRATION DES PIÈCES DE RECHANGE

GB BLEED VALVE ASSEMBLY

D ABLASSSCHLAUCHBAUGRUPPE

F ASSEMBLAGE DE LA SOUPAPE DE DÉCHARGE

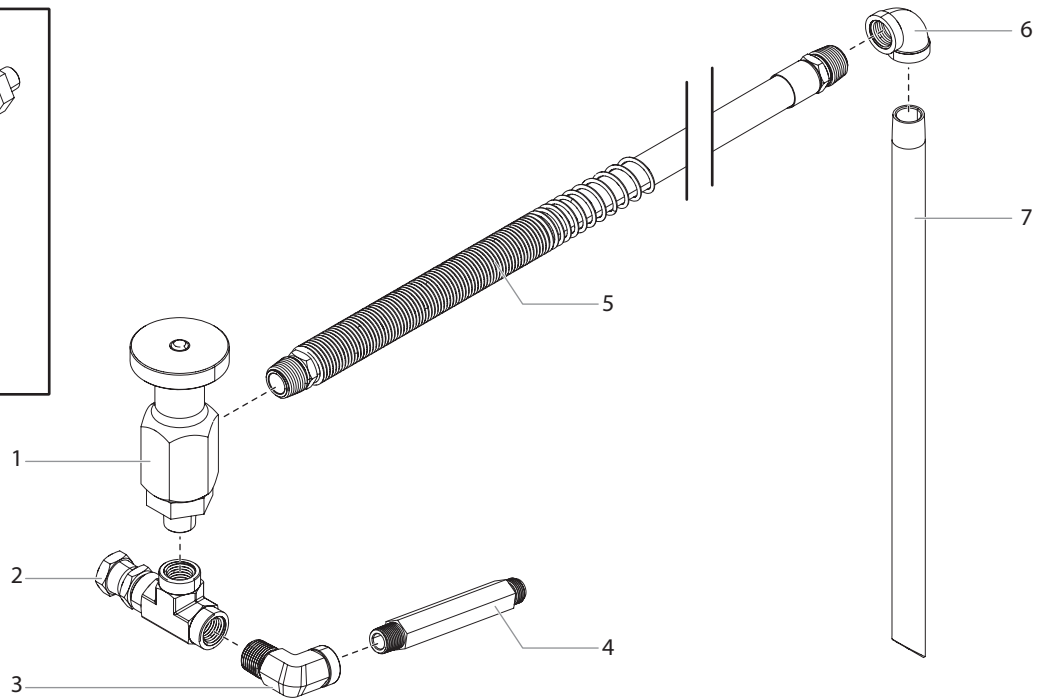
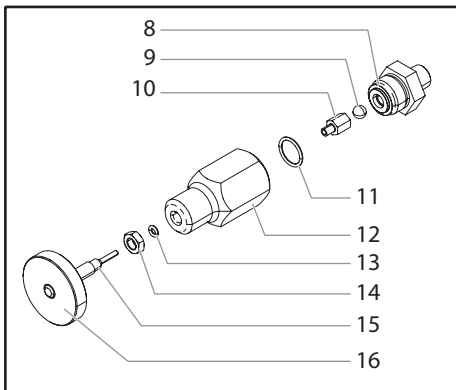


Pos.	4700 (120V)	4700 (Gas)	7700 (230V)	7700 (Gas)	9700 (Gas)	Description	Benennung	Description
1	944-047	944-047	944-047	944-047	944-047	Hex screw	Sechskantschraube	Vis hexagonale
2	944-029	944-029	944-029	944-029	944-029	Flat washer	Schiebe	Rondelle
3	295731	295731	295731	295731	295731	Spacer	Abstandhalter	Entretoise
4	295730	295730	295730	295730	295730	Valve handle	Ventilgriff	Poignée de la soupape
5	9820905	9820905	9820905	9820905	9820905	Spring washer (3)	Federscheibe (3)	Rondelle de ressort (3)
6	9822516	9822516	9822516	9822516	9822516	Retaining ring	Haltering	Bague de retenue
7	294501	294501	294501	294501	294501	Valve washer	Ventilunterlags-scheibe	Rondelle de soupape
8	944-011	944-011	944-011	944-011	944-011	Valve stem	Ventilschaltspindel	Tige de soupape
9	9871045	9871045	9871045	9871045	9871045	Stem O-ring	Schaltspindel O-Ring	Joint torique de la tige
10	944-009	944-009	944-009	944-009	944-009	Valve housing	Ventilgehäuse	Logement de la soupape
11	9841502	9841502	9841502	9841502	9841502	Ball	Kugel	Bille
12	294516	294516	294516	294516	294516	Valve seat	Ventilsitz	Siège de la soupape
13	294499	294499	294499	294499	294499	Valve seal	Ventildichtung	Joint de la soupape
14	944-013	944-013	944-013	944-013	944-013	Valve seat retainer	Ventilsitzhalter	Dispositif de retenue du siège de la soupape

**ILLUSTRATION DES PIÈCES DE RECHANGE**

**GB BLEED VALVE ASSEMBLY, HEAVY MATERIALS**  
**F ASSEMBLAGE DE LA SOUPAPE DE DÉCHARGE, REVÊTEMENTS ÉPAIS**

**D ABLASSVENTILBAUGRUPPE, SCHWERE ANSTRICHEN**



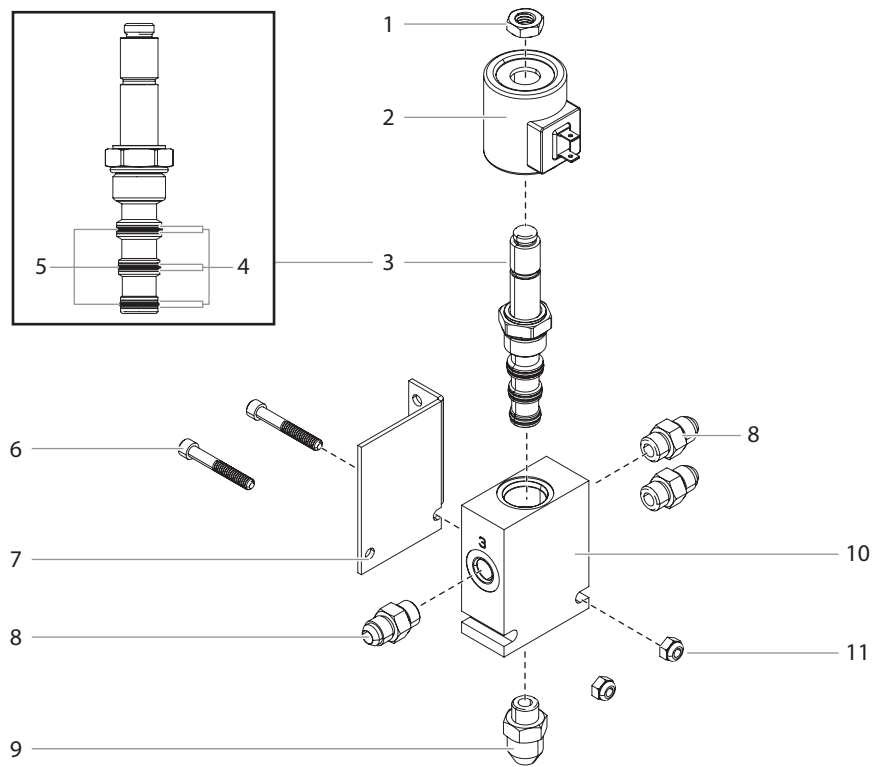
Pos.	PowrBeast 4700T	Description	Benennung	Description
1	945-600A	Bleed valve (includes items 8-16)	Ablassventil (beinhaltet Teile 8-16)	Vanne de purge (inclut les éléments 8 à 16)
2	817-003	Fitting, tee	T-Verschraubung	Raccord, té
3	537500	Elbow, 90°	Winkelstück, 90°	Coude, 90°
4	537499	Outlet fitting	Ablaufgarnitur	Raccord de sortie
5	538-031	Bleed hose	Entlüftungsschlauch	Tuyau de purge
6	201-555	Elbow, 90°	Winkelstück, 90°	Coude, 90°
7	103-317	Tube	Rohr	Tube
8	945-906	Valve seat retainer	Ventilsitzhalter	Dispositif de retenue du siège de la soupape
9	138-226	Ball	Kugel	Bille
10	945-026	Nut	Mutter	Écrou
11	891-183	O-ring, PTFE	O-ring, PTFE	Joint torique, PTFE
12	945-022	Valve housing	Ventilgehäuse	Logement de la soupape
13	891-073	O-ring, PTFE	O-ring, PTFE	Joint torique, PTFE
14	970-011	Locknut	Stellmutter	Écrou d'arrêt
15	945-023	Valve stem	Ventilschaltspindel	Tige de soupape
16	945-005	Knob	Knopf	Bouton

ILLUSTRATION DES PIÈCES DE RECHANGE

GB SOLENOID ASSEMBLY

D MAGNETBAUSATZ

F ENSEMBLE DE SOLÉNOÏDE



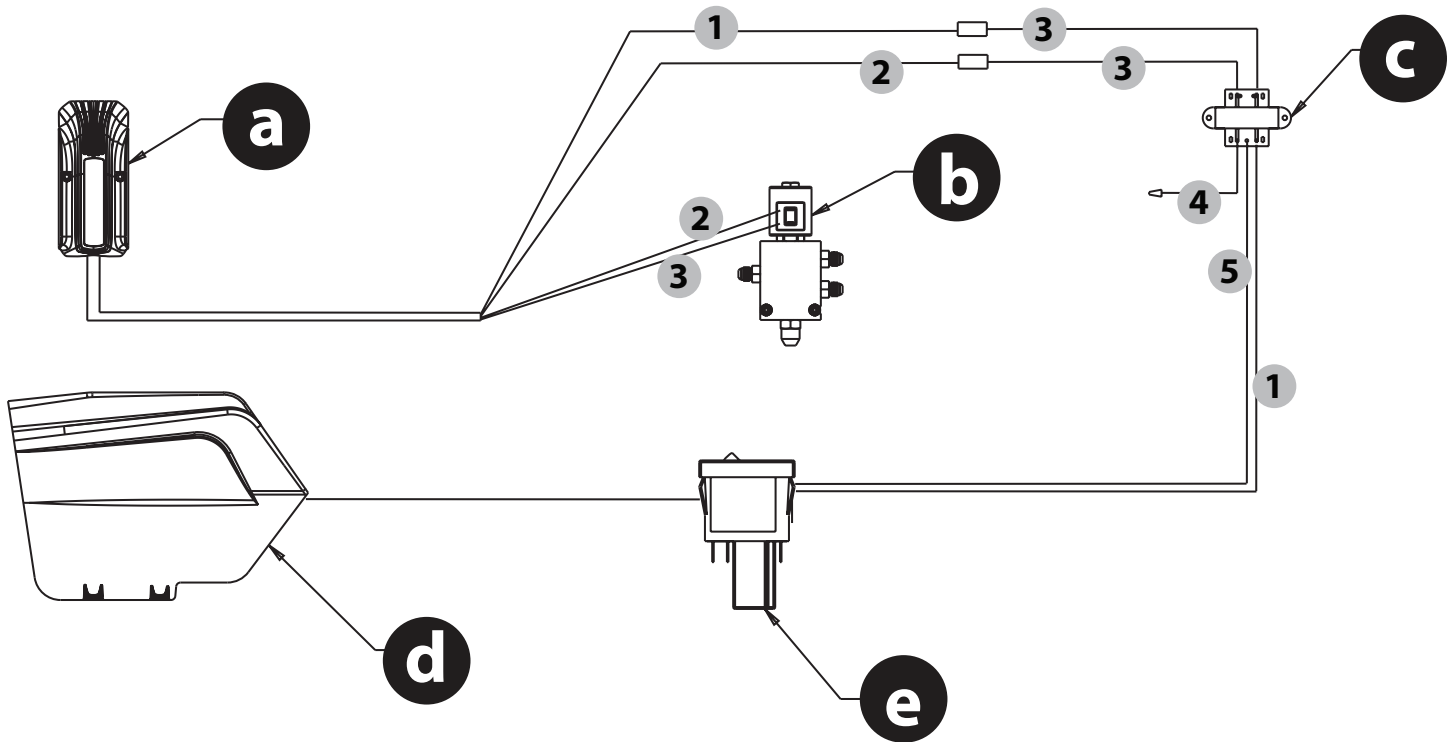
<b>Pos.</b>	<b>4700 (120V)</b>	<b>4700 (Gas)</b>	<b>7700 (230V)</b>	<b>7700 (Gas)</b>	<b>9700 (Gas)</b>	Description	Benennung	Description
<b>1</b>	537909	537909	537909	537909	537909	Nut	Mutter	Écrou
<b>2</b>	537910	537910	537910	537910	537910	Coil	Kühlschlange	Bobine
<b>3</b>	-----	-----	-----	-----	-----	Spool / sleeve assembly (includes items 4-5)	Spulen- / Hülsenbausatz (enthält Pos. 4-5)	Ensemble de bobine / douille (inclut les articles 4 et 5)
<b>4</b>	-----	-----	-----	-----	-----	Backup ring (6)	Stützring (6)	Bague d'appui (6)
<b>5</b>	537913	537913	537913	537913	537913	O-ring kit (includes item 4)	O-Ring-Satz (enthält Pos. 4)	Trousse de joint torique (inclut l'article 4)
<b>6</b>	9805479	9805479	9805479	9805479	9805479	Screw (2)	Schraube (2)	Vis (2)
<b>7</b>	537424	537424	537424	537424	537424	Mounting plate	Befestigungsplatte	Plaque de montage
<b>8</b>	537370	537370	537370	537370	537370	Fitting (3)	Beschläge (3)	Raccord (3)
<b>9</b>	537427	537427	537427	537427	537427	Fitting	Beschläge	Raccord
<b>10</b>	537915	537915	537915	537915	537915	Solenoid block	Magnetventile	Groupe de solénoïde
<b>11</b>	770-144	770-144	770-144	770-144	770-144	Nut (2)	Mutter (2)	Écrou (2)

ILLUSTRATION DES PIÈCES DE RECHANGE

GB CONNECTION DIAGRAM (120V)

D SCHALTPLAN (120V)

F SCHÉMA ÉLECTRIQUE (120V)



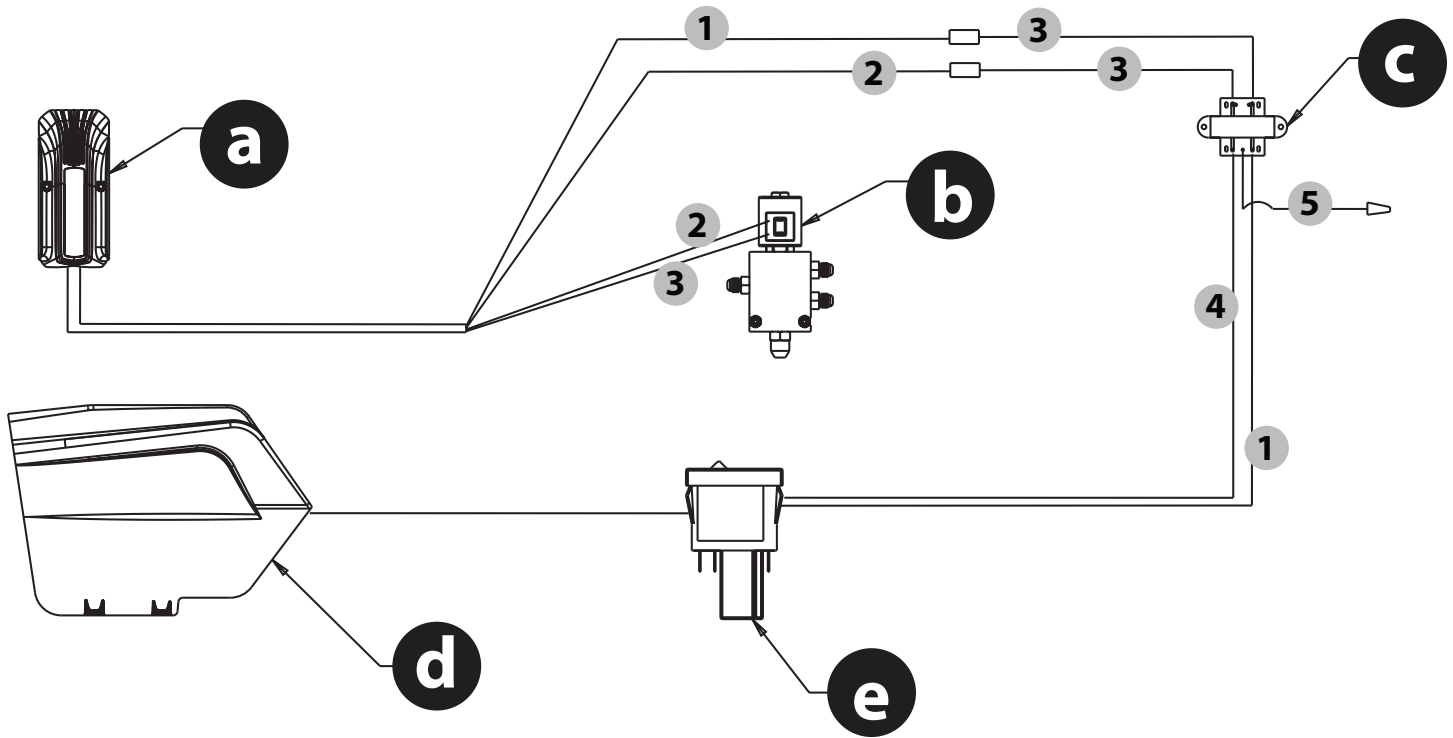
Wiring	Verkabelung	Câbles
1	Black	Schwarz Noir
2	Red	Rot Rouge
3	Yellow	Gelb Jaune
4	Orange	Orange Orange
5	White	Wei Blanc
6	Brown	Braun Brun

Notes	Hinweise	Remarques
a	Sensor board cover	Abdeckung Sensorplatte Housse du capteur
b	Solenoid	Hubmagnet Solnode
c	Transformer	Trafo Transformateur
d	Electric motor shroud	Abdeckung Elektromotor Carnage du moteur lectrique
e	Motor switch	EIN/AUS-Schalter Interrupteur MARCHÉ/ARRET

**GB CONNECTION DIAGRAM (230V)**

**D SCHALTPLAN (230V)**

**F SCHÉMA ÉLECTRIQUE (230V)**



Wiring	Verkabelung	Câbles	
1	Black	Schwarz	Noir
2	Red	Rot	Rouge
3	Yellow	Gelb	Jaune
4	Orange	Orange	Orange
5	White	Weiß	Blanc
6	Brown	Braun	Brun

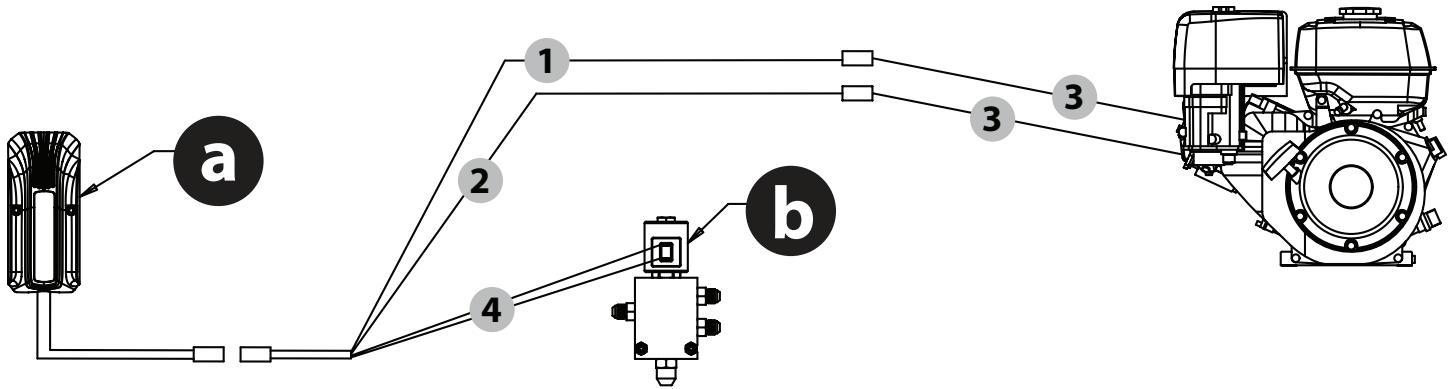
Notes	Hinweise	Remarques	
a	Sensor board cover	Abdeckung Sensorplatte	Housse du capteur
b	Solenoid	Hubmagnet	Solénoïde
c	Transformer	Trafo	Transformateur
d	Electric motor shroud	Abdeckung Elektromotor	Carénage du moteur électrique
e	Motor switch	EIN/AUS-Schalter	Interrupteur MARCHE/ARRET

ILLUSTRATION DES PIÈCES DE RECHANGE

GB CONNECTION DIAGRAM (GAS ENGINE)

D SCHALTPLAN (BENZINMOTOR)

F SCHÉMA ÉLECTRIQUE (MOTEUR À ESSENCE)



Wiring	Verkabelung	Câbles	
1	Black	Schwarz	Noir
2	White	Weiß	Blanc
3	Gray	Grau	Gris
4	Blue	Blau	Bleu

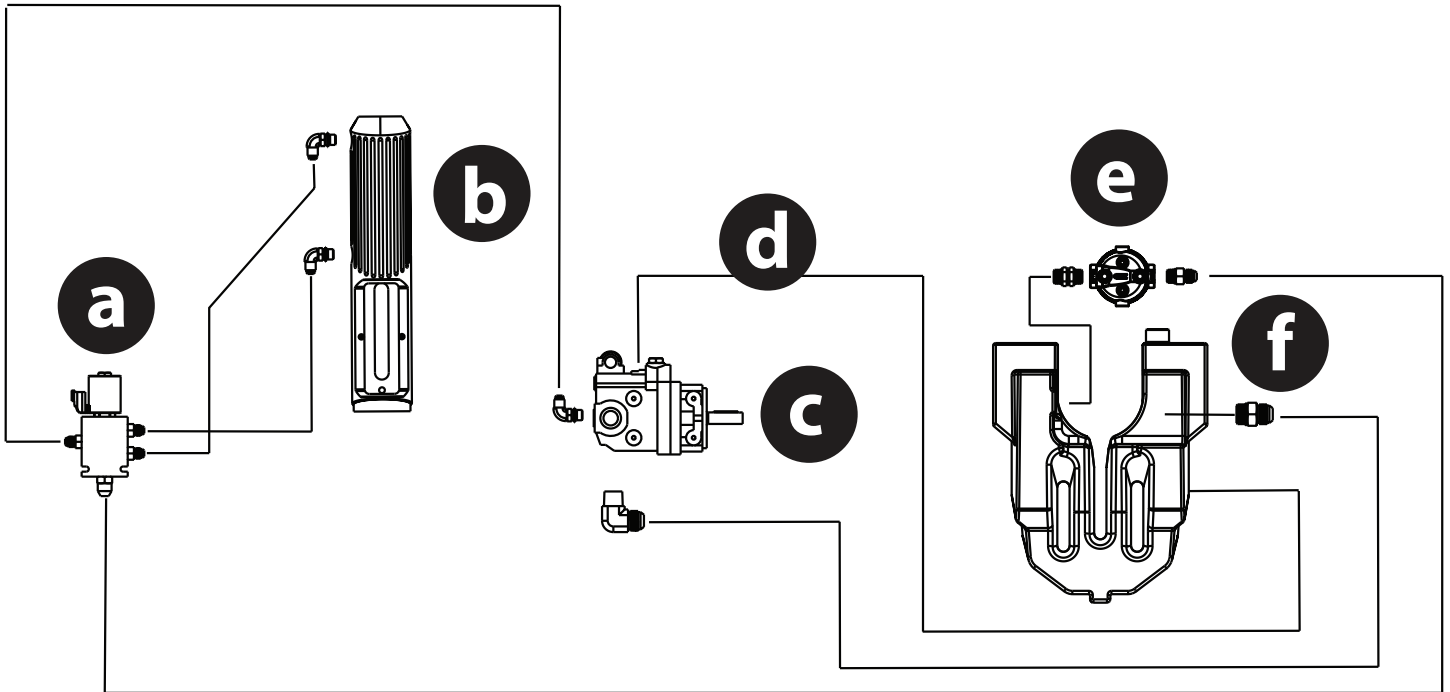
Notes	Hinweise	Remarques	
a	Sensor board cover	Abdeckung Sensorplatine	Housse du capteur
b	Solenoid	Hubmagnet	Solénoïde



**GB    HYDRAULIC DIAGRAM**

**D    HYDRAULIKSCHEMA**

**F    DIAGRAMME HYDRAULIQUE**



Notes		Hinweise	Remarques
<b>a</b>	Solenoid	Hubmagnet	Solénoïde
<b>b</b>	Hydraulic motor pump	Hydraulische Motorpumpe	Pompe du moteur hydraulique
<b>c</b>	Hydraulic pump	Hydraulikpumpe	Pompe hydraulique
<b>d</b>	Vent	Belüftung	Orifice de ventilation
<b>e</b>	Remote filter mount	Remote-Filterhalter	Monture du filtre à distance
<b>f</b>	Hydraulic tank	Hydrauliktank	Réservoir de fluide hydraulique

**GB ACCESSORIES**  
**F ACCESSOIRES**

**D ZUBEHÖR**

PART NO.	DESCRIPTION	BENENNUNG	DESCRIPTION
<b>SPRAY GUNS</b>		<b>SPRITZPISTOLEN</b>	<b>PISTOLETS DE PULVÉRISATION</b>
538005	RX-80™ 4 finger with 517 Tip	RX-80™ 4-finger mit Düse 517	RX-80™ 4 doigts avec buse 517
538020	RX-Pro® with 517 Tip	RX-Pro® mit Düse 517	RX-Pro® avec buse 517
550060	S-3 with 517 Tip	S-3 mit Düse 517	S-3 avec buse 517
538075	RX-Apex™ (filter) with 517 Tip	RX-Apex™ (Filter) mit Düse 517	RX-Apex™ (filtre) avec buse 517
538070	RX-Apex™ (no filter) with 517 Tip	RX-Apex™ (kein Filter) mit Düse 517	RX-Apex™ (sans filtre) avec buse 517
289013	M-4 spray gun	Spritzpistole M-4	Pistolet de pulvérisation M-4
538217	RX-Pro®, small grip	RX-Pro®, kleiner Griff	RX-Pro®, petite poignée
538218	RX-Pro®, medium grip	RX-Pro®, mittelgroßer Griff	RX-Pro®, moyenne poignée
538219	RX-Pro®, large grip	RX-Pro®, großer Griff	RX-Pro®, grande poignée
<b>MULTI-SPRAY GUN MANIFOLDS</b>		<b>COLLECTEURS À PLUSIEURS PISTOLETS</b>	<b>COLLECTEURS À PLUSIEURS PISTOLETS</b>
975-212	2-Gun Manifold with Ball Valves, 1/4"	2-Pistolen-Verteiler mit Kugelhähnen, 1/4"	Collecteur à deux pistolets avec soupapes à bille, 0,6 cm
975-312	2-Gun Manifold with Ball Valves, 3/8"	2-Pistolen-Verteiler mit Kugelhähnen, 3/8"	Collecteur à deux pistolets avec soupapes à bille, 1 cm
975-313	3-Gun Manifold with Ball Valves, 3/8"	3-Pistolen-Verteiler mit Kugelhähnen, 3/8"	Collecteur à trois pistolets avec soupapes à bille, 1 cm
<b>SPRAY TIPS AND ACCESSORIES</b>		<b>SPRITZDÜSEN UND ZUBEHÖR</b>	<b>BUSES D'AIR ET ACCESSOIRES</b>
662-XXX	SC-6+ Tip*	SC-6+ Düse*	Buse SC-6+*
330-XXX	HEA Tip*	HEA Düse *	HEA TR-2*
671-XXX	Fine Finish Tip*	Fine Finish Tip* (Veredelungsdüse)*	Buse Fine Finish*
0289228A	No Build Tip Guard	No Build Tip Guard (Düsenschutz vor Verstopfung)	Protecteur de buse sans accumulation
538029	Tip Swivel	Drehgelenk Düse	Pivot de buse
661-020	Tip seat and seal kit (5 pack)	Düsensitz und Dichtungssatz (5-er Pack)	Siège de buse et trousse d'étanchéité (ens. de 5)
<b>FILTERS</b>		<b>FILTER</b>	<b>FILTRES</b>
89957	Coarse Mesh Filter (Green)	Grobmaschiges Filter (grün)	Filtre de maille grossier (vert)
0089958B	Medium Mesh Filter (White)	Filter mit mittlerer Maschenstärke (weiß)	Filtre de maille moyen (blanc)
0089959A	Fine Mesh Filter (Yellow)	Feinfilter (gelb)	Filtre de maille fin (jaune)
89960	Extra Fine Mesh Filter (Red)	Filter mit extrafeiner Maschenstärke (rot)	Filtre de maille extra-fin (rouge)
930-004	Paint Filter Element, 0 Mesh (for mastics)	Farbfilterelement, 0 Masche (für Kitte)	Élément filtrant, 0 mesh (pour les mastics)
930-005	Paint Filter Element, 5 Mesh (for multicolors and heavy materials)	Farbfilterelement, 5 Maschen (für mehrere Farben und schwere Materialien)	Élément filtrant, 5 mesh (pour les produits multicolores et les produits lourds)
930-006	Paint Filter Element, 50 Mesh (for latex and normal architectural materials)	Farbfilterelement, 50 Maschen (für Latex und normale Architekturmaterialien)	Élément filtrant, 50 mesh (pour les peintures au latex et les produits d'architecture normaux)
930-007	Paint Filter Elements, 100 Mesh (for stains, lacquers and fine materials)	Farbfilterelement, 100 Maschen (für Flecken, Lacke und edle Materialien)	Élément filtrant, 100 mesh (pour les teintures, les laques et les produits fins)

<b>PART NO.</b>	<b>DESCRIPTION</b>	<b>BENENNUNG</b>	<b>DESCRIPTION</b>
<b>EXTENSIONS</b>		<b>VERLÄNGERUNGEN</b>	<b>RALLONGES</b>
2418848	5" Tip Extension	Düsenverlängerung 12,7 cm	Rallonge de buse de 12,7 cm
2418850	10" Tip Extension	Düsenverlängerung 25,4 cm	Rallonge de buse de 25,4 cm
2418851	20" Tip Extension	Düsenverlängerung 50,1 cm	Rallonge de buse de 50,1 cm
2418852	30" Tip Extension	Düsenverlängerung 76,2 cm	Rallonge de buse de 76,2 cm
2418836	5" Bulk Tip Extension	Bulk-Düsenverlängerung 12,7 cm	Rallonge de buse de 12,7 cm, en gros
2418839	10" Bulk Tip Extension	Bulk-Düsenverlängerung 25,4 cm	Rallonge de buse de 25,4 cm, en gros
2418840	20" Bulk Tip Extension	Bulk-Düsenverlängerung 50,1 cm	Rallonge de buse de 50,1 cm, en gros
2418841	30" Bulk Tip Extension	Bulk-Düsenverlängerung 76,2 cm	Rallonge de buse de 76,2 cm, en gros
2418862	3' Extension Pole with swivel	Verlängerungsstange mit Drehgelenk 1m	Tige rallonge avec émerillon de 1 mètre
2418863	6' Extension Pole with swivel	Verlängerungsstange mit Drehgelenk 3m	Tige rallonge avec émerillon de 2 mètres
<b>AIRLESS HOSE AND ACCESSORIES</b>		<b>AIRLESS SCHLAUCH UND ZUBEHÖR</b>	<b>TOYAU SANS AIR ET ACCESSOIRES</b>
316-505	1/4" x 50' Airless Hose	Airless Schlauch 1/4" x 50'	Tuyau sans air de 0,6 cm x 15 m
291006	3/8" x 50' Airless Hose	Airless Schlauch 3/8" x 50'	Tuyau sans air de 0,9 cm x 15 m
316-506	3/16" x 5' Whip Hose	Schlauchpeitsche 3/16" x 5'	Raccord de tuyau de 0,6 cm x 0,6 cm
0550063A	1/4" x 1/4" hose connector	Schlauchanschluss 1/4" x 1/4"	Raccord de tuyau de 0,6 cm x 0,6 cm
0550064A	1/4" x 3/8" hose connector	Schlauchanschluss 1/4" x 3/8"	Raccord de tuyau de 0,6 cm x 0,9 cm
550066	3/8" x 3/8" hose connector	Schlauchanschluss 3/8" x 3/8"	Raccord de tuyau de 0,9 cm x 0,9 cm
508239	High Pressure Fluid Gauge	Manometer für Hochdruckflüssigkeiten	Jauge de liquide à haute pression
2404445	Inner Feed Roller™	Inner Feed Roller™	Inner Feed Roller™
2404013	Sprayroller™ with 3' pole	Sprayroller™ mit Verlängerungsstange 3'	Sprayroller™ avec tige rallonge de 1 mètre
<b>LUBRICANTS AND CLEANERS</b>		<b>SCHMIER- UND REINIGUNGSMITTEL</b>	<b>LUBRIFIANTS ET NETTOYANTS</b>
314-482	Liquid Shield™, 1 Quart	Liquid Shield™, 1 Quart	Liquid Shield™, 946 ml
314-480	Piston Lube™, 8 oz	Piston Lube™, 8 Unze	Piston Lube™, 240 ml
700-926	Piston Lube™, 1 Quart	Piston Lube™, 1 Quart	Piston Lube™, 946 ml
508071	Paint Mate, 1 Quart	Paint Mate, 1 Quart	Paint Mate, 946 ml
*	Go to <a href="http://www.titantool.com">www.titantool.com</a> for tip sizes	Besuchen Sie <a href="http://www.titantool.com">www.titantool.com</a> für Spitzengrößen	Visitez <a href="http://www.titantool.com">www.titantool.com</a> pour la pointe des buse de pulvérisation

<b>GB</b>	<p><b>EU Declaration of conformity</b></p> <p>We declare under sole responsibility that this product conforms to the following relevant stipulations: 2006/42/EC, 2014/30/EU, 2011/65/EU, 2012/19/EU Applied harmonised norms: EN ISO 12100, EN 1953, EN 60204-1, EN 61000-3-2, EN 61000-3-3, EN 61000-6-1, EN 61000-6-3</p> <p>The EU declaration of conformity is enclosed with the product. If required, it can be re-ordered using order number <b>2398396</b>.</p>
<b>D</b>	<p><b>EU Konformitätserklärung</b></p> <p>Wir erklären in alleiniger Verantwortung, dass dieses Produkt den folgenden einschlägigen Bestimmungen entspricht: 2006/42/EG, 2014/30/EU, 2011/65/EU, 2012/19/EU Angewandte harmonisierte Normen: EN ISO 12100, EN 1953, EN 60204-1, EN 61000-3-2, EN 61000-3-3, EN 61000-6-1, EN 61000-6-3</p> <p>Die EU Konformitätserklärung liegt dem Produkt bei. Sie kann bei Bedarf mit der Bestellnummer <b>2398396</b> nachbestellt werden.</p>
<b>F</b>	<p><b>Déclaration de conformité UE</b></p> <p>Nous déclarons sous notre responsabilité que ce produit est en conformité avec les réglementations suivantes: 2006/42/CE, 2014/30/UE, 2011/65/UE, 2012/19/UE Conforme aux normes et documents normalisés: EN ISO 12100, EN 1953, EN 60204-1, EN 61000-3-2, EN 61000-3-3, EN 61000-6-1, EN 61000-6-3</p> <p>La déclaration de conformité UE est jointe à ce produit. Elle peut être commandée au besoin sous le numéro de commande <b>2398396</b>.</p>
<b>I</b>	<p><b>Dichiarazione di conformità UE</b></p> <p>Dichiariamo sotto la nostra esclusiva responsabilità, che il presente prodotto corrisponde alle relative disposizioni seguenti: 2006/42/CE, 2014/30/UE, 2011/65/UE, 2012/19/UE Norme armonizzate: EN ISO 12100, EN 1953, EN 60204-1, EN 61000-3-2, EN 61000-3-3, EN 61000-6-1, EN 61000-6-3</p> <p>La dichiarazione di conformità UE è allegata al prodotto. Se necessario, può esserne richiesta una copia con il numero d'ordine <b>2398396</b>.</p>
<b>E</b>	<p><b>Declaración UE de conformidad</b></p> <p>Mediante la presente garantizamos, bajo nuestra exclusiva responsabilidad, que este producto cumple con las correspondientes disposiciones: 2006/42/CE, 2014/30/UE, 2011/65/UE, 2012/19/UE Normas armonizadas aplicadas: EN ISO 12100, EN 1953, EN 60204-1, EN 61000-3-2, EN 61000-3-3, EN 61000-6-1, EN 61000-6-3</p> <p>El producto viene acompañado de la declaración UE de conformidad. Si lo necesita, puede pedirla adicionalmente por el número de pedido <b>2398396</b>.</p>
<b>NL</b>	<p><b>EU-conformiteitsverklaring</b></p> <p>Wij verklaren dat dit product voldoet aan de volgende normen: 2006/42/EG, 2014/30/EU, 2011/65/EU, 2012/19/EU En normatieve documenten: EN ISO 12100, EN 1953, EN 60204-1, EN 61000-3-2, EN 61000-3-3, EN 61000-6-1, EN 61000-6-3</p> <p>De EU-conformiteitsverklaring wordt met het product meegeleverd. Indien nodig kan de verklaring met bestelnummer <b>2398396</b> worden nabesteld.</p>

DK	<p><b>EU Overensstemmelseserklæring</b></p> <p>Vi erklærer under almindeligt ansvar, at dette produkt er i overensstemmelse med følgende bestemmelser: 2006/42/EF, 2014/30/EU, 2011/65/EU, 2012/19/EU</p> <p>Anvendte harmoniserede normer: EN ISO 12100, EN 1953, EN 60204-1, EN 61000-3-2, EN 61000-3-3, EN 61000-6-1, EN 61000-6-3</p> <p>EU Overensstemmelseserklæringen er vedlagt produktet. Om nødvendigt kan den efterbestilles med bestillingsnummer <b>2398396</b>.</p>
S	<p><b>EU Konformitetsförklaring</b></p> <p>Vi intygar och ansvarar för, att denna produkt överensstämmer med följande norm och dokument: 2006/42/EG, 2014/30/EU, 2011/65/EU, 2012/19/EU</p> <p>Använta harmoniserade normer: EN ISO 12100, EN 1953, EN 60204-1, EN 61000-3-2, EN 61000-3-3, EN 61000-6-1, EN 61000-6-3</p> <p>EU-konformitetsförklaringen medföljer produkten. Den kan vid behov beställas genom ordernummer <b>2398396</b>.</p>
P	<p><b>Declaração de Conformidade UE</b></p> <p>Pela presente garantimos, sob a nossa exclusiva responsabilidade, que este produto cumpre com as correspondentes disposições: 2006/42/CE, 2014/30/UE, 2011/65/UE, 2012/19/UE</p> <p>Normas harmonizadas aplicadas: EN ISO 12100, EN 1953, EN 60204-1, EN 61000-3-2, EN 61000-3-3, EN 61000-6-1, EN 61000-6-3</p> <p>A Declaração de Conformidade EU é fornecida juntamente com o produto. Se necessário, pode ser pedido novo exemplar desta declaração com o número de encomenda <b>2398396</b>.</p>

## WARRANTY

---

Titan Tool, Inc., (“Titan”) warrants that at the time of delivery to the original purchaser for use (“End User”), the equipment covered by this warranty is free from defects in material and workmanship. With the exception of any special, limited, or extended warranty published by Titan, Titan’s obligation under this warranty is limited to replacing or repairing without charge those parts which, to Titan’s reasonable satisfaction, are shown to be defective within twelve (12) months after sale to the End User. This warranty applies only when the unit is installed and operated in accordance with the recommendations and instructions of Titan.

This warranty does not apply in the case of damage or wear caused by abrasion, corrosion or misuse, negligence, accident, faulty installation, substitution of non-Titan component parts, or tampering with the unit in a manner to impair normal operation.

Defective parts are to be returned to an authorized Titan sales/service outlet. All transportation charges, including return to the factory, if necessary, are to be borne and prepaid by the End User. Repaired or replaced equipment will be returned to the End User transportation prepaid.

THERE IS NO OTHER EXPRESS WARRANTY. TITAN HEREBY DISCLAIMS ANY AND ALL IMPLIED WARRANTIES INCLUDING, BUT NOT LIMITED TO, THOSE OF MERCHANTABILITY AND FITNESS FOR A PARTICULAR PURPOSE, TO THE EXTENT PERMITTED BY LAW. THE DURATION OF ANY IMPLIED WARRANTIES WHICH CANNOT BE DISCLAIMED IS LIMITED TO THE TIME PERIOD SPECIFIED IN THE EXPRESS WARRANTY. IN NO CASE SHALL TITAN LIABILITY EXCEED THE AMOUNT OF THE PURCHASE PRICE. LIABILITY FOR CONSEQUENTIAL, INCIDENTAL OR SPECIAL DAMAGES UNDER ANY AND ALL WARRANTIES IS EXCLUDED TO THE EXTENT PERMITTED BY LAW.

TITAN MAKES NO WARRANTY AND DISCLAIMS ALL IMPLIED WARRANTIES OF MERCHANTABILITY AND FITNESS FOR A PARTICULAR PURPOSE WITH RESPECT TO ACCESSORIES, EQUIPMENT, MATERIALS OR COMPONENTS SOLD BUT NOT MANUFACTURED BY TITAN. THOSE ITEMS SOLD, BUT NOT MANUFACTURED BY TITAN (SUCH AS GAS ENGINES, SWITCHES, HOSES, ETC.) ARE SUBJECT TO THE WARRANTY, IF ANY, OF THEIR MANUFACTURER. TITAN WILL PROVIDE THE PURCHASER WITH REASONABLE ASSISTANCE IN MAKING ANY CLAIM FOR BREACH OF THESE WARRANTIES.

## GARANTIE

Titan Tool, Inc., ("Titan") garantiert, dass zum Zeitpunkt der Lieferung an den Käufer („Endverbraucher“) die Ausrüstung, die von dieser Garantie abgedeckt ist, frei von Material- und Fabrikationsfehler ist. Mit Ausnahme spezieller, eingeschränkter oder erweiterter Garantie, die Titan bekannt gegeben hat, ist die Gewährleistungsverpflichtung von Titan beschränkt auf den kostenlosen Austausch oder Nachbesserung für jene Teile, die, nachdem dies Titan nachvollziehbar nachgewiesen wurden, binnen zwölf (12) Monaten nach Verkauf an den Endverbraucher sich als fehlerhaft erweisen. Die Garantie greift nur, wenn das Gerät gemäß den Empfehlungen und Anweisungen von Titan installiert und bedient wurde.

Diese Garantie gilt nicht bei Beschädigung oder Abnutzung durch Abrieb, Korrosion oder unsachgemäße Benutzung, Unachtsamkeit, Unfall, unsachgemäße Installation, Verwendung von Ersatzteilen, die nicht von Titan stammen bzw. wenn Änderungen an dem Gerät vorgenommen wurden wodurch eine normale Benutzung beeinträchtigt wird

Defekte Teile müssen an den autorisierten Titan-Händler/ die autorisierte Titan-Niederlassung zurückgeschickt werden. Alle Transportkosten, einschließlich der Rücksendung an die Fabrik, falls erforderlich, sind vom Endverbraucher zu tragen und müssen im Voraus bezahlt werden. Repariertes oder ausgetauschtes Zubehör wird auf Kosten des Endverbrauchers nach Vorauszahlung der Transportkosten zurückgeschickt

ES GIBT SONST KEINE ANDERE MÄNGELGARANTIE. TITAN SCHLIESST HIERMIT ALLE UND JEDE STILLSCHWEIGENDE GARANTIE AUS, EINSCHLIESSLICH, JEDOCH NICHT BESCHRÄNKT AUF MARKTFÄHIGKEIT UND EIGNUNG FÜR EINEN BESTIMMTEN ZWECK, SOWEIT GESETZLICH ZULÄSSIG. DIE DAUER ALLER STILLSCHWEIGENDEN GARANTIEN, DIE NICHT AUSGESCHLOSSEN WERDEN KÖNNEN, SIND BESCHRÄNKT AUF DIE IN DER AUSDRÜCKLICHEN GARANTIE FESTGELEGTE DAUER. TITAN HAFTET IN KEINER WEISE ÜBER DEN KAUFPREIS HINAUS. DIE HAFTUNG FÜR FOLGESCHÄDEN, ZUFÄLLIGE SCHÄDEN ODER SPEZIELLE SCHÄDEN UNTER JEDER UND ALLEN GARANTIEN IST AUSGESCHLOSSEN SOWEIT GESETZLICH ZUGELASSEN.

TITAN ÜBERNIMMT KEINE GARANTIE UND SCHLIESST ALLE STILLSCHWEIGENDEN GARANTIEN AUF MARKTFÄHIGKEIT UND EIGNUNG FÜR EINEN BESTIMMTEN ZWECK BEZÜGLICH ZUBEHÖR, AUSRÜSTUNG, MATERIALIEN UND KOMPONENTEN AUS, DIE VON TITAN VERKAUFT, JEDOCH NICHT HERGESTELLT WURDEN. JENE VON TITAN VERKAUFTEN, JEDOCH NICHT VON TITAN HERGESTELLTEN KOMPONENTEN (WIE Z.B. GASMOTOREN, SCHALTER, SCHLÄUCHE, ETC.) UNTERLIEGEN DER GEWÄHRLEISTUNG DES JEWEILIGEN HERSTELLERS, SOFERN DIESE GEWÄHRT WERDEN. TITAN UNTERSTÜTZT DEN KÄUFER IN ANGEMESSENER WEISE, WENN ES UM ANSPRÜCHE WEGEN DER VERLETZUNG VON GEWÄHRLEITUNGEN GEHT.

## GARANTIE

Titan Tool, Inc. ("Titan") garantit qu'au moment de la livraison à l'acheteur initial ("Utilisateur"), l'appareil couvert par la présente garantie sera exempt de défauts de matériaux et de fabrication. Exception faite de toute garantie particulière ou limitée et de toute extension de garantie publiées par Titan, la responsabilité de celui-ci se limite, en vertu de la présente garantie, au remplacement ou à la réparation sans frais des pièces dont le caractère défectueux aura été démontré de manière satisfaisante pour Titan, dans un délai de douze (12) mois après la date d'achat par l'Utilisateur. Cette garantie ne sera applicable que si l'appareil a été installé et utilisé conformément aux recommandations et directives de Titan.

Cette garantie ne sera pas applicable dans les cas d'endommagement ou d'usure dus à l'abrasion, la corrosion, un mauvais usage, la négligence, un accident, une installation incorrecte, un remplacement par des composants non fournis par Titan ou toute autre intervention non autorisée de nature à nuire au fonctionnement normal de l'appareil.

Les pièces défectueuses devront être envoyées à un centre de service / vente Titan autorisé. Les frais de transport couvrant y compris le retour à l'usine, seront, le cas échéant, prépayés par l'Utilisateur. Après réparation ou remplacement, les pièces seront renvoyées à ce dernier par transport prépayé.

AUCUNE AUTRE GARANTIE EXPRESSE N'EST ACCORDÉE. TITAN REJETTE TOUTE AUTRE GARANTIE IMPLICITE Y COMPRIS, NOTAMMENT, LES GARANTIES DE QUALITÉ MARCHANDE ET DE COMPATIBILITÉ AVEC UN USAGE PARTICULIER, DANS LES LIMITES PERMISES PAR LA LOI.

LA DURÉE DES GARANTIES IMPLICITES NE POUVANT FAIRE L'OBJET D'UNE RENONCIATION SE LIMITE À LA PÉRIODE INDIQUÉE DANS LA GARANTIE EXPRESSE.

LA RESPONSABILITÉ DE TITAN NE SAURAIT EN AUCUN CAS ÊTRE ENGAGÉE POUR UN MONTANT SUPÉRIEUR À CELUI DU PRIX D'ACHAT. TITAN EXCLUT TOUTE RESPONSABILITÉ RELATIVE AUX DOMMAGES INDIRECTS, ACCESSOIRES OU PARTICULIERS, DANS LES LIMITES PRÉVUES PAR LA LOI.

TITAN NE DONNE AUCUNE GARANTIE ET DÉCLINE TOUTE GARANTIE IMPLICITE DE QUALITÉ MARCHANDE ET DE COMPATIBILITÉ AVEC UN USAGE PARTICULIER EN CE QUI CONCERNE LES ACCESSOIRES, L'APPAREIL, LES MATÉRIAUX OU LES COMPOSANTS VENDUS MAIS NON FABRIQUÉS PAR TITAN. CES DERNIERS ÉLÉMENTS, VENDUS MAIS NON FABRIQUÉS PAR TITAN (MOTEURS À ESSENCE, COMMUTATEURS, FLEXIBLES, ETC.), SONT SOUMIS, LE CAS ÉCHÉANT, À LA GARANTIE DU FABRICANT. TITAN S'ENGAGE À PORTER ASSISTANCE AUX ACHETEURS, DANS LES LIMITES DU RAISONNABLE, POUR LA CONSTITUTION DE RÉCLAMATIONS RELATIVES AU NON RESPECT DE CES GARANTIES.





- GB -

## Note on disposal:

In observance of the European Directive 2012/19/EU on waste electrical and electronic equipment and implementation in accordance with national law, this product is not to be disposed of together with household waste material but must be recycled in an environmentally friendly way!



Titan or one of our dealers will take back your used Titan waste electrical or electronic equipment and will dispose of it for you in an environmentally friendly way. Please ask your local Titan service centre or dealer for details or contact us direct.

- D -

## Entsorgungshinweis:

Gemäß der europäischen Richtlinie 2012/19/EU zur Entsorgung von Elektro-Altgeräten, und deren Umsetzung in nationales Recht, ist dieses Produkt nicht über den Hausmüll zu entsorgen, sondern muss der umweltgerechten Wiederverwertung zugeführt werden!



Ihr Titan-Altgerät wird von uns, bzw. unseren Handelsvertretungen zurückgenommen und für Sie umweltgerecht entsorgt. Wenden Sie sich in diesem Fall an einen unserer Service-Stützpunkte, bzw. Handelsvertretungen oder direkt an uns.

- F -

Consignes d'élimination:

Selon la directive européenne 2012/19/UE sur l'élimination des vieux appareils électriques et sa conversion en droit national, ce produit ne peut pas être jeté dans les ordures ménagères, mais est à amener à un point de recyclage en vue d'une élimination dans le respect de l'environnement!



Titan, resp. nos représentations commerciales reprennent votre vieil appareil Titan pour l'éliminer dans le respect de l'environnement. Adressez-vous donc directement à nos points de service resp. représentations commerciales ou directement à nous.



**POWRBEAST™**

**UNITED STATES SALES & SERVICE**

**WEB:** [www.titantool.com](http://www.titantool.com)

**PHONE:** 1-800-526-5362

1770 Fernbrook Lane

Minneapolis, MN 55447

**INTERNATIONAL**

**WEB:** [www.titantool-international.com](http://www.titantool-international.com)