



# TITAN®

## OPERATION MANUAL

# POWRLINER™ 3500 / 3500S

### PERMASTROKE TECHNOLOGY™

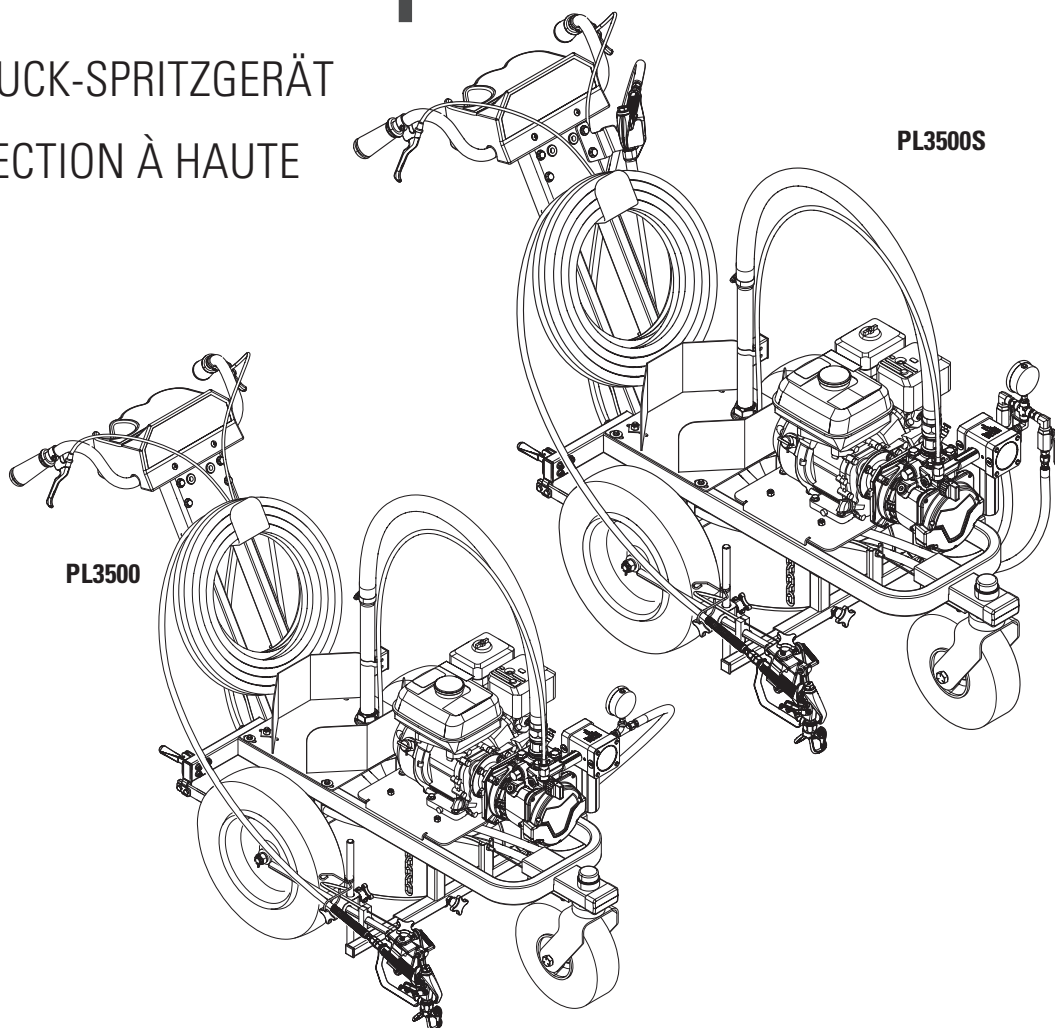
Hydraulic Fluid Displacement Pump System Inside

AIRLESS, HIGH-PRESSURE  
SPRAYING UNIT

AIRLESS HOCHDRUCK-SPRITZGERÄT

GROUPE DE PROJECTION À HAUTE  
PRESSION

- GB -	OPERATION MANUAL	2
- D -	BETRIEBSANLEITUNG	24
- F -	MODE D'EMPLOI	46



#### MODELS:

PL3500	537015
PL3500S	2417440

# Warning!

**Attention: Danger of injury by injection!**  
**Airless units develop extremely high spraying pressures.**

**1**

**Never put your fingers, hands or any other parts of the body into the spray jet!**

**Never point the spray gun at yourself, other persons or animals.  
Never use the spray gun without safety guard.**

**Do not treat a spraying injury as a harmless cut. In case of injury to the skin through coating materials or solvents, consult a doctor immediately for quick and expert treatment. Inform the doctor about the coating material or solvent used.**

**2**

**The operating instructions state that the following points must always be observed before starting up:**

1. Faulty units must not be used.
2. Secure Titan spray gun using the trigger lock on the trigger.
3. Ensure that the unit is properly earthed.
4. Check allowable operating pressure of high-pressure hose and spray gun.
5. Check all connections for leaks.

**3**

**The instructions regarding regular cleaning and maintenance of the unit must be strictly observed.**

**Before any work is done on the unit or for every break in work the following rules must be observed:**

1. Release the pressure from spray gun and hose.
2. Secure the Titan spray gun using the trigger lock on the trigger.
3. Switch off unit.

# Be safety conscious!

<b>1</b>	<b>SAFETY REGULATIONS FOR AIRLESS SPRAYING</b>	<b>4</b>	<b>5</b>	<b>CLEANUP</b>	<b>17</b>
1.1	Explanation of symbols used	4	5.1	Special cleanup instructions for use with flammable solvents	17
1.2	Safety hazards	4	5.2	Cleaning the sprayer	17
1.3	Gasoline engine safety	6	5.3	Cleaning the unit from outside	17
1.4	Fueling (gas engine)	7	5.4	Suction filter	18
<b>2</b>	<b>MAIN AREAS OF APPLICATION</b>	<b>8</b>	5.5	Cleaning the high-pressure filter	18
2.1	Application	8	5.6	Cleaning the airless spray gun	19
2.2	Coating materials	8	<b>6</b>	<b>SERVICING</b>	<b>19</b>
2.3	Glass bead dispenser kits (sold separately)	8	6.1	General servicing	19
<b>3</b>	<b>DESCRIPTION OF UNIT</b>	<b>9</b>	6.2	High pressure hose	19
3.1	Airless process	9	6.3	Basic engine maintenance	20
3.2	Instruction manuals list	9	6.4	Typical wear parts	20
3.3	Adjusting the handlebars	9	6.5	Troubleshooting	21
3.4	Handbrake	9	<b>7</b>	<b>REPAIRS</b>	<b>22</b>
3.5	System diagram	10	7.1	Inlet valve pusher	22
3.6	Technical data	11	7.2	Inlet valve	22
<b>4</b>	<b>OPERATION</b>	<b>12</b>	7.3	Outlet valve	23
4.1	Setup	12	<b>ACCESSORIES</b>	<b>68</b>	
4.2	Starting the engine	13	<b>SPRAY GUN POSITIONS</b>	<b>69</b>	
4.3	Preparing a new sprayer	13	<b>STRIPING TIPS</b>	<b>70</b>	
4.4	Preparing to paint	14	<b>STRIPING TIP CHART</b>	<b>72</b>	
4.5	Using the stencil gun (PL3500S only)	14	<b>WARRANTY</b>	<b>73</b>	
4.6	Pressure relief procedure	15			
4.7	Operating the front caster	15			
4.8	Cleaning a clogged tip	15			
4.9	Interruption of work	16			
4.10	Handling the high pressure hose	16			

# 1 SAFETY REGULATIONS FOR AIRLESS SPRAYING

## 1.1 EXPLANATION OF SYMBOLS USED

This manual contains information that must be read and understood before using the equipment. When you come to an area that has one of the following symbols, pay particular attention and make certain to heed the safeguard.



→ This symbol indicates a potential hazard that may cause serious injury or loss of life. Important safety information will follow.



Attention

→ This symbol indicates a potential hazard to you or to the equipment. Important information that tells how to prevent damage to the equipment or how to avoid causes of minor injuries will follow.



→ Danger of skin injection



→ Danger of fire from solvent and paint fumes



→ Danger of explosion from solvent, paint fumes and incompatible materials



→ Danger of injury from inhalation of harmful vapors



→ Notes give important information which should be given special attention.



### → **WARNING! CALIFORNIA PROPOSITION 65 WARNING**

This product can expose you to chemicals including lead, which are known to the State of California to cause cancer, birth defects, or other reproductive harm.

The engine exhaust from models with gas-powered engines can expose you to carbon monoxide which is known to the State of California to cause cancer, birth defects, and other reproductive harm.

For more information go to [www.P65warnings.ca.gov](http://www.P65warnings.ca.gov).

## 1.2 SAFETY HAZARDS



### **HAZARD: INJECTION INJURY**

A high pressure stream produced by this equipment can pierce the skin and underlying tissues, leading to serious injury and possible amputation.

Do not treat a spraying injury as a harmless cut. In case of injury to the skin through coating materials or solvents, consult a doctor immediately for quick and expert treatment. Inform the doctor about the coating material or solvent used.

### **PREVENTION:**

- NEVER aim the gun at any part of the body.
- NEVER allow any part of the body to touch the fluid stream. DO NOT allow body to touch a leak in the fluid hose.
- NEVER put your hand in front of the gun. Gloves will not provide protection against an injection injury.
- ALWAYS lock the gun trigger, shut the fluid pump off and release all pressure before servicing, cleaning the tip guard, changing tips, or leaving unattended. Pressure will not be released by turning off the engine. The PRIME/SPRAY valve or pressure bleed valve must be turned to their appropriate positions to relieve system pressure.
- ALWAYS keep tip guard in place while spraying. The tip guard provides some protection but is mainly a warning device.
- ALWAYS remove the spray tip before flushing or cleaning the system.
- NEVER use a spray gun without a working trigger lock and trigger guard in place.
- All accessories must be rated at or above the maximum operating pressure range of the sprayer. This includes spray tips, guns, extensions, and hose.



### HAZARD: HIGH PRESSURE HOSE

The paint hose can develop leaks from wear, kinking and abuse. A leak can inject material into the skin. Inspect the hose before each use.

#### PREVENTION:

- Avoid sharp bending or kinking of the high-pressure hose. The smallest bending radius amounts to about 8" (20 cm).
- Do not drive over the high-pressure hose. Protect against sharp objects and edges.
- Replace any damaged high-pressure hose immediately.
- Never repair damaged high-pressure hoses yourself!
- Electrostatic charging of spray guns and the high-pressure hose is discharged through the high-pressure hose. For this reason the electric resistance between the connections of the high-pressure hose must be equal to or lower than 1MΩ.
- For reasons of function, safety and durability use only original Titan high-pressure hoses.
- Before each use, check all hoses for cuts, leaks, abrasion or bulging of cover. Check for damage or movement of couplings. Immediately replace the hose if any of these conditions exist. Never repair a paint hose. Replace it with another earthed high-pressure hose.
- Make sure power cord, air hose and spray hoses are routed in such a manner to minimize slip, trip and fall hazard.



### HAZARD: EXPLOSION OR FIRE

Flammable vapors, such as solvent and paint vapors, in work area can ignite or explode.



#### PREVENTION:

- Use equipment only in well ventilated area. Keep a good supply of fresh air moving through the area to keep the air within the spray area free from accumulation of flammable vapors. Keep pump assembly in well ventilated area. Do not spray pump assembly.
- Gas models only - Do not fill fuel tank while engine is running or hot; shut off engine and allow to cool. Fuel is flammable and can ignite or explode if spilled on a hot surface.
- Eliminate all ignition sources, such as pilot lights, cigarettes, portable electric lamps and plastic drop cloths (potential static arc).
- Keep work area free of debris, including solvent, rags and gasoline.
- Do not plug or unplug power cords, or turn power or light switches on or off when flammable vapors are present.
- Ground equipment and conductive objects in work area. Make sure grounding chain is in place and reaches the ground.
- Use only grounded hoses.
- Hold spray gun firmly to the side of a grounded pail when triggering into pail.
- If there is static sparking or if you feel a shock, stop operation immediately.
- Know the contents of the paint and solvents being sprayed. Read all material Safety Data Sheets (SDS) and container labels provided with the paints and solvents. Follow the paint and solvent manufacturer's safety instructions.
- Do not use a paint or solvent containing halogenated hydrocarbons. Such as chlorine, bleach, mildewcide, methylene chloride and trichloroethane. They are not compatible with aluminum. Contact the coating supplier about compatibility of material with aluminum.
- Keep a fire extinguisher in work area.



### HAZARD: HAZARDOUS VAPORS

Paints, solvents, and other materials can be harmful if inhaled or come in contact with body. Vapors can cause severe nausea, fainting, or poisoning.

#### PREVENTION:

- Wear respiratory protection when spraying. Read all instructions supplied with the mask to be sure it will provide the necessary protection.
- All local regulations regarding protection against hazardous vapors must be observed.
- Wear protective eyewear.
- Protective clothing, gloves and possibly skin protection cream are necessary for the protection of the skin. Observe the regulations of the manufacturer concerning coating materials, solvents and cleaning agents in preparation, processing and cleaning units.



### HAZARD: GENERAL

This product can cause severe injury or property damage.

#### PREVENTION:

- Follow all appropriate local, state, and national codes governing ventilation, fire prevention, and operation.
- Pulling the trigger causes a recoil force to the hand that is holding the spray gun. The recoil force of the spray gun is particularly powerful when the tip has been removed and high pressure has been set on the airless pump. When cleaning without a spray tip, set the pressure control knob to the lowest pressure.
- Use only manufacturer authorized parts. User assumes all risks and liabilities when using parts that do not meet the minimum specifications and safety devices of the pump manufacturer.
- ALWAYS follow the material manufacturer's instructions for safe handling of paint and solvents.
- Clean up all material and solvent spills immediately to prevent slip hazard.
- Wear ear protection. This unit can produce noise levels above 85 dB(A).
- Never leave this equipment unattended. Keep away from children or anyone not familiar with the operation of airless equipment.
- Do not spray on windy days.
- The device and all related liquids (i.e. hydraulic oil) must be disposed of in an environmentally friendly way.

## 1.4 GASOLINE ENGINE SAFETY

1. Gas engines are designed to give safe and dependable service if operated according to instructions. Read and understand the engine manufacturer's Owner's Manual before operating the engine. Failure to do so could result in personal injury or equipment damage.
2. To prevent fire hazards and to provide adequate ventilation, keep the engine at least 1 meter (3 feet) away from buildings and other equipment during operation. Do not place flammable objects close to the engine.
3. People who are not operating the device must stay away from the area of operation due to a possibility of burns from hot engine components or injury from any equipment the engine may be used to operate.
4. Know how to stop the engine quickly, and understand the operation of all controls. Never permit anyone to operate the engine without proper instructions.
5. Gasoline is extremely flammable and is explosive under certain conditions.
6. Refuel in a well-ventilated area with the engine stopped. Do not smoke or allow flames or sparks in the refueling area or where gasoline is stored.
7. Do not overfill the fuel tank. After refueling, make sure the tank cap is closed properly and securely.
8. Be careful not to spill fuel when refueling. Fuel vapor or spilled fuel may ignite. If any fuel is spilled, make sure the area is dry before starting the engine.
9. Never run the engine in an enclosed or confined area. Exhaust contains poisonous carbon monoxide gas; exposure may cause loss of consciousness and may lead to death.
10. The muffler becomes very hot during operation and remains hot for a while after stopping the engine. Be careful not to touch the muffler while it is hot. To avoid severe burns or fire hazards, let the engine cool before transporting it or storing it indoors.
11. Never ship/transport sprayer with gasoline in the tank.



DO NOT use this equipment to spray water or acid.



Do not lift by cart handle when loading or unloading.  
Device is very heavy. Three-person lift is required.

## 1.5 FUELING (GAS ENGINE)



Gasoline is extremely flammable and is explosive under certain conditions.

### FUEL SPECIFICATIONS

Use automotive gasoline that has a pump octane number of 86 or higher, or that has a research octane number of 91 or higher. Use of a lower octane gasoline can cause persistent “pinging” or heavy “spark knock” (a metallic rapping noise) which, if severe, can lead to engine damage.



If “spark knock” or “pinging” occurs at a steady engine speed under normal load, change brands of gasoline. If spark knock or pinging persists, consult an authorized dealer of the engine manufacturer. Failure to do so is considered misuse, and damage caused by misuse is not covered by the engine manufacturer’s limited warranty.

Occasionally you may experience light spark knock while operating under heavy loads. This is no cause for concern, it simply means your engine is operating efficiently.

- Unleaded fuel produces fewer engine and spark plug deposits and extends the life of the exhaust system components.
- Never use stale or contaminated gasoline or an oil/gasoline mixture. Avoid getting dirt, dust, or water in the fuel tank.

### GASOLINES CONTAINING ALCOHOL

If you decide to use a gasoline containing alcohol (gasohol), be sure its octane rating is at least as high as that recommended by the engine manufacturer. There are two types of “gasohol”: one containing ethanol, and the other containing methanol. Do not use gasohol that contains more than 10% ethanol. Do not use gasoline containing methanol (methyl or wood alcohol) that does not also contain co-solvents and corrosion inhibitors for methanol. Never use gasoline containing more than 5% methanol, even if it has co-solvents and corrosion inhibitors.



Fuel system damage or engine performance problems resulting from the use of fuels that contain alcohol is not covered under the warranty. The engine manufacturer cannot endorse the use of fuels containing methanol since evidence of their suitability is incomplete at this time.

Before buying gasoline from an unfamiliar station, try to find out if the gasoline contains alcohol. If it does, confirm the type and percentage of alcohol used. If you notice any undesirable operating characteristics while using a gasoline that contains alcohol, or one that you think contains alcohol, switch to a gasoline that you know does not contain alcohol.



## 2 MAIN AREAS OF APPLICATION

### 2.1 APPLICATION

This airless line striper is a precision power tool used to spray many types of material for many types of applications including parking lots, curbs, and athletic fields.

Read and follow this instruction manual carefully for proper operating instructions, maintenance, and safety information.

### 2.2 COATING MATERIALS

#### PROCESSIBLE COATING MATERIALS

Paints containing solvents, two-component coating materials, dispersion and latex paints.

No other materials should be used for spraying without Titan's approval.

<b>i</b>	Pay attention to the Airless quality of the coating materials to be processed.
----------	--

#### VISCOSITY

The unit is able to process coating materials with up to 20,000 mPas. If highly viscous coating materials cannot be taken in or the performance of the unit is too low, the paint must be diluted in accordance with the manufacturer's instructions.

<b>i</b>	Attention: Make sure, when stirring up with motor-driven agitators that no air bubbles are stirred in. Air bubbles disturb when spraying and can, in fact, lead to interruption of operation.
----------	---

#### COATING MATERIALS WITH ABRASIVE MATERIALS

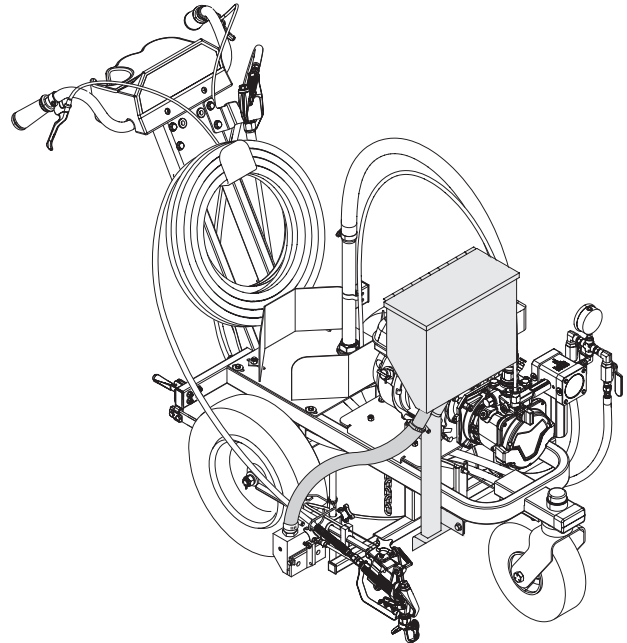
These particles have a strong wear and tear effect on valves and tips, but also on the spray gun. This impairs the durability of these wearing parts considerably.

#### FILTERING

Sufficient filtering is required for fault-free operation. The unit is equipped with a suction filter, an insertion filter in the spray gun and a high pressure filter on the unit. Regular inspection of these filters for damage or soiling is highly recommended.

### 2.3 GLASS BEAD DISPENSER KITS (SOLD SEPARATELY)

<b>i</b>	Add an optional glass bead dispensing system to deposit retro-reflective glass beads on traffic/airport paint lines. The dispenser is mounted directly behind the spray gun.
----------	--



DESCRIPTION	ORDER #
1 Gun Kit w/Hopper, 4-6" line width	424-826
1 Gun Kit w/Hopper, 12" line width	424-840
Bead Dispenser bracket kit (required for Bead Dispenser)	290181



### 3 DESCRIPTION OF UNIT

#### 3.1 AIRLESS PROCESS

A diaphragm pump takes in the coating material by suction and conveys it to the tip. Pressed through the tip at a pressure of up to a maximum of 3300 psi (228 bar, 22.8 MPa), the coating material is atomized. This high pressure has the effect of micro fine atomization of the coating material.

As no air is used in this process, it is described as an AIRLESS process.

This method of spraying has the advantages of finest atomization, cloudless operation and a smooth, bubble-free surface. As well as these, the advantages of high production speed and convenience must be mentioned.

#### 3.2 INSTRUCTION MANUALS LIST

The following is a list of the available instruction manuals for this unit.

Online items can be downloaded at [www.titantool.com](http://www.titantool.com)

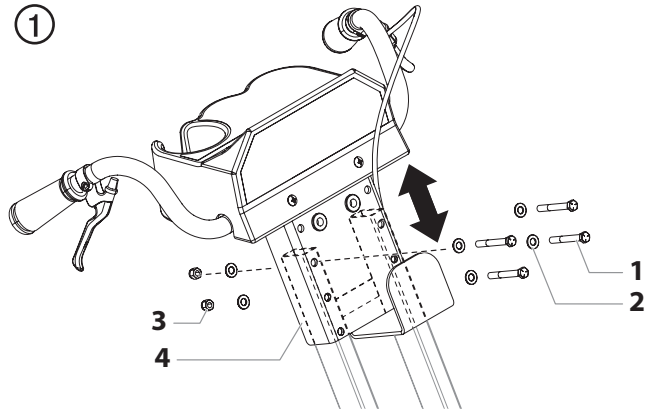
DESCRIPTION	FORM #	HOW TO FIND
<b>Operation Manuals</b>		
GB/D/F	537832	• included with unit
E/I/P	537833	• online
NL/DK/S	537834	
CN/RU/RFB	537840	
<b>Service manual, Spare Parts</b>		
GB/D/F	2429501	• online
E/I/P	2429502	
NL/DK/S	2429503	
CN/RU/RFB	2429504	
<b>Operation / Service Manual, RX-80 Spray Gun</b>		
All languages	538800	• included with unit • online

#### 3.3 ADJUSTING THE HANDLEBARS



Users can adjust the handlebar height for operational comfort.

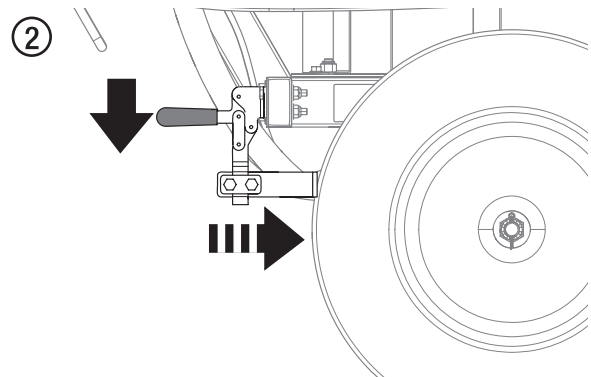
1. Remove the four bolts (Fig. 1, item 1), washers (2) and nuts (3) that secure the handlebar weldment (4) to the frame.
2. Slide the handlebar weldment up or down to its new position. Make sure the holes in the weldment line up with the holes in the frame.
3. Secure the handlebar weldment to the frame using the bolts, washers, and nuts removed in step 1.





#### 3.4 HAND BRAKE



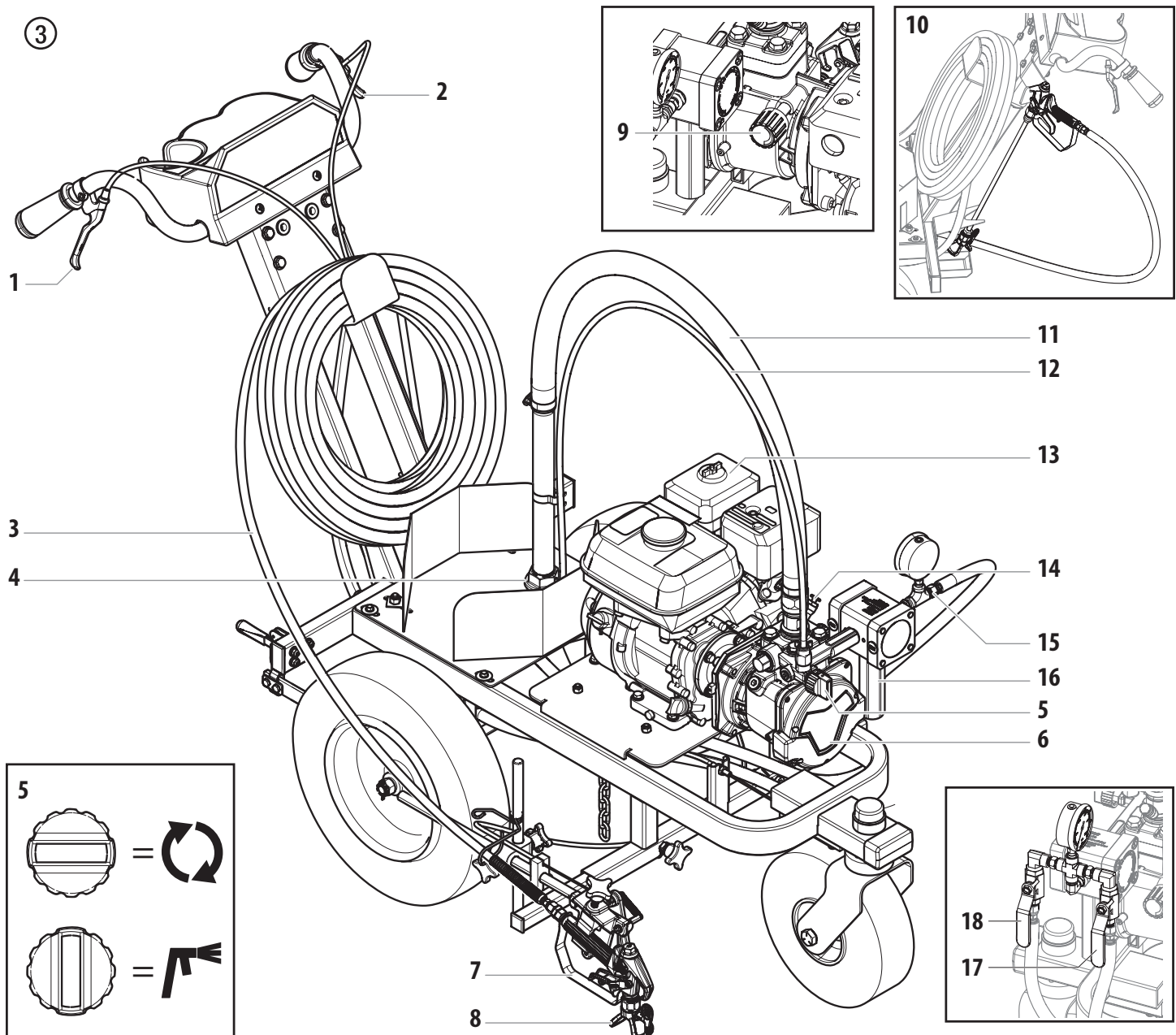
Be sure to engage the hand brake located behind the right rear wheel whenever using the stencil gun or whenever the sprayer is not in use in order to keep it from inadvertently rolling down an incline.



### 3.4 SYSTEM DIAGRAM

1. Gun trigger
2. Caster trigger
3. High-pressure hose
4. Suction filter
5. Relief valve  
PRIME =   
SPRAY = 
6. Hydraulic pump assembly
7. Spray gun

8. Tip guard with airless tip
9. Pressure control knob
10. Stencil gun (PL3500S only)
11. Suction tube
12. Bleed hose
13. Gasoline engine
14. Pusher stem
15. High-pressure hose connection
16. High pressure filter
17. Striping gun shutoff valve (PL3500S only)
18. Stencil gun shutoff valve (PL3500S only)



### 3.5 TECHNICAL DATA

<b>Gasoline engine, power</b>	
	120cc (Honda)
<b>Fuel capacity</b>	
	0.66 US gal (2.5 l)
<b>Max. operating pressure</b>	
	3300 psi (22,8 MPa, 228 bar)
<b>Max. volume flow</b>	
	0.75 gal/min (2.8 l/min)
<b>Volume flow at 0.6 MPa (6 bar) with water</b>	
	0.61 gal/min (2.3 l/min)
<b>Max. temperature of the coating material</b>	
	109° F (43 °C)
<b>Material hose connection</b>	
	1/4"-18 NPSM
<b>Max. viscosity</b>	
	20,000 mPas
<b>Max. size of tip with a spray gun</b>	
	0.027" – 0.68 mm
<b>Empty weight</b>	
PL3500	192 lbs (87 kg)
PL3500S	201 lbs (91 kg)
<b>Dimensions (L x W x H)</b>	
	65" x 32.5" x 39.5" (165 cm x 82.5 cm x 100.3 cm)
<b>Hydraulic oil filling quantity</b>	
Hydraulics housing	1.15 liter
Gears	0.05 liter
<b>Max. vibration at the spray gun</b>	
	lower than 2.5 m/s <sup>2</sup>
<b>Max. sound pressure level</b>	
	74 dB (A)*

\* Place of measurement: 1 m distance from unit and 1.60m above floor, 12 MPa (120 bar) operating pressure, reverberant floor

#### OPERATING TEMPERATURE

This equipment will operate correctly in its intended ambient, at a minimum between +50°F (10°C) and 104°F (+40°C).

#### RELATIVE HUMIDITY

The equipment will operate correctly within an environment at 50% RH, 104°F (+40°C). Higher RH may be allowed at lower temperatures.

Measures shall be taken by the Purchaser to avoid the harmful effects of occasional condensation.

#### ALTITUDE

This equipment will operate correctly up to 2100 m (6890 ft) above mean sea level.



Honda service center can add a high-altitude kit if operation at higher elevation is required.

#### TRANSPORTATION AND STORAGE

This equipment will withstand, or has been protected against, transportation and storage temperatures of -13°F (-25°C) to 131°F (55°C) and for short periods up to 150°F (70°C).

It has been packaged to prevent damage from the effects of normal humidity, vibration and shock.

## 4 OPERATION



This equipment produces a fluid stream at extremely high pressure. Read and understand the warnings in the Safety Precautions section at the front of this manual before operating this equipment.

### 4.1 SETUP

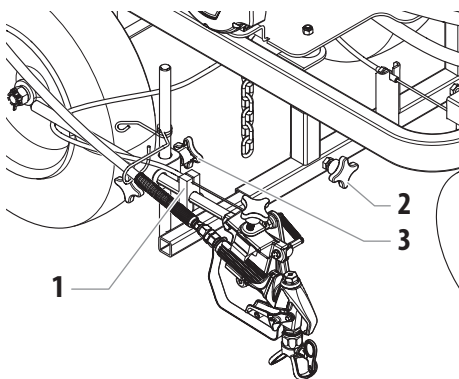
1. Ensure that the siphon hose and the return hose are attached and secure.
2. Position the spray gun (Fig. 4).
  - a. Disengage the trigger cable from the tensioning clamp (1).



Always disengage the trigger cable from the tensioning clamp before making any adjustments to the spray gun position.

- b. Loosen the support bar clamp (2) and slide the gun support bar to the desired horizontal position. The gun should be positioned wide enough so that the wheel will not roll through the spray pattern.
- c. Loosen the gun riser clamp (3) and slide the spray gun to the desired vertical position.
- d. Replace the trigger cable to the tensioning clamp (1).

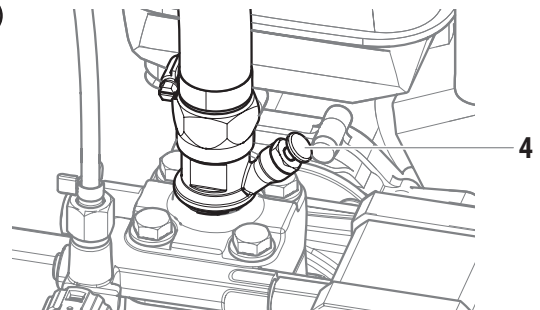
④



The height of the spray gun affects the width of the spray pattern (i.e., the lower the gun, the smaller the line width). Tip size also affects line width.

3. Fully depress the pusher stem (Fig. 5, item 4) to make sure the inlet ball is free.

⑤



4. Check the engine oil level daily before starting the sprayer. The gasoline engine oil level is determined by the engine manufacturer. Refer to the engine manufacturer's service manual supplied with this sprayer.
5. Make sure the sprayer is grounded/earthed. All sprayers are equipped with an grounding/earthing chain. Make sure the chain reaches all the way to the ground. Check your local electrical regulations for detailed grounding/earthing instructions.



Proper grounding/earthing is important. The passage of some materials through the nylon fluid hose will build up a static electric charge, which if discharged, could ignite solvent vapors present and create an explosion.

6. Strain all paints with a nylon strainer to ensure trouble free operation and freedom from frequent cleaning of the suction filter and gun filter.
7. Make sure the spray area is well ventilated to prevent hazardous operation with volatile solvents or exhaust fumes.

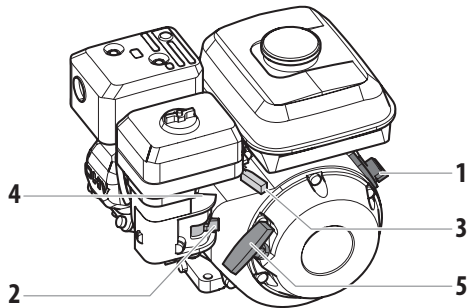
## 4.2 STARTING THE ENGINE



Follow these instructions whenever prompted in this manual to start the engine.

1. Move the fuel valve lever (Fig. 6, item 2) to the open position.
2. Move the throttle lever (3) to its middle point.
3. Move the choke lever (4) to the closed position for a cold engine or to the open position for a warm engine,
4. Turn the engine switch (1) to the ON position, and
5. Pull the starter rope (5) briskly until the engine starts.

⑥



If choke lever (4) was moved to closed position to start the engine, it must be opened again once the engine is running.

## 4.3 PREPARING A NEW SPRAYER



If this unit is new, it is shipped with test fluid in the fluid section to prevent corrosion during shipment and storage. This fluid must be thoroughly cleaned out of the system with mineral spirits before you begin spraying.



Attention

Always keep the trigger lock on the spray gun in the locked position while preparing the system. Refer to the spray gun instruction manual for trigger lock instructions.

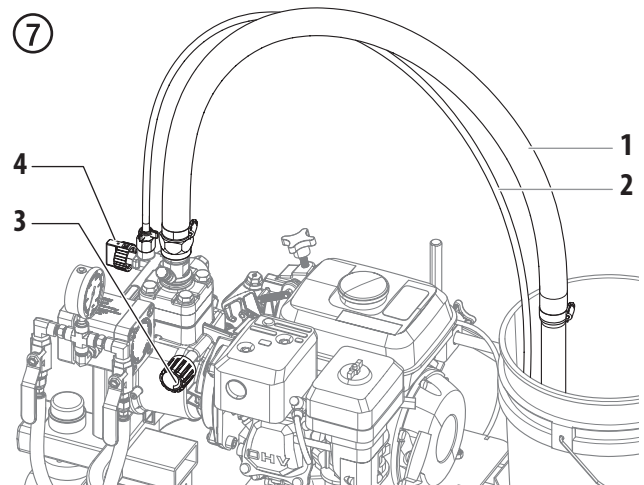


Make sure that the spray gun does not have a tip or tip guard installed.

**PL3500S models:** Make sure the stencil gun shutoff valve is closed prior to starting the engine (the valve handle should be perpendicular to the hose).

1. Immerse the suction tube (Fig. 7, Item 1) and return hose (2) into a container with mineral spirits.
2. Turn the pressure control knob counterclockwise (3) to minimum pressure.
3. Turn the relief valve (4) to PRIME (↻ circulation).

⑦



4. Start the engine (refer to section 4.2).
5. Wait until the cleaning agent exudes from the return hose.
6. Turn the relief valve (4) to SPRAY (↗ spray).
7. Unlock the spray gun (refer to spray gun manual).
8. Aim the spray gun into an open waste container. Pull the gun trigger on the right handlebar.
9. Spray the cleaning agent from the unit into an open, grounded (earthed) collecting container.

## 4.4 PREPARING TO PAINT

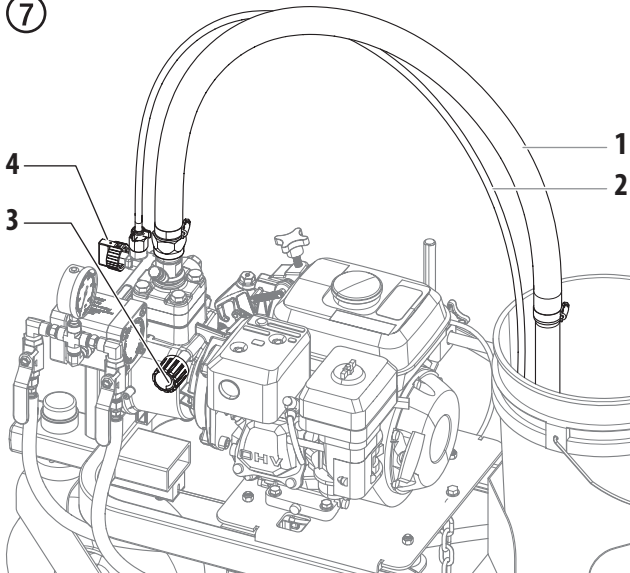


Make sure that the spray gun does not have a tip or tip guard installed.

**PL3500S models:** Make sure the stencil gun shutoff valve is closed prior to starting the engine (the valve handle should be perpendicular to the hose).

1. Immerse the suction tube (Fig. 7, Item 1) and return hose (2) into the coating material container.
2. Turn the pressure control knob counterclockwise (3) to minimum pressure.
3. Turn the relief valve (4) to PRIME (↻ circulation).
4. **PL3500S models:** Make sure the striping gun shutoff valve is open (the valve handle should be in line with the hose).

⑦

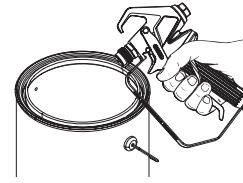


5. Start the engine (refer to section 4.2).
6. Turn the relief valve (4) to SPRAY (↗ spray).
7. Aim the spray gun into an open waste container. Pull the gun trigger on the right handlebar.
8. Trigger the spray gun several times and spray into a collecting container until the coating material exits the spray gun without interruption.



Ground/Earth the gun by holding it against the edge of the metal container while flushing. Failure to do so may lead to a static electric discharge, which may cause a fire.

⑧



9. Lock the gun by pushing the gun trigger lock to the locked position (refer to spray gun manual).
10. Attach tip guard and tip to the gun as instructed by the tip guard or tip manuals.



**POSSIBLE INJECTION HAZARD.** Do not spray without the tip guard in place. Never trigger the gun unless the tip is in either the spray or the unclog position. Always engage the gun trigger lock before removing, replacing or cleaning tip.

11. Increase the pressure by slowly turning up the pressure control knob.

Check the spray pattern and increase the pressure until the atomization is correct.

Always turn the pressure control knob to the lowest setting with good atomization.

12. The unit is ready to spray.



Turning the pressure up higher than needed to atomize the paint will cause premature tip wear and additional overspray.

## 4.5 USING THE STENCIL GUN



The stencil gun is intended to be used for free-spraying of stencils that are laid on the ground. Follow these steps.

1. Make sure all the steps in section 4.4 are complete.
2. Make sure the spray gun trigger is in the locked position before removing the spray gun from the holder (refer to the spray gun manual).
3. Turn the striping gun shutoff valve to the closed position (the valve handle should be perpendicular to the spray hose).
4. Turn the stencil gun shutoff valve to the open position (the valve handle should be in line with the spray hose).
5. The stencil gun is now ready to be used. When finished using, close the shutoff valve and perform the Pressure Relief Procedure (section 4.6).



## 4.6 PRESSURE RELIEF PROCEDURE



Be sure to follow the Pressure Relief Procedure when shutting the unit down for any purpose, including servicing or adjusting any part of the spray system, changing or cleaning spray nozzles, or preparing for cleanup.

1. Lock the spray gun by pushing the gun trigger lock to the locked position.
2. Set the pressure to minimum by turning the pressure control knob fully counterclockwise.
3. Turn the relief valve to PRIME (↻ circulation).
4. Move the throttle lever to the slow position.
5. Turn the engine switch to the OFF position.
6. Unlock the gun by pushing the gun trigger lock to the unlocked position (refer to spray gun manual).
7. Hold the metal part of the gun firmly to the side of a metal waste container to ground/earth the gun and avoid a build up of static electricity.
8. Trigger the gun to remove any pressure that may still be in the hose.
9. Lock the gun by pushing the gun trigger lock to the locked position (refer to spray gun manual).

## 4.7 OPERATING THE FRONT CASTER



The front caster on the cart is designed to track the sprayer in either a straight line or allow free motion.

Standing behind the sprayer, the trigger on the left handle of the cart controls the operation of the front caster.

1. To lock the front caster in the straight line position, squeeze then release the caster trigger and move the sprayer forward.
2. To allow free motion of the front caster, squeeze and hold the caster trigger.

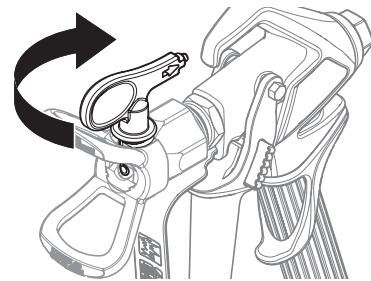
## 4.8 CLEANING A CLOGGED TIP



If the spray pattern becomes distorted or stops completely while pulling the trigger, perform the steps below.

1. Turn the relief valve to PRIME (↻ circulation).
2. If the tip clogs, rotate the tip handle 180° until the arrow on the handle is facing the opposite of the spray direction and the handle clicks in the reverse position (Fig. 9).
3. Turn the relief valve to SPRAY (↖ spray).

⑨




4. Trigger the gun once so that the pressure can blow the clog out. NEVER use the tip in the reverse position for more than ONE trigger pull at a time. This procedure can be repeated until the tip is free of clogging.





The flow from the spray tip is at very high pressure. Contact with any body part may be dangerous. Do not place finger on gun outlet. Do not point the gun at any person. Never operate the spray gun without the proper tip guard.





### 4.9 INTERRUPTION OF WORK

	Follow these steps if stopping work for up to 20 hours.
---	---

1. Follow the "Pressure Relief Procedure" found in the Operation section of this manual, section 4.6.
2. Place the spray gun in a plastic bag, or drop it into a bucket of water.
3. Leave the suction tube and return hose immersed in the coating material or immerse it into a corresponding cleaning agent.
4. Cover the coating material with plastic and place unit in a cool, shaded spot to keep material from drying out.

 <b>Attention</b>	If fast-drying or two-component coating material is used, ensure that the unit is rinsed with a suitable cleaning agent within the processing time.
	When ready to being spraying again, remove the plastic from the material container and restart the sprayer by following the steps in section 4.4.

### 4.10 HANDLING THE HIGH-PRESSURE HOSE



	The unit is equipped with a high-pressure hose specially suited for airless pumps.
	Danger of injury through leaking high-pressure hose. Replace any damaged high-pressure hose immediately. Never repair defective high-pressure hoses yourself!

The high-pressure hose is to be handled with care. Avoid sharp bends and folds: the smallest bending radius is about 8" (20 cm).



Do not drive over the high-pressure hose. Protect against sharp objects and edges.

Never pull on the high-pressure hose to move the device.

Make sure that the high-pressure hose cannot twist. This can be avoided by using a Titan spray gun with a swivel joint and a hose system.

	The risk of damage rises with the age of the high-pressure hose. Titan recommends replacing high-pressure hoses after 6 years.
	Use only Titan original-high-pressure hoses in order to ensure functionality, safety and durability.

## 5 CLEANUP


 <p>Attention</p>	<p>The sprayer, hose, and gun should be cleaned thoroughly after daily use. Failure to do so permits material to build up, seriously affecting the performance of the unit.</p>
	<p>Always spray at minimum pressure with the gun nozzle tip removed when using mineral spirits or any other solvent to clean the sprayer, hose, or gun. Static electricity buildup may result in a fire or explosion in the presence of flammable vapors.</p>

### 5.1 SPECIAL CLEANUP INSTRUCTIONS FOR USE WITH FLAMMABLE SOLVENTS

- Always flush spray gun preferably outside and at least one hose length from spray pump.
- If collecting flushed solvents in a one gallon metal container, place it into an empty five gallon container, then flush solvents.
- Area must be free of flammable vapors.
- Follow all cleanup instructions.


### 5.2 CLEANING THE SPRAYER

1. Follow the "Pressure Relief Procedure" found in the Operation section of this manual, section 4.6.
2. Remove the gun tip and tip guard and clean with a brush using the appropriate solvent.
3. Place the siphon tube into a container of the appropriate solvent.


 <p>Attention</p>	<p>Use only compatible solvents when cleaning out oil based enamels, lacquers, coal tar, and epoxies. Check with the fluid manufacturer for the recommended solvent.</p>
--	--

4. Place the bleed hose into a metal waste container.
5. Set the pressure to minimum by turning the pressure control knob fully counterclockwise.
6. Turn the relief valve to PRIME (🔄 circulation).
7. Start the engine (refer to section 4.2).
8. Allow the solvent to circulate through the sprayer and flush the paint out of the bleed hose into the metal waste container.


9. Turn the relief valve to SPRAY (🔥 spray).

	<p>Earth the gun by holding it against the edge of the metal container while flushing. Failure to do so may lead to a static electric discharge, which may cause a fire.</p>
---	--


10. Trigger the gun into the metal waste container until the paint is flushed out of the hose and solvent is coming out of the gun.
11. Continue to trigger the spray gun into the waste container until the solvent coming out of the gun is clean.

	<p>For long-term, cold weather storage, or any freezing temperature exposure pump mineral spirits through the entire system.</p> <p>For short-term storage not exposed to freezing temperatures when using latex paint, pump water mixed with Titan Liquid Shield through the entire system (see Accessories section of this manual for part number and product label for dilution instructions).</p>
---	---

12. Follow the "Pressure Relief Procedure" found in the Operation section of this manual, section 4.6.
13. Store the sprayer in a clean, dry area.

 <p>Attention</p>	<p>Do not store the sprayer under pressure.</p>
--	---

### 5.3 CLEANING UNIT FROM OUTSIDE

 <p>Attention</p>	<p>Never spray down the unit with a high-pressure washer or high-pressure steam cleaners.</p> <p>Do not put the high-pressure hose into solvents. Use only a wet cloth to wipe down the outside of the hose.</p>
--	--

Wipe down unit externally with a cloth which has been immersed in a suitable cleaning agent.

## 5.4 SUCTION FILTER

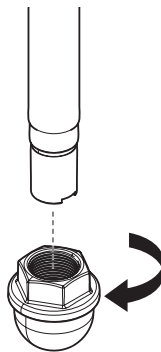


A clean suction filter always guarantees maximum feed quantity, constant spraying pressure and problem-free functioning of the unit.

1. Screw off the filter (Fig. 10) from suction tube.
2. Clean or replace the filter.

Carry out cleaning with a hard brush and an appropriate cleaning agent.

⑩



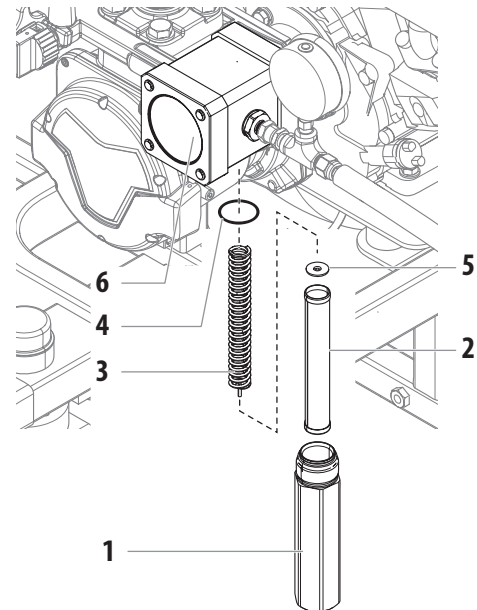
## 5.5 CLEANING THE HIGH-PRESSURE FILTER



Clean the filter cartridge regularly. A soiled or clogged high-pressure filter can cause a poor spray pattern or a clogged tip.

1. Follow the "Pressure Relief Procedure" found in the Operation section of this manual, section 4.6.
2. Unscrew the filter housing (Fig. 11, Item 1) with an adjustable wrench.
3. Pull the filter cartridge (2) from the filter support (3).
4. Clean all the parts with the corresponding cleaning agent. If necessary, replace the filter cartridge.
5. Check the O-ring (4), replace it if necessary.
6. Place the filter insert (5) against the filter support (3). Slide the filter cartridge (2) over the bearing spring.
7. Screw in filter housing (1) and tighten it as far as possible with an adjustable wrench.

⑪




The pulsation dampener (6) carries a lifetime warranty.

The pulsation dampener contains nitrogen gas and should never be opened. Tampering with the pulsation dampener (i.e. removing the four bolts on the dampener face) will void the lifetime warranty.

Contact Titan Technical Service at 1-800-526-5362 if you believe the pulsation dampener requires service.

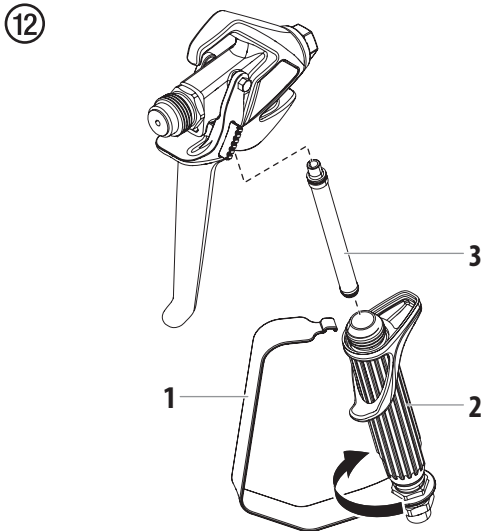
### 5.6 CLEANING AIRLESS SPRAY GUN

	Clean the spray gun after each use.
---	-------------------------------------

1. Rinse airless spray gun with an appropriate cleaning agent.
2. Clean tip thoroughly with appropriate cleaning agent so that no coating material residue remains.
3. Thoroughly clean the outside of the airless spray gun.


#### INTAKE FILTER IN AIRLESS SPRAY GUN (FIG. 12)

1. Unclip the top of the trigger guard (1) from the gun head.
2. Using the bottom of the trigger guard as a wrench, loosen and remove the handle assembly (2) from the gun head.
3. Pull the old filter (3) out of the gun head. Clean or replace.
4. Slide the new filter, tapered end first, into the gun head.
5. Thread the handle assembly into the gun head. Tighten with the trigger wrench.
6. Snap the trigger guard back onto the gun head.



## 6 SERVICING

### 6.1 GENERAL SERVICING

	We strongly recommend having an annual check carried out by technicians for safety reasons. Please observe all the applicable national regulations.
---	---

#### MINIMUM CHECK BEFORE EVERY STARTUP:



1. Check the high-pressure hose and spray gun connections.

#### CHECK AT PERIODICAL INTERVALS:

1. Check inlet and outlet valve accordingly for wear. Clean it and replace worn out parts.
2. Check all filter inserts (spray gun, suction system and pump filter), clean and replace if necessary.

### 6.2 HIGH-PRESSURE HOSE

Inspect the high-pressure hose visually for any notches or bulges, in particular at the transition in the fittings. It must be possible to turn the union nuts freely. A conductivity of less than 1 MΩ must exist across the entire length.

 Attention	Have all the electric tests performed by an Authorized Titan Service Center.
	The risk of damage rises with the age of the high-pressure hose. Titan recommends replacing high-pressure hoses after 6 years.

### 6.3 BASIC ENGINE MAINTENANCE (GAS ENGINE)

- For detailed engine maintenance and technical specifications refer to the separate gasoline engine manual.
- All service to the engine should be performed by a dealer authorized by the engine manufacturer.
- Use a premium quality motor oil. 10W30 is recommended for general all temperature use. Other viscosities may be required in other climates.
- Use only a (NGK) BR-6HS spark plug. Gap the plug to 0.028 to 0.031 in. (0.7 to 0.8 mm) Always use a spark plug wrench.

#### DAILY

1. Check engine oil level, and fill as necessary.
2. Check gasoline level, and fill as necessary.



Always follow the fueling procedure outlined earlier in this manual.

#### FIRST 20 HOURS

- Change engine oil.

#### EVERY 100 HOURS

- Change engine oil.
- Clean the sediment cup.
- Clean and re-gap the spark plug.
- Clean the spark arrestor.

#### WEEKLY

- Remove the air filter cover and clean the element. In very dusty environments, check the filter daily. Replace the element as needed. Replacement elements can be purchased from your local engine manufacturer dealer.

### ENGINE OPERATION AND SERVICE

- Clean and oil air filter pad on gasoline engine every 25 hours or once weekly. Do not permit the air intake screen around the fly wheel of the gas engine to load up with paint or trash. Clean it regularly. The service life and efficiency of the gas engine model depends upon keeping the gasoline engine running properly. Change the oil in the engine every 100 hours. Failure to observe this may result in engine overheating. Consult the engine manufacturer's service manual provided.
- To conserve fuel, service life, and efficiency of the sprayer, always operate the gasoline engine at the lowest RPM at which it runs smoothly without laboring and delivers the amount required for the particular painting operation. Higher RPM does not produce higher working pressure.
- The warranty on gasoline engines or electric motors is limited to the original manufacturer.

### 6.4 TYPICAL WEAR PARTS

Despite the use of high-quality materials the highly abrasive effect of the paints means that wear can occur at the following parts:

#### INLET VALVE (spare part Order No.: 2393043)

For replacing refer to Section 7.2

(failure becomes noticeable through performance loss and/or poor or no suction)

#### OUTLET VALVE (spare part Order No.: 2413371)

For replacing refer to Section 7.3

## 6.5 TROUBLESHOOTING

Type of malfunction	What else?	Possible cause	Measures for eliminating the malfunction
Unit does not start		Engine out of gas	Fill engine with gas
Unit does not suck in	Air bubbles do not exit at the return hose	Inlet valve clogged	Press the inlet valve button until the stop is reached several times by hand
		Inlet/outlet valve soiled / foreign bodies drawn in / worn	Remove the valves and clean then (-> refer to Section 7.2/7.3) / replace worn parts
		Pressure control valve turned down completely	Turn the pressure control valve to the right until the stop is reached
	Air bubbles exit from the return hose	Unit is sucking in outside air	Check: Suction system tightened properly? Cleaning connection (if available) at rigid suction tube screwed tight and not leaking? Inlet valve button leaky? -> Replace wiper and O-ring (-> refer to Section 7.1)
Unit does not generate pressure	Unit has sucked in air	Air in the oil circuit	Bleed the oil circuit in the unit by turning the pressure control valve completely to the left and let it run approx. 2 – 3 min. Then turn the pressure control valve to the right and set the spraying pressure (repeat process several times, if necessary).
	Unit reached pressure, but the pressure collapses during spraying.	Suction filter clogged	Check the suction filter. If necessary, clean/replace
		Paint cannot be worked in this state. Due to its properties the paint clogs the valves (inlet valve) and the delivery rate is too low.	Dilute the paint
	Unit reached pressure, but the pressure collapses during spraying.	Clogged gun filter does not let enough paint pass	Check/clean the (high-pressure filter) gun filter
		Tip clogged	Clean the tip (-> refer to Section 4.8)
	Unit does not generate the max. pressure possible. Paint nevertheless exits at the return hose.	Relief valve defective	Please contact Titan Customer Service
Poor spray pattern		Clogged orifice (see page 36, item 1 in the Service Manual)	Replace (extra one included in literature set)

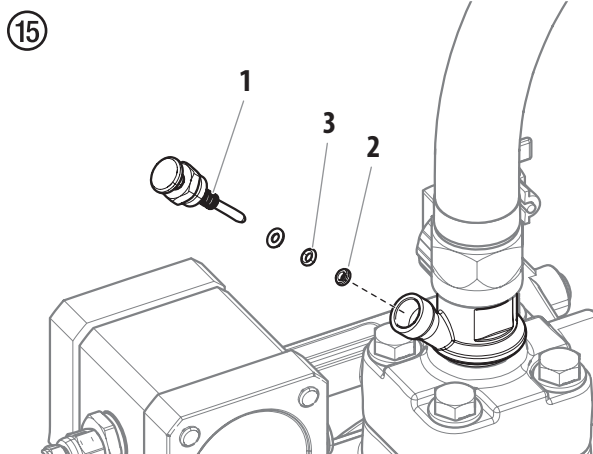
## 7 REPAIRS



Prior to making any repairs, make sure to perform the Pressure Relief Procedure, section 4.6.

### 7.1 INLET VALVE PUSHER

1. Use a 17 mm wrench to screw out the inlet valve pusher (Fig. 15, item 1).
2. Replace the wiper (2) and O-ring (3).

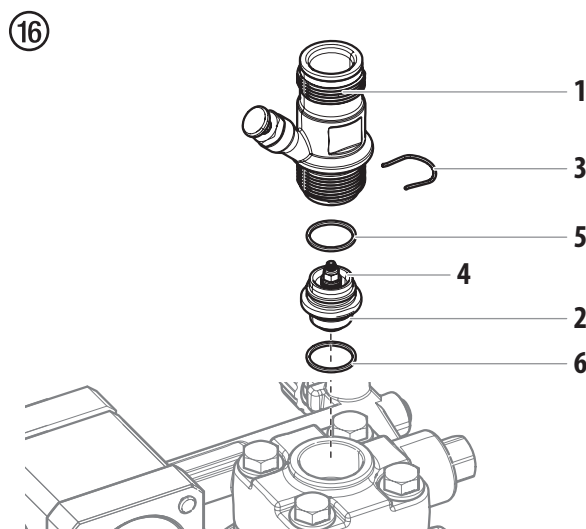


### 7.2 INLET VALVE

1. Place a 30 mm wrench on the housing (Fig. 16, item 1).
2. Loosen the housing (1) with light blows of a hammer on the end of the wrench.
3. Screw out the housing with the inlet valve (2) from the paint section.
4. Remove the clasp (3) using a screwdriver.
5. Place the 30 mm wrench on the inlet valve (2). Turn out the inlet valve carefully.
6. Clean the valve seat (4) with a cleaning agent and brush (ensure that no brush hairs are left behind).
7. Clean the seals (5, 6) and check for damage. Replace, if necessary.
8. Check all the valve parts for damage. In case of visible wear replace the inlet valve.

### INSTALLATION

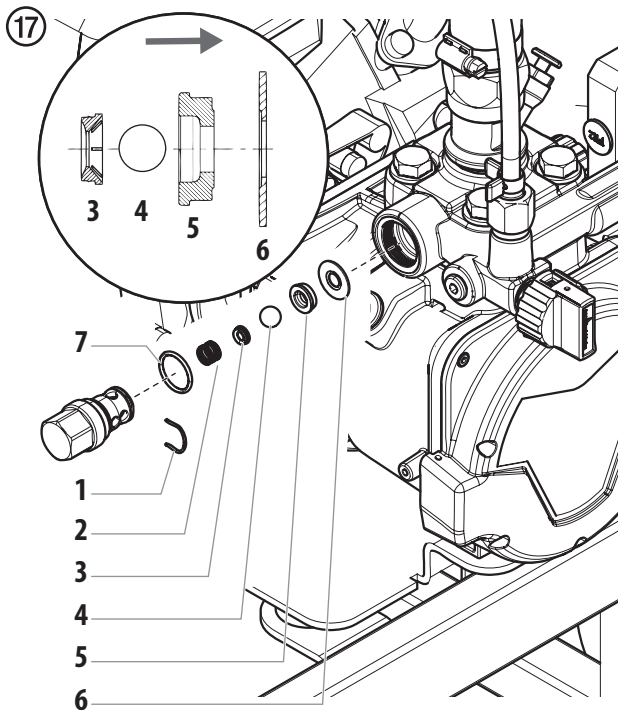
1. Insert the inlet valve (2) into the housing (1) and secure with the clasp (3). Ensure that the (black) seal (5) is mounted in the trigger housing.
2. Screw the unit from the housing and the inlet valve into the paint section. The same (black) seal (6) has to be mounted down inside the paint section.
3. Tighten the trigger housing with the 30 mm wrench and tighten with three light blows of the hammer on the end of the wrench. (Corresponds to approx. 90 Nm tightening torque).





### 7.3 OUTLET VALVE

1. Use a 22 mm wrench to remove the outlet valve from the paint section.
2. Carefully remove the clasp (Fig. 17, pos. 1) using a screwdriver. The compression spring (2) presses ball (4) and valve seat (5) out.
3. Clean or replace the components.
4. Check the O-ring (7) for damage.
5. Check the installation position when mounting the spring support ring (3) (clipped onto spring (2)), outlet valve seat (5) and seal (6), refer to figure.
6. Torque the outlet valve housing to 60 Nm.



# Warnung!

**Achtung: Verletzungsgefahr durch Injektion!**  
**Airless-Geräte entwickeln extrem hohe Spritzdrücke.**



**1**

**Niemals Finger, Hände oder andere Körperteile mit dem Spritzstrahl in Berührung bringen!**

**Nie die Spritzpistole auf sich, Personen und Tiere richten.**

**Nie die Spritzpistole ohne Spritzstrahl-Berührungsschutz benutzen.**

**Behandeln Sie eine Spritzverletzung nicht als harmlose Schnittverletzung. Bei einer Hautverletzung durch Beschichtungsstoff oder Lösemittel sofort einen Arzt aufsuchen zur schnellen, fachkundigen Behandlung. Informieren Sie den Arzt über den verwendeten Beschichtungsstoff oder das Lösemittel.**

**2**

**Vor jeder Inbetriebnahme sind gemäß Betriebsanleitung folgende Punkte zu beachten:**

1. Fehlerhafte Geräte dürfen nicht benutzt werden.
2. Titan-Spritzpistole sichern mit Sicherungshebel am Abzugsbügel.
3. Erdung sicherstellen.
4. Zulässigen Betriebsdruck von Hochdruckschlauch und Spritzpistole überprüfen.
5. Alle Verbindungsteile auf Dichtheit prüfen.

**3**

**Anweisungen zur regelmäßigen Reinigung und Wartung des Gerätes sind streng einzuhalten.**

**Vor allen Arbeiten am Gerät und bei jeder Arbeitspause folgende Regeln beachten:**

1. Spritzpistole und Hochdruckschlauch druckentlasten.
2. Titan-Spritzpistole sichern mit Sicherungshebel am Abzugsbügel.
3. Gerät ausschalten.

# Achte auf Sicherheit!

<b>1</b>	<b>SICHERHEITSVORSCHRIFTEN FÜR DAS AIRLESS-SPRITZEN</b>	<b>26</b>	<b>5</b>	<b>REINIGUNG</b>	<b>39</b>
1.1	Erklärung der verwendeten Symbole	26	5.1	Besondere Reinigungshinweise bei Verwendung entflammbarer Lösungsmittel	39
1.2	Sicherheitsrisiken	26	5.2	Reinigung des Spritzgeräts	39
1.3	Benzinmotoren-Betriebssicherheit	28	5.3	Gerätereinigung von außen	40
1.4	Betanken (Benzinmotor)	29	5.4	Ansaugfilter	40
<b>2</b>	<b>ANWENDUNGSÜBERSICHT</b>	<b>30</b>	5.5	Hochdruckfilter reinigen	40
2.1	Einsatzgebiete	30	5.6	Reinigung der Airless-Spritzpistole	41
2.2	Beschichtungsstoffe	30	<b>6</b>	<b>WARTUNG</b>	<b>41</b>
2.3	Glasperlenspender-Sets (für separaten Verkauf)	30	6.1	Allgemeine Wartung	41
<b>3</b>	<b>GERÄTEBESCHREIBUNG</b>	<b>31</b>	6.2	Hochdruckschlauch	41
3.1	Airless-Verfahren	31	6.3	Einfacher Unterhalt des Motors (Benzinmotor)	42
3.2	Liste der Bedienungsanleitungen	31	6.4	Typische Verschleißteile	42
3.3	Lenkergriffe einstellen	31	6.5	Hilfe bei Störungen	43
3.4	Handbremse	31	<b>7</b>	<b>REPARATUREN AM GERÄT</b>	<b>44</b>
3.5	Erklärungsbild	32	7.1	Einlassventildrucker	44
3.6	Technische Daten	33	7.2	Einlassventil	44
<b>4</b>	<b>BEDIENUNG</b>	<b>34</b>	7.3	Auslassventil	45
4.1	Einstellungen	34	<b>ZUBEHÖR</b>	<b>68</b>	
4.2	Start des Benzinmotors	35	<b>EINSTELLUNGEN SPRITZPISTOLE</b>	<b>69</b>	
4.3	Vorbereitung eines neuen Spritzgeräts	35	<b>STREIFENDÜSEN</b>	<b>70</b>	
4.4	Vorbereitung der Farbe	36	<b>STREIFENDÜSENTABELLE</b>	<b>72</b>	
4.5	Verwendung der Schablonenpistole (nur PL3500S)	36	<b>GARANTIE</b>	<b>74</b>	
4.6	Vorgehensweise bei Druckentlastung	37			
4.7	Das Laufrad bedienen	37			
4.8	Eine verstopfte Düse reinigen	37			
4.9	Arbeitsunterbrechung	38			
4.10	Handhabung des Hochdruck-schlauches	38			

# 1 SICHERHEITSVORSCHRIFTEN FÜR DAS AIRLESS-SPRITZEN

## 1.1 ERKLÄRUNG DER VERWENDETEN SYMBOLE

Diese Bedienanleitung enthält Informationen, die der Benutzer vor Verwendung des Geräts gründlich durcharbeiten muss. In Bereichen, die mit den folgenden Symbolen gekennzeichnet sind, besonders vorsichtig arbeiten und alle Sicherheitshinweise beachten.



→ Dieses Symbol verweist auf eine potenzielle Gefahr, die zum Tode oder zu schweren Verletzungen führen kann. Hier finden Sie wichtige Sicherheitsinformationen.



→ Dieses Symbol weist auf eine potenzielle Gefahr für Sie bzw. das Gerät hin. Unter diesem Symbol finden Sie wichtige Informationen, wie Sie Schäden an dem Gerät und Verletzungsgefahr vermeiden.



→ Injektionsgefahr



→ Brandgefahr durch Lösemittel und Farbdämpfe



→ Explosionsgefahr durch Lösemittel, Farbdämpfe und ungeeignete Materialien



→ Verletzungsgefahr durch das Einatmen von schädlichen Dämpfen



→ Hinweise enthalten wichtige Informationen, die beachtet werden sollten.

## 1.2 SICHERHEITSRISIKEN



### GEFAHR: VERLETZUNG DURCH FLÜSSIGKEITEN UNTER DRUCK

Eine unter hohem Druck stehende Flüssigkeit, wie sie von diesem Gerät erzeugt wird, kann die Haut durchdringen und in das darunter liegende Bindegewebe eindringen und so zu schweren Verletzungen und selbst zur Amputation führen.

Behandeln Sie eine Spritzverletzung nicht als harmlose Schnittverletzung. Bei einer Hautverletzung durch Beschichtungsstoff oder Lösemittel sofort einen Arzt aufsuchen zur schnellen, fachkundigen Behandlung. Informieren Sie den Arzt über den verwendeten Beschichtungsstoff oder das Lösemittel.

### VORSICHTSMASSNAHMEN:

- NIEMALS die Spritzpistole auf Körperteile halten.
- NIEMALS mit Körperteilen den Flüssigkeitsstrahl berühren. NIEMALS mit dem Körper eine Leckstelle im Druckschlauch berühren.
- NIEMALS die Hand vor die Düse der Spritzpistole halten. Handschuhe stellen keinen sicheren Schutz vor Verletzungen durch injizierte Flüssigkeiten dar.
- STETS den Auslöser der Spritzpistole verriegeln, die Pumpe ausschalten und den Druck vollständig entspannen, bevor Wartungs- und Reinigungsarbeiten, Durchsichten, Düsenwechsel oder ähnliche Arbeiten durchgeführt werden oder das Gerät unbeaufsichtigt gelassen wird. Auch nach dem Ausschalten des Motors steht das Gerät noch unter Druck. Das Ventil PRIME/SPRAY (Vorfüll-/Sprühventil) bzw. das Druckentlastungsventil müssen in ihren Sollpositionen stehen, um den Systemdruck zu entspannen.
- STETS den Düsenschutz aufsetzen, wenn Spritzarbeiten durchgeführt werden. Der Düsenschutz stellt einen gewissen Schutz dar, ist aber vor allem als Warnvorrichtung gedacht.
- STETS die Spritzdüse entfernen, bevor das System gereinigt oder gespült wird.
- NIEMALS eine Spritzpistole ohne funktionsfähige Auslöserverriegelung und ohne Auslöserbügel verwenden.
- Das gesamte Zubehör muss mindestens für den maximalen Betriebsdruckbereich des Spritzgeräts zugelassen sein. Dazu gehören Spritzdüsen, Spritzpistolen, Verlängerungen und Schlauch.



### GEFAHR: HOCHDRUCKSCHLAUCH

Durch Verschleiß, Knicken und nicht zweckentsprechende Verwendung können sich Leckstellen im Farbschlauch bilden. Durch eine Leckstelle kann Flüssigkeit in die Haut injiziert werden. Vor Verwendung den Schlauch gründlich prüfen.

#### VORSICHTSMASSNAHMEN:

- Scharfes Biegen oder Knicken des Hochdruckschlauches vermeiden, kleinster Biegeradius etwa 20 cm.
- Hochdruckschlauch nicht überfahren, sowie vor scharfen Gegenständen und Kanten schützen.
- Beschädigten Hochdruckschlauch sofort ersetzen.
- Niemals defekten Hochdruckschlauch selbst reparieren!
- Elektrostatische Aufladung von Spritzpistole und Hochdruckschlauch wird über den Hochdruckschlauch abgeleitet. Deshalb muss der elektrische Widerstand zwischen den Anschlüssen des Hochdruckschlauchs gleich oder kleiner ein Megaohm betragen.
- Aus Gründen der Funktion, Sicherheit und Lebensdauer, nur Titan-Original-Ersatzhochdruckschläuche verwenden.
- Vor jedem Einsatz alle Schläuche auf Einschnitte, Leckstellen, Scheuerstellen oder gewölbte Oberflächen kontrollieren. Die Kupplungen auf Unversehrtheit und festen Sitz kontrollieren. Schläuche unverzüglich ersetzen, wenn einer der oben genannten Fehler festgestellt wird. Einen Farbschlauch niemals reparieren. Einen defekten Schlauch durch einen geerdeten Hochdruckschlauch ersetzen.
- Achten Sie darauf, Spritzschläuche so zu verlegen, dass die Rutsch-, Stolper-, und Umfallgefahr minimiert wird.



### GEFAHR: EXPLOSIONS- UND BRANDGEFAHR



Brennbare Dämpfe, wie z. B. Dämpfe von Lösungsmitteln und Farben können sich in den Arbeitsbereichen entzünden oder explodieren.

#### VORSICHTSMASSNAHMEN:

- Verwenden Sie das Gerät ausschließlich in gut belüfteten Bereichen. Achten Sie auf ausreichende Frischluftzufuhr im gesamten Bereich, damit sich keine brennbaren Dämpfe in der Luft im Spritzbereich ansammeln können. Bewahren Sie die Pumpenbaugruppe in einem gut belüfteten Bereich auf. Besprühen Sie nicht die Pumpenbaugruppe.
- Nur Modelle mit Benzin - Befüllen Sie den Treibstofftank nicht, wenn der Motor läuft oder heiß ist; schalten Sie den Motor ab und lassen diesen abkühlen. Der Treibstoff ist brennbar und kann sich entzünden bzw. explodieren, wenn dieser mit einer heißen Oberfläche in Berührung kommt.
- Beseitigen Sie alle Zündquellen, wie z. B. Zündflammen, Zigaretten, tragbare elektrische Lampen und Plastikabdeckplanen (potenzieller elektrostatischer Lichtbogen).
- Halten Sie die Arbeitsbereiche frei von Verunreinigungen, einschließlich Lösungsmittel, Lappen und Benzin.
- Schließen Sie die Elektrozuleitungen nicht bzw. trennen diese nicht ab bzw. schalten Sie die Netzschalter bzw. Lichtschalter nicht ein bzw. aus, wenn sich brennbare Dämpfe entwickelt haben.
- Geräte und elektrisch leitfähige Gegenstände im Arbeitsbereich Stellen Sie sicher, dass die Erdungskette vorhanden ist und den Boden erreicht.
- Verwenden Sie ausschließlich geerdete Schläuche.
- Halten Sie die Spritzpistole fest an die Seite eines geerdeten Eimers, wenn Sie in den Eimer spritzen.
- Kommt es durch statische Aufladung zu Funkenbildung bzw. wenn Sie einen Stromschlag verspüren, brechen Sie den Vorgang umgehend ab.
- Sie müssen die Zusammensetzung der Farben und Lösungsmittel, die Sie spritzen möchten, kennen. Lesen Sie alle Material Sicherheitsdatenblätter (MSDS) und Behälterbeschriftungen von Farben und Lösungsmitteln durch. Befolgen Sie die Sicherheitsanweisungen des Farben- und Lösungsmittelherstellers.
- Verwenden Sie keine Farben bzw. Lösungsmittel, die Halogenkohlenwasserstoffe enthalten, wie z. B. Chlor, Bleiche, Antischimmelmittel, Methylenchlorid und Trichlorethan. Sie sind nicht kompatibel mit Aluminium. Setzen Sie sich mit dem Lieferanten der Beschichtung hinsichtlich der Kompatibilität des Materials mit Aluminium in Verbindung.
- Halten Sie im Arbeitsbereich einen Feuerlöscher bereit.



### GEFAHR: GEFÄHRLICHE DÄMPFE

Farben, Lösungsmittel und andere Materialien können beim Einatmen oder beim Kontakt mit dem Körper gesundheitsschädlich sein. Die Dämpfe können schwere Übelkeit, Ohnmacht und Vergiftungen verursachen.

#### VORSICHTSMASSNAHMEN :

- Bei Spritzarbeiten Atemschutz tragen. Alle mit der Gesichtsmaske mitgelieferten Anleitungen durcharbeiten, damit die Gesichtsmaske auch den gewünschten Schutz bietet.
- Dem Benutzer ist eine Atemschutzmaske zur Verfügung zu stellen (Berufs-Genossenschaftliche Regeln „Regeln für den Einsatz von Atemschutzgeräten“ (BGR 190).
- Arbeitsschutzbrille tragen.
- Zum Schutz der Haut sind Schutzkleidung, Handschuhe und eventuell Hautschutzcreme erforderlich (BGR 197 "Benutzung von Hautschutz"). Vorschriften der Hersteller beachten zu den Beschichtungsstoffen, Lösemittel und Reinigungsmittel bei Aufbereitung, Verarbeitung und Gerätereinigung.



### GEFAHR: ALLGEMEINES

Kann schwere Personen- oder Sachschäden verursachen.

#### VORSICHTSMASSNAHMEN :

- Alle lokalen sowie im Land bzw. Bundesland geltenden Vorschriften zum Brandschutz, zur Bedienung und Lüftung einhalten.
- Bei Betätigung des Auslösers zieht die Spritzpistole zur Seite. Diese Kraftwirkung der Spritzpistole ist besonders stark, wenn die Düse entfernt und bei der Pumpe hoher Druck eingestellt wurde. Bei der Reinigung mit abgeschraubter Düse daher den Druckreglerknopf auf den niedrigsten Druck einstellen.
- Nur vom Hersteller zugelassene Teile verwenden. Bei Verwendung von Teilen, die nicht die technischen Mindestanforderungen erfüllen, trägt der Benutzer alle Risiken und die gesamte Haftung. Dies gilt auch für die Sicherheitsvorrichtungen der Pumpe.
- IMMER die Hinweise des Herstellers zum sicheren Umgang mit Farben und Lösungsmitteln einhalten.
- Verschüttete Materialien und Lösemitteln sofort aufwischen, um Rutschgefahr zu vermeiden.
- Gehörschutz tragen. Dieses Gerät kann einen Schalldruck über 85 dB(A) erzeugen.

- Das Gerät niemals unbeaufsichtigt lassen. Kinder oder andere Personen, die mit dem Betrieb des druckluftlosen Spritzgeräts nicht vertraut sind, von dem Gerät fern halten.
- An windigen Tagen nicht im Freien spritzen.
- Das Gerät inklusive aller Flüssigkeiten (z.B. Hydrauliköl) müssen umweltgerecht entsorgt werden.

### 1.3 BENZINMOTOREN-BETRIEBSSICHERHEIT

1. Benzinmotoren sind so gebaut, dass sie sicher und verlässlich funktionieren, wenn sie gemäss der Instruktionen bedient werden. Vor der Bedienung des Motos muss das Besitzerhandbuch des Herstellers gelesen und verstanden werden. Bei Unterlassung kann Personenverletzung oder Materialschaden entstehen.
2. Um Feuergefahr zu vermeiden und genügend Ventilation zu erlauben, muss der Motor mindestens 1 Meter von Gebäuden und anderen Maschinen entfernt sein wenn er in Betrieb ist. Keine brennbaren Gegenstände in der Nähe des Motors aufbewahren.
3. Personen, die das Gerät nicht bedienen, dürfen den Betriebsbereich nicht betreten, da die Möglichkeit besteht Verbrennungen von heissen Motorenteilen oder Verletzungen durch Geräte, die zur Bedienung des Motors benutzt werden, zu erleiden.
4. Seien Sie vertraut damit, wie Sie den Motor schnell abstellen können und wissen Sie Bescheid über alle Bedienungselemente und deren Handhabung. Erlauben Sie niemandem, den Motor ohne sachgerechte Anleitung zu bedienen.
5. Benzin ist äusserst flammbar und unter bestimmten Bedingungen explosiv.
6. Tanken Sie Benzin nur in einem gut durchlüfteten Bereich nach, nachdem der Motor abgestellt wurde. Rauchen Sie nicht und erlauben Sie keine Flammen oder Funken im Bereich in welchem aufgetankt wird oder Benzin aufbewahrt wird.
7. Ueberfüllen Sie den Benzintank nicht. Nach dem Auftanken, vergewissern Sie sich, dass die Tankverschlusskappe richtig und sicher aufgeschraubt ist.
8. Seien Sie darauf bedacht, beim Auftanken kein Benzin zu verschütten. Benzindämpfe oder verschüttetes Benzin könnte sich entflammen. Falls Benzin verschüttet wurde, vergewissern Sie sich, dass der Bereich trocken ist, bevor Sie den Motor starten.
9. Lassen Sie den Motor nie in einem geschlossenen oder engen Bereich laufen. Abgase enthalten giftige Kohlenmonoxidgase; diesen ausgesetzt läuft man Gefahr das Bewusstsein zu verlieren und es kann sogar zu Tod führen.



- 10. Der Auspuff wird während des Laufens des Motors sehr heiss und bleibt nach abstellen des Motors noch für eine Weile heiss. Seien Sie darauf Bedacht, den Auspuff nicht zu berühren, solange er noch heiss ist. Um schwere Verbrennungen oder Feuergefahr zu vermeiden, lassen Sie den Motor abkühlen, bevor Sie ihn transportieren oder in einem Innenraum aufbewahren.
- 11. Verschiffen oder transportieren Sie die Sprühanlage niemals mit Benzin im Tank.

	Benutzen Sie diese Anlage NICHT um Wasser oder Säuren zu spritzen.
	Beim Auf- oder Abladen, nicht an der Deichsel halten. Gerät ist sehr schwer. Muss von drei Personen getragen werden.

#### 1.4 BETANKEN (BENZINMOTOR)

	Benzin ist äußerst entflammbar und unter bestimmten Bedingungen sogar explosiv.
--	---

#### TECHNISCHE ANGABEN ZUM TREIBSTOFF

- Verwenden Sie Benzin mit einer Mindest-Oktananzahl von 86 oder mit einer Mindest-Research-Oktananzahl von 91. Die Verwendung eines Treibstoffes mit einer geringeren Oktananzahl kann zu ständigem "Motorklopfen" oder starkem "Klopfen" (ein metallisches klopfendes Geräusch) führen, das zu einem Motorschaden führen kann, wenn dieser zu stark ist.

	Wechseln Sie die Treibstoffmarke, wenn das "Klopfen" oder "Motorklopfen" bei einer stetigen Motorgeschwindigkeit unter normaler Belastung auftritt. Bleibt das Klopfen bzw. Motorklopfen, setzen Sie sich mit einem autorisierten Händler des Motorherstellers in Verbindung. Bei Nichteinhaltung gilt dies als Fehlgebrauch und Schäden durch Fehlgebrauch sind nicht durch die Herstellergarantie gedeckt.  Gelegentlich entsteht ein leichtes Klopfen, wenn das Gerät stark belastet wird. Das ist kein Grund zur Beunruhigung. Dies bedeutet nur, dass der Motor effizient funktioniert.
--	--

- Bleifreier Treibstoff verursacht weniger Ablagerungen im Motor und in den Zündkerzen und verlängert die Lebensdauer der Komponenten des Abgassystems.
- Verwenden Sie niemals abgestandenes oder verschmutztes Benzin und/oder ein Öl-/Benzingemisch. Vermeiden Sie, dass Schmutz, Staub oder Wasser in den Treibstofftank gelangen.

#### KRAFTSTOFF AUS BENZIN-ALKOHOL-GEMISCH

Wenn Sie sich für einen Kraftstoff aus einem Benzin-Alkohol-Gemisch (Gasohol) entscheiden, müssen Sie darauf achten, dass dessen Oktanzahl mindest so hoch ist, wie diese vom Motorenhersteller empfohlen wird. Es gibt zwei Arten von Benzin-Alkohol-Gemisch: die eine enthält Ethanol und die andere Methanol. Verwenden Sie kein Gasohol, das mehr als 10% Ethanol enthält. Verwenden Sie kein Benzin-Methanol-Gemisch (Methyl oder Holzalkohol), das keine Zusatzlösungsmittel und Korrosionshemmstoffe für Methanol enthält. Verwenden Sie niemals Benzin, das mehr als 5 % Methanol enthält, auch dann nicht, wenn es Zusatzlösungsmittel und Korrosionshemmstoffe enthält.

	Eine Beschädigung des Treibstoffsystems bzw. Probleme mit der Motorenleistung, die aus der Verwendung von Treibstoff resultieren, der Alkohol enthält, werden von der Gewährleistung nicht gedeckt. Der Motorenhersteller kann nicht die Verwendung von Treibstoffen befürworten, die Methanol enthalten, das es noch nicht als erwiesen gilt, dass sich diese hierfür eignen.  Versuchen Sie herauszufinden, ob das Benzin Alkohol enthält, bevor Sie Benzin von einer Ihnen unbekanntem Tankstelle beschaffen. Falls dieses Alkohol enthält, überprüfen Sie die Art und den Anteil des verwendeten Alkohols. Stellen Sie bei der Verwendung von alkoholhaltigem Benzin bzw. von dem Sie annehmen, dass es Alkohol enthält, unerwünschtes Betriebsverhalten fest, stellen Sie auf ein Benzin um, von dem Sie wissen, dass es kein Alkohol enthält.
--	---



## 2 ANWENDUNGSÜBERSICHT

### 2.1 EINSATZGEBIETE

Diese Airless-Linienmarkierung ist ein leistungsstarkes Präzisionswerkzeug zum Besprühen zahlreicher Materialarten für viele Anwendungen, u.a. Parkplätze, Bordsteinkanten und Sportfelder.

Lesen und beachten Sie diese Bedienungsanleitung mit den entsprechenden Betriebs- und Wartungsanweisungen sowie Sicherheitshinweisen sorgfältig.

### 2.2 BESCHICHTUNGSSTOFFE

#### VERARBEITBARE BESCHICHTUNGSSTOFFE

Lacke mit Lösungsmitteln, Zweikomponenten-Beschichtungsmaterialien, Dispersions- und Latexfarben.

Die Verarbeitung anderer Beschichtungsstoffe sollte nur nach Rückfrage bei der Firma Titan erfolgen, da die Haltbarkeit und auch die Sicherheit des Gerätes dadurch beeinträchtigt werden können.



Achten Sie auf Airless-Qualität bei den zu verarbeitenden Beschichtungsstoffen.

#### VISKOSITÄT

Das Gerät ist in der Lage Beschichtungsstoffe mit einer Viskosität bis zu 20.000 mPas zu verarbeiten. Lässt die Spritzleistung bei hochviskosen Beschichtungsstoffen zu stark nach, so ist nach Herstellerangabe zu verdünnen.

Beschichtungsstoff vor Arbeitsbeginn gut umrühren.



Achtung: Beim Aufrühren mit motorgetriebenen Rührwerken darauf achten, dass keine Luftblasen eingerührt werden. Luftblasen stören beim Spritzen, können sogar zur Betriebsunterbrechung führen.

#### BESCHICHTUNGSSTOFFE MIT SCHARFKANTIGEN ZUSATZSTOFFEN

Diese Partikel üben auf Ventile und Düse, aber auch auf die Spritzpistole eine stark verschleißende Wirkung aus. Die Lebensdauer dieser Verschleißteile wird dadurch erheblich beeinträchtigt.

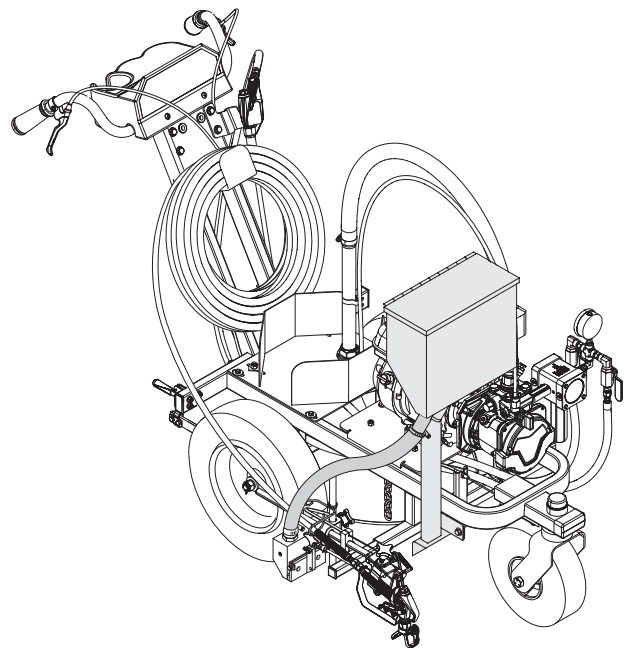
#### FILTERUNG

Für einen störungsfreien Betrieb ist eine ausreichende Filterung erforderlich. Das System ist mit einem Saugfilter, einem Einschubfilter in der/den Spritzpistole(n) und einem Hochdruckfilter am System ausgestattet. Eine regelmäßige Kontrolle dieser Filter auf Beschädigung oder Verschmutzung ist dringend zu empfehlen.

### 2.3 GLASPERLENSPENDER-SETS (FÜR SEPARATEN VERKAUF)



Fügen Sie ein optionales Glasperlenspendersystem hinzu, um retroreflektierende Glasperlen auf Verkehrs-/Flughafen-Farblinien aufzutragen. Der Spender wird direkt hinter der Spritzpistole montiert.



BESCHREIBUNG	BESTELL-NR.
1-Pistole-Kit und Farbtrichter, 10–15 cm Linienstärke	424-826
1-Pistole-Kit und Farbtrichter, 30 cm Linienstärke	424-840
Halterungssatz Perlstreuer (erforderlich für Perlstreuer)	290181

### 3 GERÄTEBESCHREIBUNG

#### 3.1 AIRLESS VERFAHREN

Hauptanwendungsgebiete sind dicke Schichten von höherviskosem Beschichtungsstoff bei großen Flächen und hohem Materialeinsatz.

Eine Kolbenpumpe saugt den Beschichtungsstoff an und fördert ihn unter Druck zur Düse. Bei einem Druck bis max. 228 bar (22,8 MPa) durch die Düse gepresst, zerstäubt der Beschichtungsstoff. Dieser hohe Druck bewirkt eine mikrofeine Zerstäubung des Beschichtungstoffes.

Da in diesem System keine Luft verwendet wird, bezeichnet man dieses Verfahren als AIRLESS-Verfahren (luftlos).

Diese Art zu spritzen bringt die Vorteile von feinsten Zerstäubung, nebelarmer Betriebsweise und glatter, blasenfreier Oberfläche. Neben diesen Vorteilen sind die Arbeitsgeschwindigkeit und die große Handlichkeit zu nennen.

#### 3.2 LISTE DER BEDIENUNGSANLEITUNGEN

Im Folgenden finden Sie eine Liste der verfügbaren Bedienungsanleitungen für dieses Gerät.

Online-Artikel können unter [www.titantool.com](http://www.titantool.com) heruntergeladen werden.

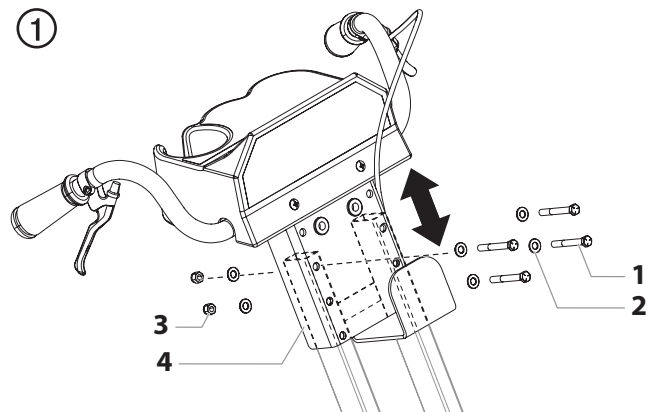
BESCHREIBUNG	FORM. #	SO FINDEN SIE ES
<b>Bedienungsanleitungen</b>		
GB/D/F	537832	• im Lieferumfang enthalten
E/I/P	537833	• online
NL/DK/S	537834	
CN/RU/RFB	537840	
<b>Servicehandbuch, Ersatzteile</b>		
GB/D/F	2429501	• online
E/I/P	2429502	
NL/DK/S	2429503	
CN/RU/RFB	2429504	
<b>Bedienungs-/Instandhaltungsanweisung, RX-80 Spritzpistole</b>		
Alle Sprachen	538800	• im Lieferumfang enthalten • online

#### 3.3 LENKERGRIFFE EINSTELLEN



Benutzer können die Lenkerhöhe für mehr Bedienkomfort einstellen.

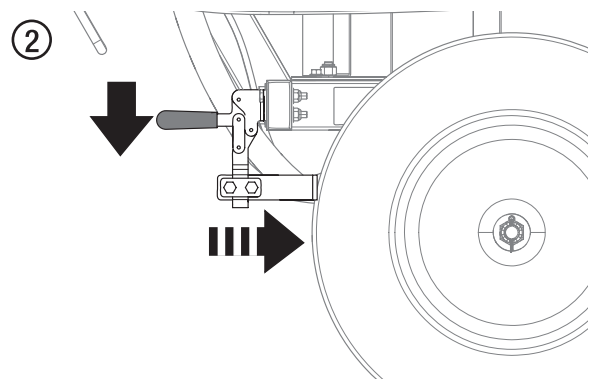
- Entfernen Sie die vier Schrauben (Abb. 1, Pos. 1), Unterlegscheiben (2) und Muttern (3), mit denen die Lenkerschweißung (4) am Rahmen befestigt ist.
- Schieben Sie die Lenkerschweißkonstruktion nach oben oder unten in ihre neue Position. Stellen Sie sicher, dass die Löcher in der Schweißkonstruktion mit den Löchern im Rahmen übereinstimmen.
- Befestigen Sie die Lenkerschweißkonstruktion mit den in Schritt 1 entfernten Schrauben, Unterlegscheiben und Muttern am Rahmen.





#### 3.4 HANDBREMSE



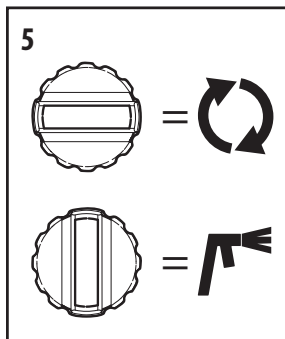
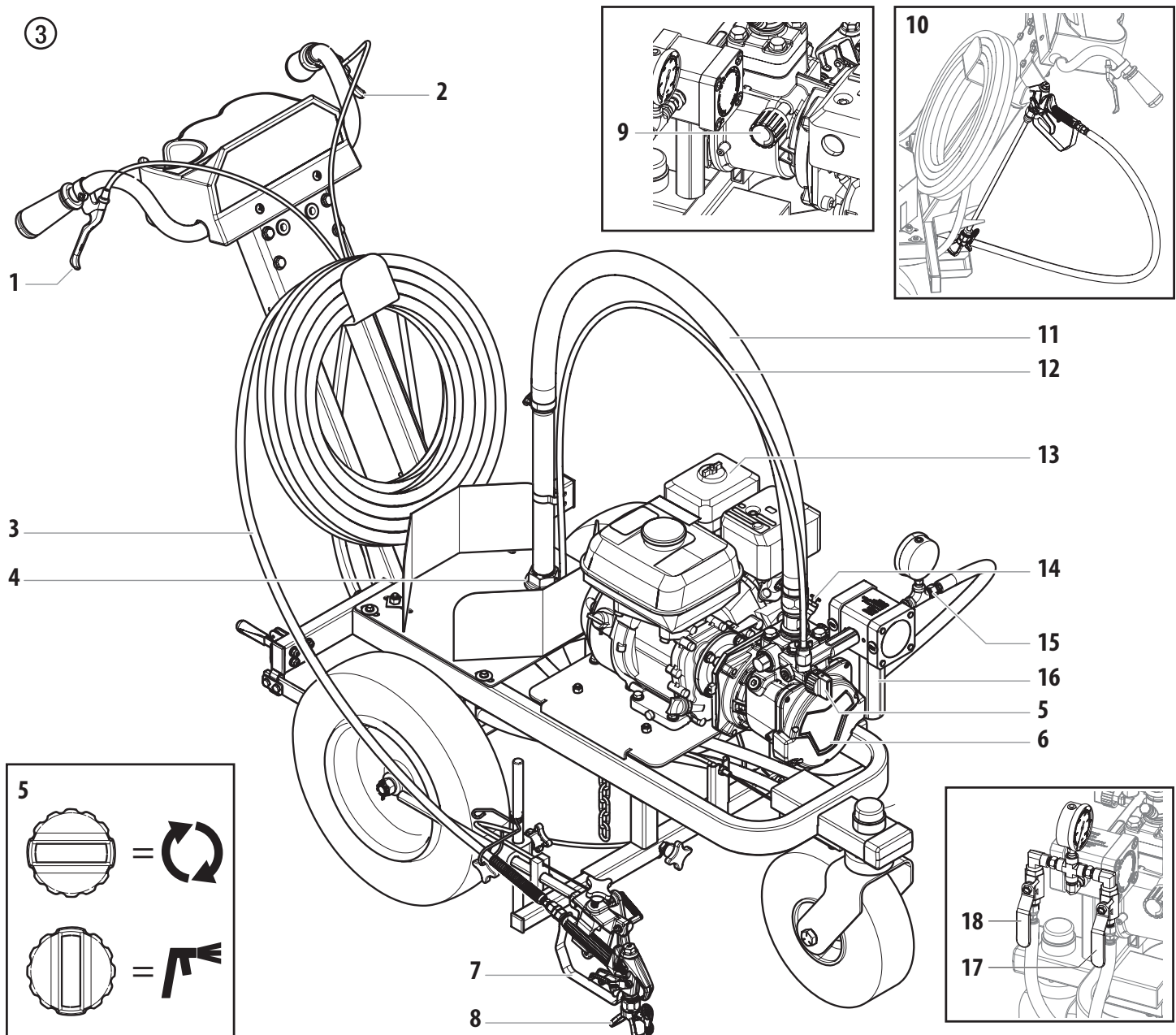
Ziehen Sie die Handbremse hinter dem rechten Hinterrad immer an, wenn Sie die Schablonierpistole verwenden oder wenn das Spritzgerät nicht verwendet wird, um ein versehentliches Herunterrollen auf einer unebenen Fläche zu verhindern.



### 3.5 ERKLÄRUNGSBILD

1. Pistolenauslöser
2. Gussauslöser
3. Hochdruckschlauch
4. Ansaugfilter
5. Entlastungsventil  
PRIME =   
SPRAY = 
6. Pumpenbaugruppe
7. Spritzpistole

8. Düsenschutzvorrichtung mit Airless Düse
9. Druckregler
10. Schablonenpistole (nur PL3500S)
11. Ansaugschlauch
12. Rücklaufschlauch
13. Benzinmotor
14. Kolben
15. Anschluss Hochdruckschlauch
16. Hochdruckfilter
17. Absperrventil der Markierungspistole (nur PL3500S)
18. Absperrventil der Schablonenpistole (nur PL3500S)



### 3.6 TECHNISCHE DATEN

<b>Benzinmotor, Leistung</b>	
min (empfohlen)	120cc (Honda)
<b>Tankinhalt</b>	
	0,66 US gal (2,5 l)
<b>Max. Betriebsdruck</b>	
	22,8 MPa (228 bar)
<b>Max. Volumenstrom</b>	
	2,8 l/min
<b>Volumenstrom bei 0,6 MPa (6 bar) mit Wasser</b>	
	2,3 l/min
<b>Max. zul. Temperatur des Beschichtungstoffs</b>	
	43 °C
<b>Materialschlauchanschluss</b>	
	1/4"-18 NPSM
<b>Max. Viskosität</b>	
	20.000 mPas
<b>Max. Düsendgröße</b>	
	0,027" – 0,68 mm
<b>Leergewicht</b>	
PL3500	87 kg
PL3500S	91 kg
<b>Abmessungen</b>	
	165 cm x 82.5 cm x 100.3 cm
<b>Hydrauliköl-Füllmenge</b>	
Hydraulikgehäuse	1,15 Liter
Getriebe	0,05 Liter
<b>Max. Vibration an der Spritzpistole</b>	
	kleiner 2,5 m/s <sup>2</sup>
<b>Max. Schalldruckpegel</b>	
	75 dB (A)*

\* Messort: Abstand 1m seitlich vom Gerät und 1,60m über dem Boden, 12 MPa (120bar) Betriebsdruck, schallharter Boden

#### BETRIEBSTEMPERATUR

Dieses Gerät funktioniert einwandfrei in seiner für ihn vorgesehen Raumtemperatur zwischen +10°C und +40°C.

#### RELATIVE FEUCHTIGKEIT

Das Gerät funktioniert in einem Umfeld mit einer relativen Feuchtigkeit von 50%, bei +40°C einwandfrei. Eine höhere relative Feuchtigkeit stellt bei niedrigeren Temperaturen kein Problem dar.

Der Käufer des Geräts muss Maßnahmen ergreifen, um die schädigenden Auswirkungen der gelegentlichen Kondensation zu vermeiden.

#### HÖHE

Dieses Gerät funktioniert in einer Höhe von bis zu 2100m über n.n. einwandfrei.



Das Honda-Service-Center kann eine Höhenausstattung hinzufügen, falls ein Höheneinsatz erforderlich ist.

#### TRANSPORT UND AUFBEWAHRUNG

Dieses Gerät hält Transport- bzw. Aufbewahrungstemperaturen von -25°C bis +55°C, kurzzeitig auch bis zu +70°C, stand bzw. ist dagegen geschützt.

Es wurde so verpackt, dass es Beschädigungen durch die Auswirkungen von normaler Feuchtigkeit, Erschütterungen und Stößen standhält.

## 4 BEDIENUNG



Diese Komponente produziert einen Flüssigkeitsstrom bei extrem hohem Druck. Lesen und verstehen Sie die Hinweise im Abschnitt über die Sicherheitsvorkehrungen am Anfang dieses Handbuchs, bevor Sie dieses Gerät benutzen.

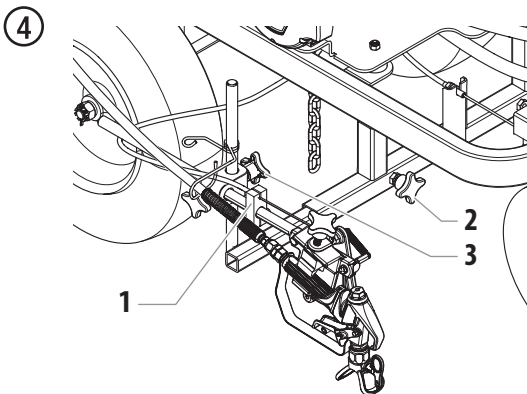
### 4.1 EINSTELLUNGEN

1. Stellen Sie sicher, dass der Ansaugschlauch und der Rücklaufschlauch angeschlossen und gesichert sind.
2. Positionieren Sie die Spritzpistole (Abb. 4).
  - a. Lösen Sie das Abzugskabel von der Spannklemme (1).



Das Abzugskabel muss vor Änderungen der Position der Spritzpistole immer von der Spannklemme gelöst werden.

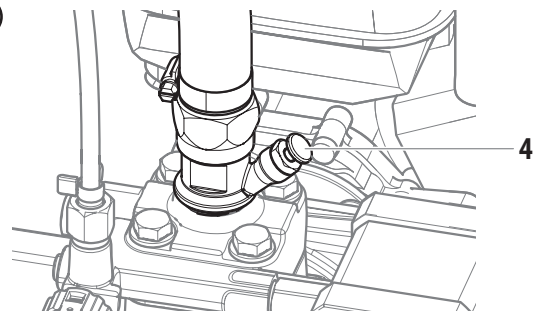
- b. Lösen Sie die Schelle der Haltevorrichtung (2) und schieben Sie die Pistolenhalteschiene in die gewünschte horizontale Position. Die Pistole sollte ausreichend weit entfernt eingestellt sein, so dass das Rad nicht durch das Sprühbild rollt.
- c. Lösen Sie die Klemme des Pistolensteigrohrs (3) und schieben Sie die Spritzpistole in die gewünschte vertikale Position.
- d. Bringen Sie das Abzugskabel erneut an der Spannklemme (1) an.



Die Höhe der Spritzpistole beeinflusst die Breite des Sprühmusters (d.h. je tiefer die Pistole, desto dünner die Linienbreite). Auch die Düsendgröße beeinflusst die Linienbreite.

3. Drücken Sie den Einlassventildrucker (Abb. 5, pos. 4) ganz nach unten, damit die Einlassventilkugel ganz frei ist.

⑤



4. Den Motorölstand täglich vor Inbetriebnahme des Spritzgerätes kontrollieren. Der Ölstand im Benzinmotor wird vom Motorhersteller festgelegt. Weitere Informationen finden Sie in der Bedienanleitung des Motorherstellers, die mit diesem Spritzgerät geliefert wurde.
5. Stellen Sie sicher, dass der Zerstäuber geerdet ist. Alle Sprühgeräte sind mit einer Erdungskette versehen. Stellen Sie sicher, dass die Kette bis zum Boden reicht. Prüfen Sie die lokalen Elektrovorschriften für detaillierte Anweisungen zur Erdung.



Eine richtige Erdung ist sehr wichtig. Beim Transport bestimmter Medien durch den Nylonschlauch entsteht eine elektrostatische Aufladung, die bei einer Entladung Lösungsmitteldämpfe entzünden und eine Explosion verursachen könnte.

6. Alle Farben mit einem Nylonvorfilter filtern, um einen problemfreien Betrieb sicherzustellen und eine häufige Reinigung des Zulaufsiebs und des Spritzpistolenfilters zu vermeiden.
7. Der Arbeitsbereich muss gut belüftet sein, um den gefährlichen Betrieb mit flüchtigen Lösungsmitteln oder Abgasen zu vermeiden.

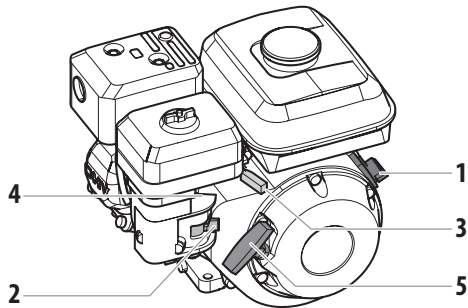
## 4.2 START DES BENZINMOTORS



Befolgen Sie die folgenden Anweisungen, wenn Sie in diesem Handbuch für das Anlassen des Motors dazu aufgefordert werden.

1. Den Hebel für das Benzinventil (Abb. 6, pos. 2) öffnen.
2. Drosselklappe (3) auf Mitte einstellen.
3. Den Choke hebel (4) bei kaltem Motor in die geschlossene oder bei warmem Motor in die offene Stellung bringen,
4. Den Motorschalter (1) in die Stellung ON (Ein) drehen.
5. Ruckartig an der Anlasserleine (5) ziehen, bis der Motor anspringt.

⑥



Wenn der Choke-Hebel (4) in die geschlossene Position bewegt wurde, um den Motor anzulassen, muss dieser wieder geöffnet werden, sobald der Motor läuft.

## 4.3 VORBEREITUNG EINES NEUEN SPRITZGERÄTS



Ist das Spritzgerät neu, wird es mit Testflüssigkeit im Flüssigkeitsbehälter ausgeliefert, um eine Korrosion während der Lieferung und Lagerung zu vermeiden. Diese Testflüssigkeit muss mit Spiritus gründlich aus dem System entfernt werden, bevor mit den Spritzarbeiten begonnen wird.



**Achtung**

Den Auslöser der Spritzpistole stets verriegelt lassen, während das System auf die Inbetriebnahme vorbereitet wird. Siehe Benutzerhandbuch Spritzpistole bezüglich der Abzugsverriegelung.

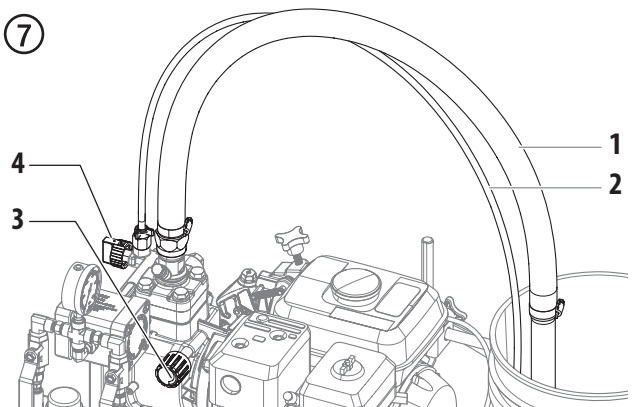


Die Spritzpistole darf noch nicht mit einem Düsenschutz oder einer Düse versehen sein.

**PL3500S-Modelle:** Achten Sie darauf, dass das Absperrventil der Schablonenpistole geschlossen ist, bevor Sie den Motor starten (der Ventilgriff muss senkrecht zum Schlauch stehen).

1. Ansaugschlauch (Abb. 7, Pos. 1) und Rücklaufschlauch (2) in einen Behälter mit Spiritus.
2. Druckregler (3) auf minimalen Druck drehen.
3. Entlastungsventil (4) öffnen, Ventilstellung PRIME (☉ Zirkulation).

⑦



4. Benzinmotor starten (siehe Abschnitt 4.2).
5. Abwarten bis Reinigungsmittel aus dem Rücklaufschlauch austritt.
6. Entlastungsventil schließen, Ventilstellung SPRAY (☒ Spritzen).
7. Entsperren Sie die Spritzpistole (siehe Handbuch Spritzpistole).
8. Halten Sie die Spritzpistole in einen offenen Abfallbehälter. Ziehen Sie den Pistolenauslöser an der rechten Lenkstange.
9. Reinigungsmittel aus dem Gerät in einen offenen, erdung Sammelbehälter spritzen.



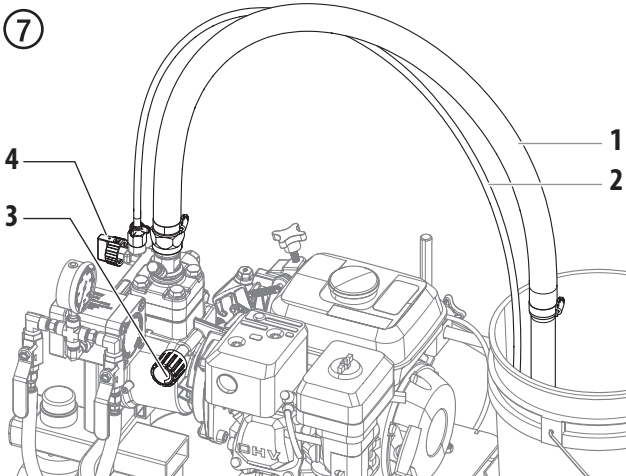
#### 4.4 VORBEREITUNG DER FARBE



Die Spritzpistole darf noch nicht mit einem Düsenschutz oder einer Düse versehen sein.

**PL3500S-Modelle:** Achten Sie darauf, dass das Absperrventil der Schablonenpistole geschlossen ist, bevor Sie den Motor starten (der Ventilgriff muss senkrecht zum Schlauch stehen).

1. Ansaugschlauch (Abb. 7, Pos. 1) und Rücklaufschlauch (2) in einen Behälter mit geeignetem Reinigungsmittel eintauchen.
2. Druckregler (3) auf minimalen Druck drehen.
3. Entlastungsventil (4) öffnen, Ventilstellung PRIME (↻ Zirkulation).
4. **PL3500S-Modelle:** Achten Sie darauf, dass das Ventil der Markierungspistole offen ist (der Ventilgriff muss parallel zum Schlauch stehen).



5. Benzinmotor starten (siehe Abschnitt 4.2).
6. Entlastungsventil schließen, Ventilstellung SPRAY (↖ Spritzen).
7. Halten Sie die Spritzpistole in einen offenen Abfallbehälter. Ziehen Sie den Pistolenauslöser an der rechten Lenkstange.
8. Spritzpistole mehrmals auslösen und in einen Sammelbehälter spritzen bis der Beschichtungsstoff ohne Unterbrechung aus der Spritzpistole austritt.



Die Spritzpistole gegen die Kante eines Metallbehälters drücken, um sie während der Spülung zu erden. Anderenfalls können sich elektrostatische Aufladungen bilden, die Brände verursachen können.

10



9. Sperren Sie die Pistole, indem Sie die Abzugsverriegelung auf die Verriegelungsposition stellen (siehe Handbuch Spritzpistole).
10. Den Düsenschutz und die Düse an der Spritzpistole anbauen. Dabei die Hinweise in den Bedienanleitungen für Düsenschutz und Düse beachten.



**GEFAHR EINER FLÜSSIGKEITSINJEKTION**  
Keine Spritzarbeiten ohne den Düsenschutz durchführen. Den Auslöser der Spritzpistole nur betätigen, wenn der Düsenschutz entweder in der Spritzposition oder in der Position zur Düsenreinigung steht. Den Spritzpistolenauslöser immer verriegeln, bevor die Düse entfernt, ersetzt oder gereinigt wird.

11. Druck erhöhen, Druckregler langsam höher drehen. Spritzbild prüfen, Druck erhöhen bis Zerstäubung einwandfrei ist. Druckregler immer auf die unterste Stellung bei noch guter Zerstäubung drehen.
12. Das Gerät ist spritzbereit.



Wird der Druck höher eingestellt, als zur Zerstäubung der Farbe erforderlich ist, kommt es zu vorzeitigem Düsenverschleiß und zu einem Übersprühen.

#### 4.5 BENUTZUNG DER SCHABLONENPISTOLE



Die Schablonenpistole wird für das freie Spritzen mit Schablonen, die auf den Boden gelegt werden, verwendet. Gehen Sie wie nachfolgend beschrieben vor.

1. Achten Sie darauf, dass alle die in 4.4 genannten Schritte ausgeführt werden.
2. Achten Sie darauf, dass der Abzug der Spritzpistole verriegelt ist, bevor Sie die Spritzpistole aus dem Halter nehmen (siehe Handbuch zur Spritzpistole).
3. Stellen Sie das Absperrventil der Markierungspistole auf die geschlossene Position (der Ventilgriff muss senkrecht zum Spritzschlauch stehen)
4. Stellen Sie das Absperrventil der Schablonenpistole auf die geschlossene Position (der Ventilgriff muss parallel zum Spritzschlauch stehen)
5. Die Schablonenpistole kann nun benutzt werden. Sobald Sie mit der Arbeit fertig sind, schließen Sie das Absperrventil und führen Sie das Druckentlastungsverfahren (Abschnitt 4.6) durch.



## 4.6 VORGEHENSWEISE BEI DRUCKENTLASTUNG



Bei Außerbetriebnahme des Spritzgeräts die Schritte für die Druckentlastung genau einhalten. Dies gilt auch für die Einstellung von Teilen oder Wartungsarbeiten an Teilen der Spritzanlage, für die Reinigung oder den Wechsel von Sprühdüsen und für die Vorbereitung auf die Reinigung.

1. Die Spritzpistole verriegeln. Dazu den Spritzpistolenabzug in die verriegelte Stellung bringen.
2. Den Druck auf Minimum einstellen. Dazu den Druckreglerknopf ganz nach links drehen,
3. Entlastungsventil öffnen, Ventilstellung PRIME (↻ Zirkulation).
4. Den Drosselklappenhebel in die Position für niedrige Drehzahl bringen und
5. Den Motorschalter in die Stellung OFF (Aus) drehen.
6. Die Spritzpistole entriegeln. Dazu die Verriegelung des Spritzpistolenauslösers in die entriegelte Stellung bringen (siehe Handbuch Spritzpistole).
7. Das Metallteil der Spritzpistole fest auf die Seitenwand eines Metallabfallbehälters drücken, um die Spritzpistole zu erden und elektrostatische Aufladungen zu vermeiden.
8. Den Auslöser der Spritzpistole drücken, um eventuell noch im Schlauch vorhandenen Druck abzubauen.
9. Die Spritzpistole verriegeln. Dazu die Verriegelung des Spritzpistolenauslösers in die verriegelte Stellung bringen (siehe Handbuch Spritzpistole).

## 4.7 DAS LAUFRAD BEDIENEN



Das Laufrad ist so konzipiert, dass das Straßenmarkiergerät entweder einer geraden Linie folgt oder freie Bewegungen erlaubt.

Wenn man hinter dem Markiergerät steht befindet sich der Einstellungshebel des Laufrades am linken Handgriff.

1. Um das Laufrad in der Position "gerade Linie" einzurasten, drücken Sie kurz den Einstellungshebel und bewegen Sie das Markiergerät nach vorne.
2. Um freie Bewegung zu ermöglichen, drücken und halten Sie den Einstellungshebel.

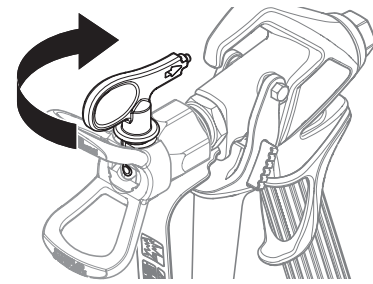
## 4.8 EINE VERSTOPFTE DÜSE REINIGEN



Ist die Applikation verzerrt bzw. tritt gar kein Material mehr aus, wenn der Abzug betätigt wird, ist wie folgt vorzugehen.

1. Entlastungsventil öffnen, Ventilstellung PRIME (↻ Zirkulation).
2. Wenn die Düse verstopft ist, rotieren Sie den Düsenhalter um 180° bis der Pfeil auf dem Halter in die gegengesetzte Richtung zur Spritzrichtung zeigt und der Halter in die umgekehrte Position einklinkt (Abb. 9).
3. Entlastungsventil schließen, Ventilstellung SPRAY (↖ Spritzen).

⑨




4. Lösen Sie die Spritzpistole einmal aus, so dass der Luftdruck die Verstopfung ausblasen kann. Lösen Sie die Spritzpistole in der umgekehrten Position NIEMALS mehr als EINMAL kurz aus. Diese Prozedur kann so oft wiederholt werden, bis die Düse nicht mehr verstopft ist.





Der Ausfluss aus der Spritzdüse geschieht unter hohem Druck. Kontakt zu einem Körperteil kann gefährlich sein. Keinen Finger an die Düse legen. Die Spritzpistole nie auf eine Person richten. Die Spritzpistole nie ohne die richtige Düsen-Schutzabdeckung bedienen.



### 4.9 ARBEITSUNTERBRECHUNG

	Befolgen Sie die folgenden Schritte, wenn Sie die Arbeiten für bis zu 20 Stunden unterbrechen.
---	--

1. Die in dieser Bedienanleitung im Abschnitt Betrieb beschriebenen Schritte zur „Druckentlastung“ ausführen (Abschnitt 4.6).
2. Legen Sie die Spritzpistole in eine Plastiktüte oder in einen mit Wasser gefüllten Eimer.
3. Je nach Ausführung Ansaugschlauch und Rücklaufschlauch im Beschichtungsmittel eingetaucht lassen oder in ein entsprechendes Reinigungsmittel einschnenken oder eintauchen.
4. Decken Sie das Beschichtungsmaterial mit Kunststoff ab und stellen das Gerät an einen kühlen, dunklen Ort, damit das Material nicht austrocknet.

 <b>Achtung</b>	Beim Einsatz von schnelltrocknenden – oder Zweikomponenten-Beschichtungsmittel, Gerät unbedingt innerhalb der Verarbeitungszeit mit geeignetem Reinigungsmittel durchspülen
	Entfernen Sie die Kunststoffabdeckung vom Materialbehälter, wenn Sie wieder Spritzarbeiten durchführen möchten, und befolgen Sie die Schritte in Abschnitt 4.4.

### 4.10 HANDHABUNG DES HOCHDRUCKSCHLAUCHES



	Dieses Gerät ist mit einem Hochdruckschlauch ausgestattet, der sich speziell für Airless-Pumpen eignet.
	Verletzungsgefahr durch undichten Hochdruckschlauch. Beschädigten Hochdruckschlauch sofort ersetzen. Niemals defekten Hochdruckschlauch selbst reparieren!

Der Hochdruckschlauch ist sorgsam zu behandeln. Scharfes Biegen oder Knicken vermeiden, kleinster Biegeradius etwa 20 cm.



Hochdruckschlauch nicht überfahren, sowie vor scharfen Gegenständen und Kanten schützen.

Niemals am Hochdruckschlauch ziehen, um das Gerät zu bewegen.

Darauf achten, dass der Hochdruckschlauch sich nicht verdreht. Durch Verwendung einer Titan Spritzpistole mit Drehgelenk und einer Schlauchtrommel kann dies verhindert werden.

	Bei alten Hochdruckschläuchen steigt das Risiko von Beschädigungen. Titan empfiehlt den Hochdruckschlauch nach 6 Jahren auszutauschen.
	Aus Gründen der Funktion, Sicherheit und Lebensdauer nur TITAN Original-Hochdruckschläuche verwenden.

## 5 REINIGUNG


 <p><b>Achtung</b></p>	<p>Das Spritzgerät, der Schlauch und die Spritzpistole müssen jeden Tag gründlich gereinigt werden, Geschieht dies nicht, kann sich die Farbe absetzen und die Leistung des Gerätes erheblich beeinträchtigen.</p>
	<p>Immer mit möglichst niedrigem Druck sprühen, wenn der Düsenschutz der Spritzpistole abgebaut ist und das Spritzgerät, der Schlauch oder die Spritzpistole mit Spiritus oder anderen Lösungsmittel gereinigt werden. Elektrostatische Aufladungen können zu Bränden oder Explosionen führen, wenn entzündliche Dämpfe vorhanden sind.</p>

### 5.1 BESONDERE REINIGUNGSHINWEISE BEI VERWENDUNG ENTFLAMMBARER LÖSUNGSMITTEL

- Die Spritzpistole stets im Freien und möglichst eine Schlauchlänge von der Sprühpumpe entfernt spülen.
- Werden die zur Spülung verwendeten Lösungsmittel in einem Metallbehälter von etwa 4 l Fassungsvermögen aufgefangen, diesen in einen Behälter mit einem Fassungsvermögen von etwa 20 l stellen und erst dann weiter spülen.
- Im Arbeitsbereich dürfen sich keine entzündlichen Dämpfe sammeln.
- Alle Reinigungshinweise beachten.


### 5.2 REINIGUNG DES SPRITZGERÄTS

1. Die in dieser Bedienanleitung im Abschnitt Betrieb beschriebenen Schritte zur „Druckentlastung“ ausführen (Abschnitt 4.6).
2. Düse und Düsenschutz abbauen und mit einem Pinsel und einem geeigneten Lösungsmittel reinigen.
3. Das den Siphonschlauch in einen Behälter mit dem geeigneten Lösungsmittel hängen.


 <p><b>Achtung</b></p>	<p>Bei der Entfernung von Lackfarben auf Ölbasis, Lacken, Steinkohlenteer und Epoxidharzen nur kompatible Lösungsmittel verwenden. Lassen Sie sich vom Hersteller ein geeignetes Lösungsmittel empfehlen.</p>
---	---

4. Den Ablassschlauch in einen Metallabfallbehälter hängen.
5. Den Druck auf Minimum einstellen. Dazu den Druckreglerknopf ganz nach links drehen.
6. Entlastungsventil (4) öffnen, Ventilstellung PRIME (↻ Zirkulation).


7. Benzinmotor starten (siehe Abschnitt 4.2).
8. Das Lösungsmittel durch das Spritzgerät zirkulieren lassen und die Farbe über den Ablassschlauch in einen Metallabfallbehälter entleeren und spülen.
9. Entlastungsventil schließen, Ventilstellung SPRAY (↖ Spritzen).

	<p>Die Spritzpistole gegen die Kante eines Metallbehälters drücken, um sie während der Spülung zu erden. Anderenfalls können sich elektrostatische Aufladungen bilden, die Brände verursachen können.</p>
---	---


10. Die ausgelöste Spritzpistole in den Metallabfallbehälter halten und betätigen, bis die Farbe aus dem Schlauch gespült ist und nur noch Lösungsmittel aus der Spritzpistole austritt.
11. Die ausgelöste Spritzpistole weiter in den Abfallbehälter halten, bis nur noch sauberes Lösungsmittel aus der Spritzpistole austritt.

	<p>Bei einer langfristigen Lagerung bei kaltem Wetter oder bei Aussetzung gegenüber Gefriertemperaturen, pumpen Sie Lösungsbenzin durch das gesamte System.</p> <p>Bei einer kurzfristigen Lagerung, die bei Verwendung von Latexfarbe keinen Gefriertemperaturen ausgesetzt ist, pumpen Sie mit Titan Liquid Shield gemischtes Wasser durch das gesamte System (Anweisungen zur Verdünnung finden Sie im Abschnitt Zubehör in diesem Handbuch für die Teilenummer und das Produktetikett).</p>
--	---

12. Die in dieser Bedienanleitung im Abschnitt Betrieb beschriebenen Schritte zur „Druckentlastung“ ausführen (Abschnitt 4.6).
13. Das Sprühgerät an einem trockenen, sauberen Ort aufbewahren.


 <p><b>Achtung</b></p>	<p>Das Spritzgerät nicht unter Druck lagern.</p>
---	--

### 5.3 GERÄTEREINIGUNG VON AUSSEN

 <p><b>Achtung</b></p>	<p>Gerät niemals mit Hochdruck- oder Dampfhochdruckreiniger abspritzen.</p> <p>Hochdruckschlauch nicht in Lösemittel einlegen. Außenseite nur mit einem getränkten Tuch abwischen.</p>
---	--

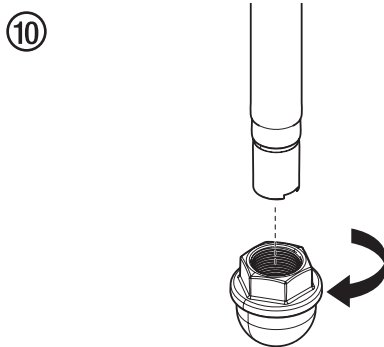
Gerät außen mit einem in geeignetem Reinigungsmittel getränkten Tuch abwischen.

### 5.4 ANSAUGFILTER


	<p>Ein sauberer Ansaugfilter gewährleistet stets maximale Fördermenge, konstanten Spritzdruck und einwandfreies Funktionieren des Gerätes.</p>
---	--

1. Filter (Abb. 10) vom Ansaugrohr abschrauben.
2. Filter reinigen oder austauschen.

Reinigung mit einem harten Pinsel und entsprechendem Reinigungsmittel durchführen.

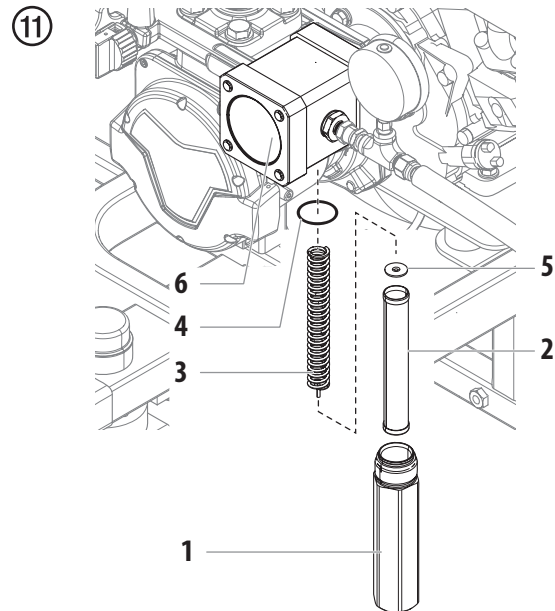



### 5.5 HOCHDRUCKFILTER REINIGEN

	<p>Filterpatrone regelmäßig reinigen. Ein verschmutzter oder verstopfter Hochdruckfilter verursacht ein schlechtes Spritzbild oder eine verstopfte Düse.</p>
---	--

1. Die in dieser Bedienanleitung im Abschnitt Betrieb beschriebenen Schritte zur „Druckentlastung“ ausführen (Abschnitt 4.6).
2. Filtergehäuse (Abb. 11, Pos. 1) mit Bandschlüssel abschrauben.

3. Filterpatrone (2) von der Stützfeder (3) abziehen.
4. Alle Teile mit entsprechendem Reinigungsmittel reinigen. Wenn notwendig, Filterpatrone austauschen.
5. O-Ring (4) prüfen, wenn notwendig austauschen.
6. Stützscheibe (5) an die Stützfeder (3) anlegen. Filterpatrone (2) über die Stützfeder schieben.
7. Filtergehäuse (1) einschrauben und mit Bandschlüssel bis zum Anschlag anziehen.



 <p><b>Achtung</b></p>	<p>Der Pulsationsdämpfer (6) hat eine lebenslange Garantie.</p> <p>Der Pulsationsdämpfer enthält Stickstoffgas und darf niemals geöffnet werden. Eine Manipulation des Pulsationsdämpfers (d. h. das Entfernen der vier Schrauben auf der Vorderseite des Pulsationsdämpfers) macht die lebenslange Garantie ungültig.</p> <p>Wenden Sie sich an den Technischen Kundendienst von Titan unter 1-800-526-5362, wenn Sie glauben, dass der Pulsationsdämpfer einen Service benötigt.</p>
---	--

## 5.6 REINIGUNG DER AIRLESS-SPRITZPISTOLE



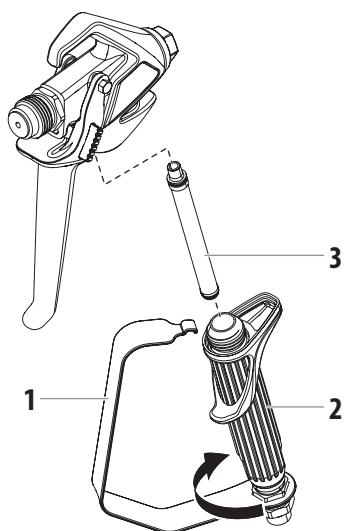
Reinigen Sie die Spritzpistole nach jeder Benutzung.

1. Airless-Spritzpistole bei niedrigem Betriebsdruck mit geeignetem Reinigungsmittel durchspülen.
2. Düse gründlich mit geeignetem Reinigungsmittel reinigen, so dass keine Beschichtungsstoffreste zurückbleiben.
3. Airless-Spritzpistole außen gründlich reinigen.

### EINSTECKFILTER IN DER AIRLESS-SPRITZPISTOLE (ABB. 12)

1. Lösen Sie die obere Seite des Abzugsschutzes (1) vom Pistolenkopf.
2. Verwenden Sie die Unterseite des Abzugsschutzes als Schraubenschlüssel, lösen Sie mit diesem den Handgriff (2) und entfernen diesen vom Pistolenkopf.
3. Den alten Filter (3) aus dem Spritzpistolenkopf ziehen. Reinigen oder tauschen Sie diesen aus.
4. Den neuen Filter mit dem konischen Ende zuerst in den Spritzpistolenkopf einschieben.
5. Den Griff so weit in den Spritzpistolenkopf einschieben, bis er fest sitzt. Ziehen Sie diesen mit dem Abzugsschraubenschlüssel fest.
6. Lassen Sie den Abzugsschutz wieder in den Pistolenkopf einrasten.

12



## 6 WARTUNG

### 6.1 ALLGEMEINE WARTUNG



Aus Sicherheitsgründen ist eine jährliche Inspektion durch Fachleute dringend empfohlen. Beachten Sie hierzu auch alle gültigen nationalen Vorschriften. In Deutschland ist diese Überprüfung (inkl. Nachweis) von der Berufsgenossenschaft zwingend vorgeschrieben.

#### MINDESTPRÜFUNGEN VOR JEDER INBETRIEBNAHME

1. Überprüfen Sie die Anschlüsse des Hochdruckschlauchs und der Spritzpistole.

#### PRÜFUNGEN IN REGELMÄSSIGEN ABSTÄNDEN

1. Einlass- und Auslassventil auf Verschleiß prüfen, reinigen und Verschleißteile auswechseln.
2. Filtereinsätze (Spritzpistole, Ansaugsystem sowie den Pumpenfilter) reinigen gegebenenfalls ersetzen.

### 6.2 HOCHDRUCKSCHLAUCH

Hochdruckschlauch optisch auf eventuell vorhandene Einschnitte oder Ausbeulungen, insbesondere am Übergang in die Armatur, prüfen. Überwurfmutter müssen sich frei drehen lassen. Die Leitfähigkeit von kleiner 1 Mega Ohm muss über der gesamten Länge vorhanden sein.



Achtung

Alle elektrischen Prüfungen vom Titan-Service durchführen lassen.



Bei alten Hochdruckschläuchen steigt das Risiko von Beschädigungen. Titan empfiehlt den Hochdruckschlauch nach 6 Jahren auszutauschen.

### 6.3 EINFACHER UNTERHALT DES MOTORS (BENZINMOTOR)

- Für detaillierter Unterhalt und technische Spezifikationen verweisen wir Sie auf das separate Handbuch für Benzinmotoren.
- Alle Wartungen am Motor sollen von einem vom Motorenhersteller bevollmächtigten Händler durchgeführt werden.
- Benutzen Sie hochwertiges Motorenöl. Für den generellen Gebrauch in allen Temperaturen wird 10W30 empfohlen. Andere Klimaverhältnisse erfordern vielleicht andere Viskositäten.
- Verwenden Sie nur eine (NGK) BR-6HS Zündkerze. Der Abstand in der Zündkerze sollte 0,028 bis 0,031 In. (0,7 bis 0,8 mm) betragen. Immer einen Zündkerzenschlüssel benutzen.

#### TÄGLICH

1. Motorenölstand überprüfen und wenn nötig auffüllen.
2. Benzinstand überprüfen und wenn nötig auffüllen.



Zum Auftanken immer die Arbeitsschritte, die vorab in diesem Handbuch erklärt wurden ausführen.

#### ERSTE 20 STUNDEN

- Motorenöl wechseln.

#### ALLE 100 STUNDEN

- Motorenöl wechseln.
- Sedimentbecher reinigen.
- Zündkerze reinigen und den Abstand wiederherstellen.
- Funkenableiter reinigen.

#### WÖCHENTLICH

- Die Luftfilterabdeckung entfernen und das Element reinigen. In sehr staubiger Umgebung muss der Filter täglich überprüft werden. Das Element wenn nötig ersetzen. Ersatzelemente können beim örtlichen Händler für diesen Motorenhersteller erworben werden.

### BEDIENUNG UND WARTUNG DES MOTORS

- Luftfiltermatte des Benzinmotors alle 25 Stunden oder einmal wöchentlich reinigen und ölen. Das Luftansaugsieb um das Schwungrad im Benzinmotor soll nicht mit Farbe oder Abfall aufgefüllt werden. Reinigen Sie es regelmässig. Die Lebensdauer und Arbeitsleistung des Benzinmotorenmodells beruht auf dem richtigen Betrieb des Benzinmotors. Das Öl alle 100 Stunden wechseln. Nichteinhaltung dessen kann zu Ueberhitzung des Motors führen. Beachten Sie das mitgelieferte Bedienungshandbuch des Herstellers.
- Um Benzin zu sparen, Lebensdauer zu verlängern und die Leistung des Spritzgerätes zu bewahren soll der Benzinmotor immer auf der tiefstmöglichen Drehzahl laufen, auf der er gleichmässig und ohne Anstrengung läuft und die gewünschte Menge Farbe ausstösst, die für die jeweilige Malarbeit erforderlich ist. Höhere Drehzahlen erzeugen nicht höheren Arbeitsdruck.
- Die Garantie für die Benzinmotoren ist auf den Originalhersteller beschränkt.

### 6.4 TYPISCHE VERSCHLEISSTEILE

Trotz Verwendung hochwertiger Materialien ist durch die stark abrasive Wirkung der Farben mit Verschleiß an folgenden Teilen zu rechnen:

#### EINLASSVENTIL (Ersatzteil Bestell-Nr: 2393043)

Austausch siehe Punkt 7.2

(Ausfall bemerkbar durch Leistungsverlust und/oder schlechtes bzw. kein Ansaugen - eine gründliche Reinigung kann auch schon zu einer Verbesserung führen)

#### AUSLASSVENTIL (Ersatzteil Bestell-Nr: 2413371)

Austausch siehe Punkt 7.3

**6.5 HILFE BEI STÖRUNGEN**

<b>Art der Störung</b>	<b>Was noch?</b>	<b>Mögliche Ursache</b>	<b>Maßnahmen zur Behebung der Störung</b>
Gerät startet nicht		Kein Öl im Motor	Motor mit Motoröl befüllen
Gerät saugt nicht an	Keine Luftblasen treten am Rücklaufschlauch aus	Einlassventil verklebt	Drücken Sie den Einlassventildrucker mehrmals von Hand bis zum Anschlag
		Einlass- Auslassventil verschmutzt/ Fremdkörper eingesogen / verschlissen	Demontieren Sie die Ventile und reinigen Sie sie (-> siehe Pkt.7.2/7.3) / verschlissenen Teile ersetzen
		Druckregelventil ganz zurückgedreht	Drehen Sie das Druckregelventil bis zum Anschlag nach rechts.
	Luftblasen treten aus dem Rücklaufschlauch aus	Gerät saugt Nebenluft	Kontrollieren Sie: Ansaugsystem fest angezogen? Reinigungsstutzen am starren Ansaugrohr dicht verschraubt? Einlassventildrucker undicht? -> Abstreifer und O-Ring tauschen (-> siehe Pkt.7.1)
Gerät erzeugt keinen Druck	Gerät hat angesaugt	Luft im Ölkreislauf	Ölkreislauf im Gerät entlüften, dazu Druckregelventil ganz nach links drehen (bis zum Überdrehen) und ca. 2-3 min laufen lassen, danach Druckregelventil nach rechts drehen und Spritzdruck einstellen (Vorgang evtl. mehrmals wiederholen).
	Gerät ist auf Druck gekommen, jedoch beim Spritzen bricht der Druck	Ansaugfilter verstopft	Kontrollieren Sie den Ansaugfilter / evtl. reinigen / ersetzen
		Farbe in diesem Zustand nicht verarbeitbar, die Farbe verklebt durch ihre Eigenschaften die Ventile (Einlassventil) und die Förderleistung ist zu gering	Farbe verdünnen
	Gerät ist auf Druck gekommen, jedoch beim Spritzen bricht der Spritzstrahl zusammen	verstopfte Filter lassen zu wenig Farbe durch	(Hochdruckfilter wenn vorhanden), Pistolenfilter kontrollieren / reinigen
		Düse verstopft	Düse reinigen
	Gerät erzeugt nicht den max. möglichen Druck, am Rücklaufschlauch tritt trotz Spritzstellung Farbe aus	Entlastungsventil defekt	Wenden Sie sich an den Titan Kundendienst.
Schlechtes Spritzbild		Öffnung verstopft (-> siehe Seite 36, pos. 1 im Servicehandbuch)	Öffnung austauschen (Ersatzöffnung im Literaturset enthalten)



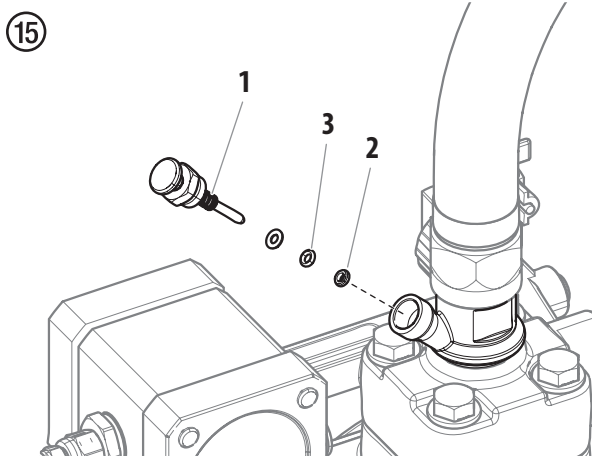
## 7 REPARATUREN AM GERÄT



Führen Sie auf jeden Fall das Druckentlastungsverfahren durch, siehe Abschnitt 4.6, bevor Sie Reparaturarbeiten durchführen.

### 7.1 EINLASSVENTILDRÜCKER

1. Einlassventildrücker mit Schlüssel (17mm) heraus-schrauben (Abb. 15, pos 1).
2. Abstreifer (2) und O-Ring (3) austauschen.

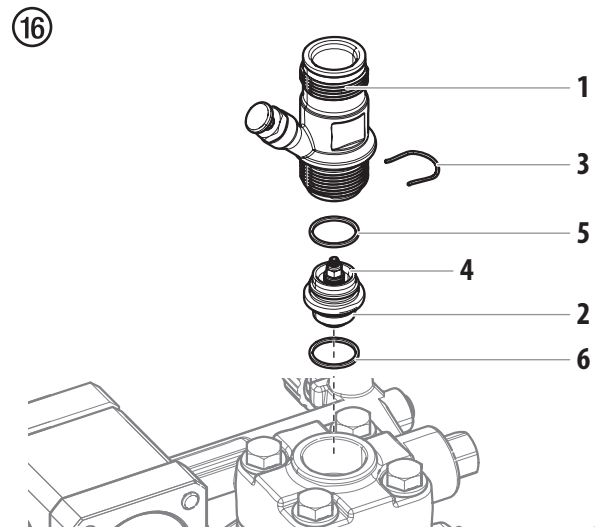


### 7.2 EINLASSVENTIL

1. Beiliegenden Schlüssel (30mm) am Drückergehäuse (Abb. 16, pos. 1) ansetzen.
2. Mit leichten Hammerschlägen auf das Schlüsselende das Drückergehäuse (1) lösen.
3. Drückergehäuse mit Einlassventil (2) aus der Farbstufe heraus-schrauben.
4. Spange (3) mit beiliegendem Schraubendreher abziehen.
5. Beiliegenden Schlüssel (30mm) am Einlassventil (2) ansetzen. Unter Drehen Einlassventil vorsichtig herausziehen.
6. Ventilsitz (4) mit Reinigungsmittel und Pinsel reinigen (darauf achten, dass keine Pinselhaare zurückbleiben).
7. Dichtungen (5, 6) reinigen und auf Beschädigungen prüfen, eventuell austauschen.
8. Alle Ventileile auf Beschädigung kontrollieren. Bei sichtbarem Verschleiß Einlassventil austauschen.

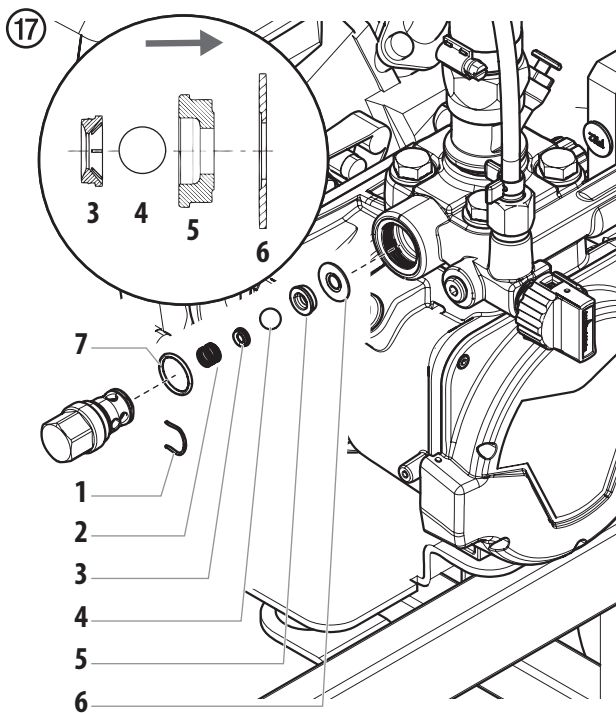
### MONTAGE

1. Einlassventil (2) in das Drückergehäuse (1) einsetzen und mit Spange (3) sichern. Darauf achten, dass (schwarze) Dichtung (5) im Drückergehäuse montiert ist.
2. Einheit aus Drückergehäuse und Einlassventil in die Farbstufe einschrauben. Die gleiche (schwarze) Dichtung (6) muss in der Farbstufe montiert sein.
3. Drückergehäuse mit Schlüssel (30mm) anziehen und mit drei leichten Hammerschlägen auf das Schlüsselende festziehen (entspricht ca. 90 Nm Anzugsmoment).



### 7.3 AUSLASSVENTIL

1. Auslassventil mit Schlüssel (22mm) aus der Farbstufe herauschrauben.
2. Vorsichtig Spange (1) mit Schraubendreher abziehen, Druckfeder (2) drückt Kugel (4) und Ventilsitz (5) heraus.
3. Einzelteile reinigen oder austauschen.
4. O-Ring (7) auf Beschädigung prüfen.
5. Auf Einbaulage achten bei Montage von Federstützring (3) (wird in Druckfeder (2) eingeklipst), Auslass-Ventilsitz (5) und Dichtring (6), -> siehe Abbildung.
6. Das Auslassventil mit 60 Nm anziehen.



# Attention!

## Danger de blessure par injection de produit!

Les groupes "Airless" produisent des pressions de projection extrêmement élevées.



**1**

**Ne jamais exposer les doigts, les mains ou d'autres parties du corps au jet!**

**Ne jamais diriger le pistolet vers soi, vers d'autres personnes ou vers des animaux.**

**Utiliser toujours le pistolet muni de sa protection.**

**Ne traitez pas une blessure par injection comme simple coupure. En cas de blessure de la peau par l'injection de peintures ou de solvants, consultez sans retard un médecin. Renseignez le médecin sur la nature de la peinture ou du solvant utilisés.**

**2**

**Avant toute mise en service, respecter les points suivants conformément aux instructions de service:**

1. Ne jamais utiliser un équipement défectueux.
2. Verrouiller le pistolet Titan par le levier de sécurité à la gâchette.
3. Assurer la mise à la terre correcte.
4. Vérifier et respecter les pressions admissibles pour le flexible et le pistolet.
5. Contrôler l'étanchéité de tous les raccords.

**3**

**Respecter sans faute les instructions relatives au nettoyage et à l'entretien réguliers du matériel.**

**Avant toute intervention sur le matériel et pendant chaque interruption de travail, observer les règles suivantes:**

1. Evacuer la pression du pistolet et du flexible.
2. Verrouiller le pistolet Titan par le levier de sécurité à la gâchette.
3. Arrêter le groupe.

# Ne négligez pas la sécurité!

<b>1</b>	<b>PRESCRIPTIONS DE SÉCURITÉ POUR LA PROJECTION AIRLESS</b>	<b>48</b>	<b>5</b>	<b>NETTOYAGE</b>	<b>61</b>
1.1	Explication des symboles utilisés	48	5.1	Consignes spéciales de nettoyage lors de l'utilisation du pistolet avec des solvants inflammables	61
1.2	Dangers pour la sécurité	48	5.2	Nettoyage du pulvérisateur	61
1.3	Sécurité du moteur à essence	50	5.3	Nettoyage extérieur du groupe	62
1.4	Ravitaillement (moteur à essence)	51	5.4	Filtre d'aspiration	62
<b>2</b>	<b>GÉNÉRALITÉS D'UTILISATION</b>	<b>52</b>	5.5	Nettoyage du filtre haute pression	62
2.1	Domaines d'utilisation	52	5.6	Nettoyage du pistolet Airless	63
2.2	Produits de revêtement	52	<b>6</b>	<b>MAINTENANCE</b>	<b>63</b>
2.3	Kits de distribution de perles de verre (vendus séparément)	52	6.1	Maintenance générale	63
<b>3</b>	<b>DESCRIPTION DU MATÉRIEL</b>	<b>53</b>	6.2	Tuyau flexible haute pression	63
3.1	Le procédé Airless	53	6.3	Entretien de base du moteur (moteur à essence)	64
3.2	Liste des manuels d'instructions	53	6.4	Pièces d'usure typiques	64
3.3	Réglage du guidon	53	6.5	Aide en cas de pannes	65
3.4	Frein à main	53	<b>7</b>	<b>RÉPARATIONS SUR L'APPAREIL</b>	<b>66</b>
3.5	Illustration	54	7.1	Poussoir de la vanne d'aspiration	66
3.6	Caractéristiques techniques	55	7.2	Vanne d'aspiration	66
<b>4</b>	<b>FONCTIONNEMENT</b>	<b>56</b>	7.3	Clapet de refoulement	67
4.1	Montage	56	<b>ACCESSOIRES</b>	<b>68</b>	
4.2	Démarrage du moteur	57	<b>POSITIONS DU PISTOLET DE PULVÉRISATION</b>	<b>69</b>	
4.3	Préparation d'un nouveau vaporisateur	57	<b>BUSES DE RAYAGE</b>	<b>70</b>	
4.4	Préparation avant de peindre	58	<b>TABLEAU DE BUSE DE RAYAGE</b>	<b>72</b>	
4.5	Utilisation du pistolet pour pochoir (modèle PL3500S uniquement)	58	<b>GARANTIE</b>	<b>75</b>	
4.6	Procédure de décharge de pression	59			
4.7	Fonctionnement de la roulette avant	59			
4.8	Nettoyage d'une buse obstruée	59			
4.9	Interruptions de travail	60			
4.10	Manipulation du flexible à haute pression	60			

# 1 PRESCRIPTIONS DE SÉCURITÉ POUR LA PROJECTION AIRLESS

## 1.1 EXPLICATION DES SYMBOLES UTILISÉS

Veuillez lire et être sûr de comprendre toutes les informations contenues dans ce manuel avant d'utiliser l'appareil. Lorsque vous pénétrez dans une zone qui contient les symboles suivants, soyez particulièrement vigilant et vérifiez que les systèmes de sécurité sont bien installés.



→ Ce symbole indique un risque potentiel pouvant entraîner des blessures graves ou même mortelles. Vous trouverez ci-après d'importantes consignes de sécurité.



Attention

→ Ce symbole indique un risque potentiel pour vous ou pour l'appareil. D'importantes informations sur la manière d'éviter tout dommage de l'équipement ou d'éviter des blessures légères sont indiquées ci-après.



→ Danger de blessure par injection de produit



→ Danger d'incendie



→ Risque d'explosion



→ Vapeurs toxiques et/ou inflammables. Danger d'intoxication et de brûlure



→ Les notes contiennent des informations qui doivent être consciencieusement respectées.



→ **AVERTISSEMENT! AVERTISSEMENT EN FONCTION DE LA PROPOSITION 65 DE LA CALIFORNIE**

Cet appareil peut vous exposer à des produits chimiques, y compris le plomb, reconnu par l'État de la Californie pour causer le cancer, des anomalies congénitales ou d'autres troubles de la reproduction.

L'échappement des moteurs des modèles ayant un moteur à essence peut vous exposer au monoxyde de carbone, reconnu par l'État de la Californie pour causer le cancer, des anomalies congénitales ou d'autres troubles de la reproduction.

Pour de plus amples renseignements, consultez le site Web [www.P65warnings.ca.gov](http://www.P65warnings.ca.gov).

## 1.2 DANGERS POUR LA SÉCURITÉ



### RISQUE : BLESSURE PAR PROJECTION

Un courant de liquide à haute pression produit par cet équipement peut percer la peau et les tissus sous-cutanés, et entraîner des blessures graves ou une amputation.

Ne traitez pas une blessure par injection comme simple coupure. En cas de blessure de la peau par l'injection de peintures ou de solvants, consultez sans retard un médecin. Renseignez le médecin sur la nature de la peinture ou du solvant utilisés.

### PRÉVENTION :

- NE dirigez JAMAIS le pistolet vers une partie du corps, quelle qu'elle soit.
- NE laissez JAMAIS une partie du corps entrer en contact avec le flux de liquide. NE laissez JAMAIS votre corps au contact d'une fuite dans le tuyau de liquide.
- NE placez JAMAIS vos mains devant le pistolet. Les gants ne constituent pas un rempart suffisant contre les blessures par projection.
- Bloquez TOUJOURS la gâchette du pistolet, éteignez la pompe et vidangez toute la pression avant toute opération d'entretien, avant de nettoyer une buse ou une protection, avant de changer une buse ou si vous laissez l'appareil sans surveillance. La pression ne s'évacue pas simplement en éteignant le moteur. La vanne PRIME/SPRAY ou la vanne de décharge de la pression doivent être placées dans les positions souhaitées pour vidanger la pression.
- Conservez TOUJOURS la protection de la buse en place lorsque vous pulvérisiez. La protection de la buse fournit une certaine protection mais il s'agit principalement d'un système d'alarme.
- Enlevez TOUJOURS la buse de pulvérisation avant de rincer ou de nettoyer le système.
- N'utilisez JAMAIS un pistolet pulvérisateur sans blocage de gâchette et sans protection de gâchette.
- Tous les accessoires doivent pouvoir travailler à la pression de travail maximale du pulvérisateur ou au-dessus. Ceci concerne les buses de pulvérisation, les pistolets, les rallonges et le tuyau.



### RISQUE : FLEXIBLE À HAUTE PRESSION

Le tuyau de peinture peut présenter des fuites dues à l'usure, aux pincements et aux mauvaises utilisations. Toute fuite peut entraîner une projection de matériau dans la peau. Vérifiez soigneusement le tuyau avant chaque utilisation.

#### PRÉVENTION :

- Il faut éviter de trop plier le flexible; le plus petit rayon ne doit pas être inférieur à 20 cm.
- Protéger le flexible contre le passage de véhicules et éviter le frottement sur des arêtes vives.
- Remplacer immédiatement tout tuyau à haute pression endommagé.
- Ne jamais essayer de réparer un flexible endommagé!
- La charge électrostatique du pistolet et du flexible est évacuée par ce dernier. Pour cette raison, la résistance électrique entre les raccords du flexible doit être égale ou inférieure à 1 mégaohm.
- Pour des raisons de fonctionnement, de sécurité et de durée utile utiliser exclusivement des flexibles à haute pression originaux de Titan.
- Avant chaque utilisation, vérifiez que les tuyaux ne présentent ni coupures, ni fuites, ni signes d'abrasion ou de renflement du revêtement. Vérifiez l'état et le mouvement des raccords. Remplacez immédiatement les tuyaux s'ils sont en mauvais état. Ne réparez jamais un tuyau de peinture. Remplacez-le par un tuyau à haute pression relié à la masse.
- Assurez vous que le tuyau à air et les tuyaux de pulvérisation sont disposés de façon à éviter les risques de glissade, de trébuchement ou de chute.



### RISQUE : EXPLOSION ET INCENDIE

Les vapeurs inflammables, telles que les vapeurs de solvant et de peinture, dans une zone de travail peuvent s'enflammer ou exploser.

#### PRÉVENTION :

- Servez-vous de l'équipement dans un endroit bien aéré. Faites circuler beaucoup d'air frais dans l'endroit afin d'éviter l'accumulation de vapeurs inflammables dans la zone de pulvérisation. Entreposez l'ensemble de la pompe dans un endroit bien aéré. Ne pulvérisez pas l'ensemble de la pompe.
- Modèles à essence uniquement - Ne faites jamais le plein lorsque le moteur est en marche ou chaud. Éteignez le moteur et laissez-le refroidir. L'essence est inflammable. Elle peut s'enflammer ou exposer si on en renverse sur une surface chaude.
- Éliminez toutes les sources d'inflammation, comme les veilleuses, les cigarettes, les lampes électriques portatives et les toiles de protection en plastique (risque d'arc statique).
- Gardez la zone de travail exempte de débris, y compris des solvants, des chiffons et d'essence.
- Ne branchez ou ne débranchez pas les cordons d'alimentation, ne mettez pas l'appareil en marche, n'allumez ou n'éteignez pas les lumières lorsque des vapeurs inflammables sont présentes.
- Mettez à terre l'équipement et les objets conducteurs dans la zone de travail. Assurez-vous que la chaîne de mise à la terre est en place et atteint le sol.
- Utilisez uniquement des tuyaux mis à la terre.
- Tenez le pistolet de pulvérisation fermement contre le côté d'un seau mis à la terre lorsque vous pulvérisez dans le seau.
- S'il y a production d'étincelles statiques ou si vous ressentez un choc, arrêtez le fonctionnement immédiatement.
- Soyez au courant du contenu de la peinture et des solvants à pulvériser. Lisez toutes les fiches signalétiques (FS) et les étiquettes des récipients de peinture et de solvant. Suivez les consignes de sécurité du fabricant de peinture et du solvant.
- N'utilisez pas de peinture ou de solvant contenant des hydrocarbures hydrogénés, comme du chlore, de l'eau de Javel, un agent anti-moisissure, du chlorure de méthylène et du trichloroéthane. Ils ne sont pas compatibles avec l'aluminium. Communiquez avec le fournisseur de revêtement au sujet de la compatibilité du produit avec l'aluminium.
- Gardez un extincteur dans la zone de travail.



### RISQUE : VAPEURS DANGEREUSES

Les peintures, solvants, et autres matériaux peuvent être nocifs en cas d'inhalation ou de contact avec la peau. Les vapeurs peuvent entraîner de sérieuses nausées, des syncopes ou des empoisonnements.

#### PRÉVENTION :

- Pendant le travail de protection porter un masque respiratoire. Lisez attentivement toutes les instructions fournies avec le masque pour vous assurer qu'il fournit bien la protection nécessaire.
- Tous les règlements locaux en matière de protection contre les vapeurs toxiques doivent être respectés.
- Portez des protections oculaires.
- Pour protéger la peau il est nécessaire de porter des vêtements de protection, des gants et d'utiliser éventuellement une crème de protection de la peau. Observer les prescriptions des fabricants au sujet des produits de peinture, de nettoyage et des solvants pendant la préparation, la mise en oeuvre et le nettoyage du matériel.



### RISQUE : GÉNÉRALITÉS

peut entraîner des blessures sévères ou des dégâts matériels.

#### PRÉVENTION :

- Respectez toutes les réglementations locales et nationales concernant la ventilation, la prévention des incendies et le fonctionnement.
- Lorsque vous appuyez sur la détente, il se produit un mouvement de recul de la main qui tient le pistolet pulvérisateur. Le recul du pistolet pulvérisateur est particulièrement puissant lorsque la buse a été démontée et lorsque la pompe sans air a été réglée sur une pression élevée. Lors du nettoyage sans buse, réglez donc le bouton de contrôle de la pression sur la pression minimale.
- N'utilisez que des pièces de rechange d'origine. L'utilisateur assume tous les risques s'il utilise des pièces qui ne correspondent pas aux spécifications minimales et aux dispositifs de sécurité du fabricant de la pompe.
- Respectez TOUJOURS les consignes du fabricant du matériau pour manipuler la peinture et les solvants en toute sécurité.
- Nettoyez immédiatement les matériaux tombés et le solvant déversé accidentellement, afin d'éviter les risques de glissade.



- Munissez-vous d'une protection auditive. Le bruit émis par cet appareil peut dépasser les 85 dB(A).
- Ne laissez jamais cet outil sans surveillance. Tenez-le hors de portée des enfants ou des personnes non familiarisées avec le fonctionnement des équipements sans air.
- Ne vaporisez pas à l'extérieur en cas de vent.
- L'appareil et tous ses liquides (p. ex., huile hydraulique) doivent être détruits sans danger pour l'environnement.

### 1.3 SÉCURITÉ DU MOTEUR À ESSENCE


1. Les moteurs à essence sont conçus pour offrir un service sûr et stable à condition d'être utilisés conformément aux instructions. Lisez attentivement et assurez-vous de bien comprendre le Manuel d'utilisateur du fabricant du moteur avant d'utiliser le moteur. Dans le cas contraire, vous pourriez vous blesser ou endommager l'équipement.
2. En vue d'éviter tout risque d'incendie et de fournir une ventilation adéquate, conservez le moteur à 1 mètre (3 pieds) minimum de tout bâtiment et de tout autre équipement pendant son fonctionnement. Ne placez pas d'objets inflammables à proximité du moteur.
3. Les personnes qui n'utilisent pas l'appareil doivent s'en éloigner afin d'éviter le risque de brûlures des composantes chaudes du moteur ou le danger de blessures provenant de l'équipement utilisé pour faire fonctionner l'appareil.
4. Sachez comment arrêter rapidement le moteur, et veillez à bien comprendre le fonctionnement de toutes les commandes. N'autorisez jamais personne à utiliser le moteur sans prendre connaissance des instructions adéquates.
5. L'essence est un produit extrêmement inflammable pouvant exploser sous certaines conditions.
6. Faites le plein d'essence dans une zone suffisamment ventilée, le moteur à l'arrêt. Ne fumez pas et évitez tout flamme ou étincelle dans la zone d'alimentation en essence ou dans le lieu où est stockée l'essence.
7. Ne remplissez pas trop le réservoir d'essence. Après avoir fait le plein d'essence, assurez-vous que le couvercle du réservoir est correctement et solidement refermé.
8. Faites attention à ne pas répandre de l'essence lors du remplissage du réservoir. Les vapeurs d'essence ou l'essence répandue sont susceptibles de s'enflammer. Si vous venez à déverser de l'essence, assurez-vous que la zone est bien sèche avant de mettre le moteur en marche.
9. Ne faites jamais fonctionner le moteur dans un espace clos ou confiné. L'échappement contient du monoxyde de carbone toxique ; toute exposition pourrait occasionner une perte de connaissance, voire entraîner la mort.



10. Le pot d'échappement devient extrêmement chaud pendant le fonctionnement et reste chaud pendant un certain moment même après l'arrêt du moteur. Veillez à ne pas toucher le pot d'échappement lorsqu'il est chaud. En vue d'éviter de sérieuses brûlures ou des risques d'incendie, laissez refroidir le moteur avant de le transporter ou de le ranger à l'intérieur.
11. Ne déplacez / transportez jamais le pulvérisateur lorsqu'il y a de l'essence dans le réservoir.


	N'UTILISEZ PAS cet appareil pour pulvériser de l'eau ou de l'acide.
	Ne vous servez pas de la poignée du chariot pour soulever lors du chargement ou du déchargement. L'appareil est très lourd. Trois personnes sont nécessaires pour les soulever.

#### 1.4 RAVITAILLEMENT (MOTEUR À ESSENCE)

	L'essence est extrêmement inflammable et explosive dans certaines conditions.
---	---

#### SPÉCIFICATIONS DU CARBURANT


- Utilisez une essence automobile ayant un indice d'octane d'au moins 86, ou un indice d'octane recherche d'au moins 91. L'utilisation d'une essence ayant un indice d'octane inférieur peut causer un « cognement » ou une « détonation » (un bruit d'ébranlage métallique) tenace qui, s'il est grave, peut endommager le moteur.

	S'il y a un « cognement » ou une « détonation » à une vitesse constante avec une charge normale, utilisez une autre marque d'essence. Si vous obtenez toujours un cognement ou une détonation, consultez un distributeur agréé du fabricant de moteurs. Le fait de ne pas suivre cette directive constitue un abus. Les dommages causés par l'abus ne sont pas couverts par la garantie restreinte du fabricant du moteur.  Il se peut que vous entendiez parfois une détonation légère pendant le fonctionnement avec des charges lourdes. Il n'y a aucune raison de s'inquiéter, cela signifie simplement que votre moteur fonctionne de façon efficiente.
---	--

- L'essence sans plomb produit moins de dépôts du moteur et de la bougie, et rallonge la durée de vie des composantes du système d'échappement.
- Ne jamais utiliser de l'essence éventée ou contaminée, ou un mélange d'huile et d'essence. Évitez de laisser entrer de la saleté, de la poussière ou de l'eau dans le réservoir à essence.

#### ESSENCES CONTENANT DE L'ALCOOL

Si vous décidez d'utiliser une essence qui contient de l'alcool (gasohol), assurez-vous qu'elle a au moins un indice d'octane correspondant à celui qui est recommandé par le fabricant du moteur. Il existe deux types de « gasohol » : un type contient de l'éthanol, tandis que l'autre contient du méthanol. N'utilisez pas un gasohol qui contient plus de 10 % d'éthanol. N'utilisez pas d'essence qui contient du méthanol (alcool méthylique ou de bois), mais qui n'inclut pas également des cosolvants et des inhibiteurs de corrosion pour le méthanol. N'utilisez jamais de l'essence qui contient plus de 5 % de méthanol, même si elle contient également des cosolvants et des inhibiteurs de corrosion.

	Les dommages au système d'alimentation ou les problèmes de rendement du moteur découlant de l'utilisation d'essences contenant de l'alcool ne sont pas couverts par la garantie. Le fabricant du moteur ne peut pas approuver l'utilisation d'essences contenant du méthanol étant donné que leur adaptation n'a pas encore été éprouvée.  Avant d'acheter de l'essence d'une station-service inconnue, essayez de savoir si l'essence contient de l'alcool. Si elle en contient, confirmez le type d'alcool utilisé, ainsi que le pourcentage inclus. Si vous remarquez des caractéristiques de fonctionnement indésirables lorsque vous utilisez une essence qui contient de l'alcool, ou que vous croyez qu'elle contient de l'alcool, utilisez une essence dont vous êtes certains qu'elle ne contient pas d'alcool.
--	--

## 2 GÉNÉRALITÉS D'UTILISATION

### 2.1 DOMAINES D'UTILISATION

Cet appareil sans air à peindre les lignes est un outil électrique de précision utilisé pour pulvériser de nombreux types de produit pour de nombreuses applications, notamment des stationnements, des bordures et des terrains de sport.


Lisez soigneusement les renseignements sur la notice d'utilisation, l'entretien et la sécurité, et suivez-les.

### 2.2 PRODUITS DE REVÊTEMENT

#### PRODUITS DE REVÊTEMENT UTILISABLES


Des peintures contenant des solvants, des matériaux de revêtement à deux composants, des peintures dispersion et au latex.

Mise en œuvre d'autres produits seulement avec l'accord de Titan.

	Veiller à la qualité Airless des produits utilisés.
---	---

#### VISCOSITÉ

L'appareil permet de mettre en œuvre des produits de revêtement d'une viscosité jusqu'à 20.000 mPas. Si le débit de pulvérisation diminue fortement pour des produits de revêtement de haute viscosité, diluer conformément aux indications du fabricant.

	Si le produit est remué avec un agitateur mécanique, éviter la formation de bulles d'air dans le produit qui pourraient entraîner des arrêts de fonctionnement.
---	---


#### PRODUITS DE REVÊTEMENT AVEC ADDITIFS À ARÊTES VIVES

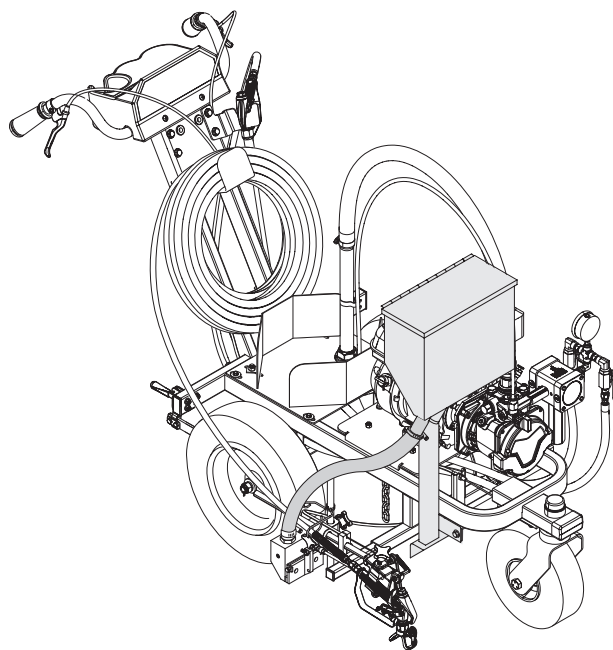
Ces particules exercent une forte action abrasive sur les vannes et la buse, ainsi que sur le pistolet de pulvérisation. La durée de vie de ces pièces d'usure en est fortement réduite.

#### FILTRATION

Une filtration suffisante est nécessaire pour un fonctionnement sans perturbation. L'appareil est muni d'un filtre d'aspiration, d'un filtre d'insertion dans le pistolet de pulvérisation et d'un filtre à haute pression. Un contrôle régulier de ces filtres pour détérioration ou encrassement est instamment recommandé.

### 2.3 KITS DE DISTRIBUTION DE PERLES DE VERRE (VENDUS SÉPARÉMENT)

	Ajoutez un système de distribution de perles de verre en option pour déposer des perles de verre rétro-réfléchissantes sur les lignes de peinture du trafic/aéroport. Le distributeur est monté directement derrière le pistolet de pulvérisation.
---	--



DESCRIPTION	NO DE COMMANDE
Trousse pour 1 pistolet avec trémie, largeur de ligne de 10 à 15 cm	424-826
Trousse pour 1 pistolet avec trémie, largeur de ligne de 30 cm	424-840
Trousse de support pour distributeur de perles (nécessaire pour le distributeur de perles)	290181

### 3 DESCRIPTION DU MATÉRIEL

#### 3.1 LE PROCÉDÉ AIRLESS

Le domaine principal d'utilisation est l'application de couches épaisses de produits visqueux sur grandes surfaces avec débit élevé.

La pompe à piston aspire le produit et le refoule sous pression vers la buse. En passant par l'orifice de la buse avec une pression de maximum 22,8 MPa (228 bar) le produit est éclaté en très fines particules.

Etant donné l'absence d'air dans ce système, il est connu sous le nom „AIRLESS“ (sans air).

Ce procédé de projection comporte les avantages tels que pulvérisation très fine, peu de brouillard, surfaces lisse sans bulles. A part de ces avantages, il y a lieu de mentionner la vitesse de travail et la maniabilité.

#### 3.2 LISTE DES MANUELS D'INSTRUCTIONS

Ce qui suit est une liste des manuels d'instructions disponibles pour cet appareil.

Les articles en ligne peuvent être téléchargés à [www.titantool.com](http://www.titantool.com)

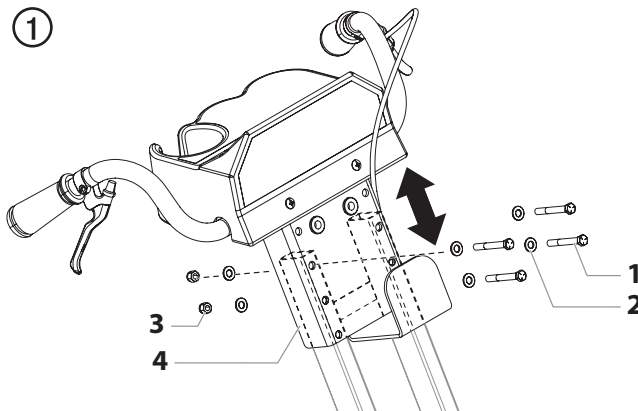
DESCRIPTION	FORM .#	COMMENT TROUVER
<b>Mode d'emploi</b>		
GB/D/F	537832	• inclus avec l'unité
E/I/P	537833	• en ligne
NL/DK/S	537834	
CN/RU/RFB	537840	
<b>Manuel d'entretien, pièces de rechange</b>		
GB/D/F	2429501	• en ligne
E/I/P	2429502	
NL/DK/S	2429503	
CN/RU/RFB	2429504	
<b>Manuel d'utilisation/d'entretien, pistolet de pulvérisation RX-80</b>		
Toutes les langues	538800	• inclus avec l'unité • en ligne

#### 3.3 RÉGLAGE DU GUIDON



Les utilisateurs peuvent ajuster la hauteur du guidon pour un confort opérationnel.

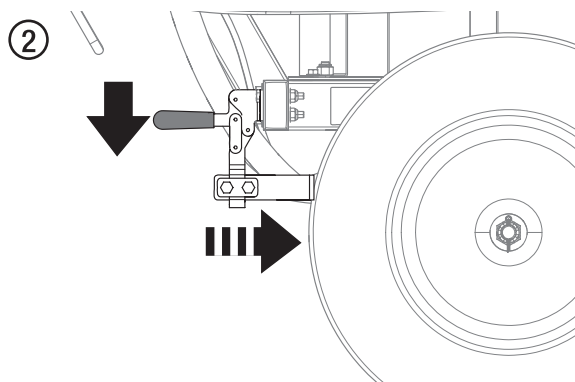
1. Retirez les quatre boulons (Fig. 1, pos 1), les rondelles (2) et les écrous (3) qui fixent l'ensemble soudé du guidon (4) au cadre.
2. Faites glisser l'ensemble soudé du guidon vers le haut ou vers le bas jusqu'à sa nouvelle position. Assurez-vous que les trous de l'ensemble soudé sont alignés avec les trous du cadre.
3. Fixez l'ensemble soudé du guidon au cadre à l'aide des boulons, rondelles et écrous retirés à l'étape 1.





#### 3.4 FREIN À MAIN



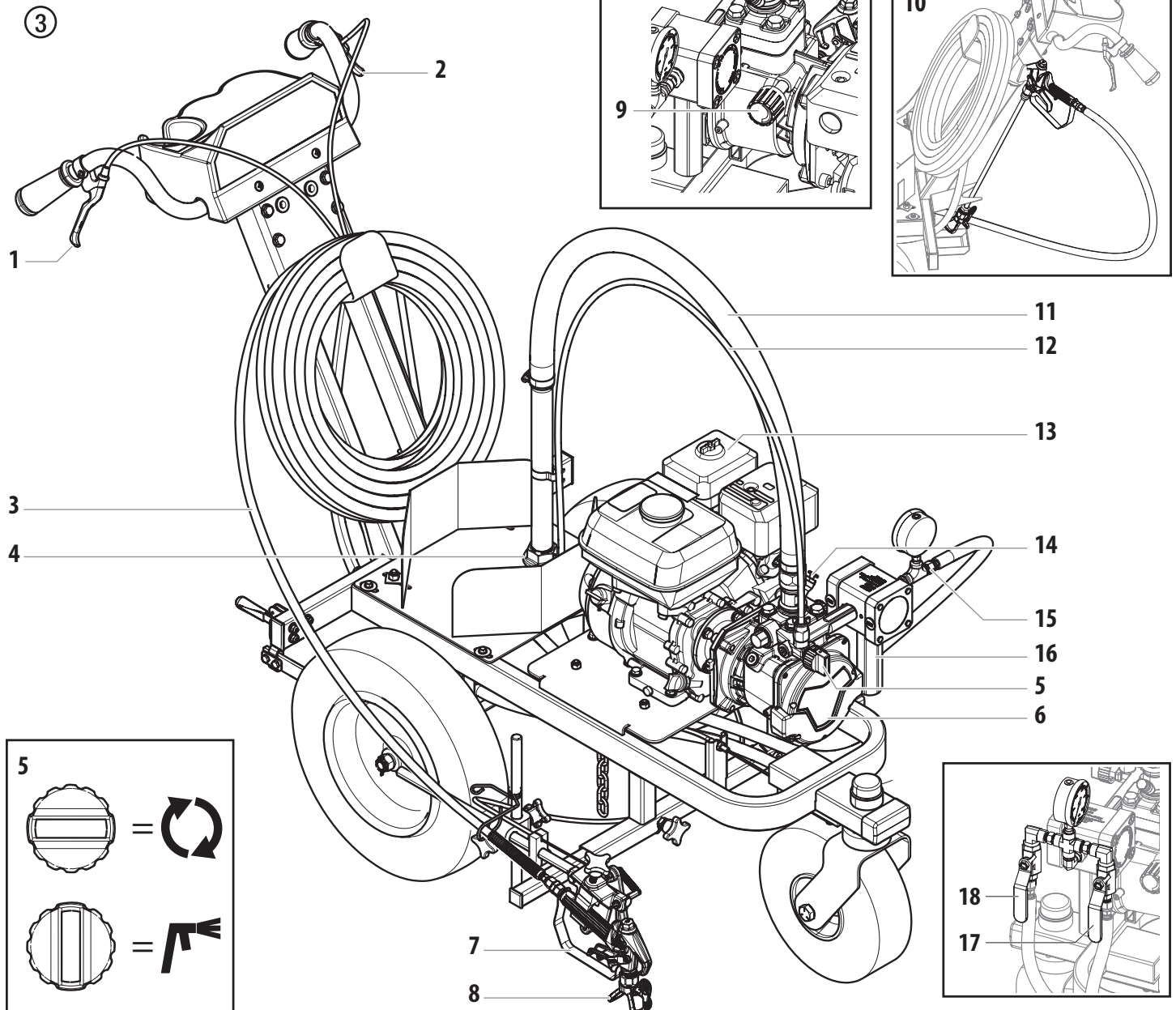
Assurez-vous d'engager le frein à main situé derrière la roue arrière droite lorsque vous utilisez le pistolet à pochoir ou lorsque le pulvérisateur n'est pas utilisé afin de l'empêcher de rouler par inadvertance sur une pente.



### 3.5 ILLUSTRATION

1. Détente du pistolet
2. Commande de la roue avant
3. Flexible haute pression
4. Crépine d'aspiration
5. Vanne de décharge  
PRIME =   
SPRAY = 
6. Ensemble de pompe
7. Pistolet de projection
8. Protecteur de buse avec buse sans air

9. Bouton de réglage de pression
10. Pistolet pour pochoir (modèle PL3500S uniquement)
11. Tube du siphon
12. Tuyau de décharge
13. Moteur à essence
14. Tige de poussée
15. Raccord de tuyau à haute pression
16. Filtre à haute pression
17. Vanne d'arrêt du pistolet pour rayage (modèle PL3500S uniquement)
18. Vanne d'arrêt du pistolet pour pochoir (modèle PL3500S uniquement)



### 3.6 CARACTÉRISTIQUES TECHNIQUES

min (recommandée)	120cc (Honda)
<b>Capacité du réservoir d'essence</b>	2,5 l
<b>Pression de service max.</b>	22,8 MPa (228 bar)
<b>Débit max.</b>	2,8 l/min
<b>Débit sous 0,6 MPa (6 bars) avec de l'eau</b>	2,3 l/min
<b>Température max. adm. du produit de revêtement</b>	43 °C
<b>Raccord du tuyau de produit</b>	1/4"-18 NPSM
<b>Viscosité max.</b>	20.000 mPas
<b>Buse maxi</b>	0,027" – 0,68 mm
<b>Poids à vide</b>	
PL3500	87 kg
PL3500S	91 kg
<b>Encombrement (L x P x H)</b>	165 cm x 82.5 cm x 100.3 cm
<b>Quantité de remplissage d'huile hydraulique</b>	
Corps du système hydraulique	1,15 litre
Engrenage	0,05 litre
<b>Vibration max. au pistolet de pulvérisation</b>	inférieure à 2,5 m/s <sup>2</sup>
<b>Niveau de pression acoustique max.</b>	75 dB (A)*

\* Lieu de mesure: à distance latérale de 1 m de l'appareil et 1,60 m au-dessus du sol, pression de service 12 MPa (120 bars), sol réverbérant.

### TEMPÉRATURE DE FONCTIONNEMENT

Cet équipement fonctionnera correctement à sa température ambiante visée, entre +10°C et +40°C au moins.

### HUMIDITÉ RELATIVE

Cet équipement fonctionnera correctement dans un milieu ayant une humidité relative de 50 %, à +40°C. Une humidité relative plus élevée peut être permise à des températures plus basses.

L'acheteur doit prendre des mesures afin d'éviter les effets destructeurs de la condensation accidentelle.

### ALTITUDE

Cet équipement fonctionnera correctement jusqu'à 2 100 m au-dessus du niveau moyen de la mer.



Le centre de services Honda peut ajouter une trousse de haute altitude si l'appareil doit être utilisé à une élévation plus élevée.

### TRANSPORT ET ENTREPOSAGE

Cet équipement résistera aux températures de transport et d'entreposage entre -25°C et +55°C et jusqu'à +70°C pour des périodes courtes, ou il est protégé pour résister à ces températures.

Son emballage prévient les dommages des effets de l'humidité, de la vibration et des coups normaux.

## 4 FONCTIONNEMENT



L'équipement produit un flot de fluides à extrêmement haute pression. Lisez et comprenez les avertissements de la section des Mesures de sécurité à l'avant du manuel avant d'utiliser l'équipement.

### 4.1 MONTAGE

1. Vérifiez que la canne d'aspiration et le tuyau de retour sont fermement attachés.
2. Positionnez le pistolet pulvérisateur (fig. 4).

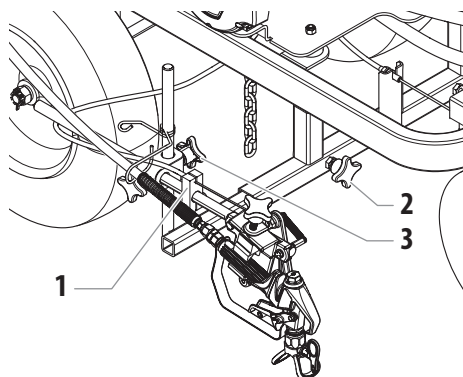
a. Déclenchez le câble de la détente du collier de tension (1).



Déclenchez toujours le câble de la détente du collier de tension avant de rajuster la position du pistolet de pulvérisation.

- b. Desserrez l'agrafe de la barre du support (2) et glissez la barre du support à pistolet à la position horizontale souhaitée. Le pistolet devrait être positionné de façon à être assez large pour que la roue ne passe pas dans la répartition de pulvérisation.
- c. Desserrez la bride de colonne montante du pistolet (3) et glissez le pistolet de pulvérisation à la position verticale souhaitée.
- d. Reconnectez le câble de la détente au collier de tension (1).

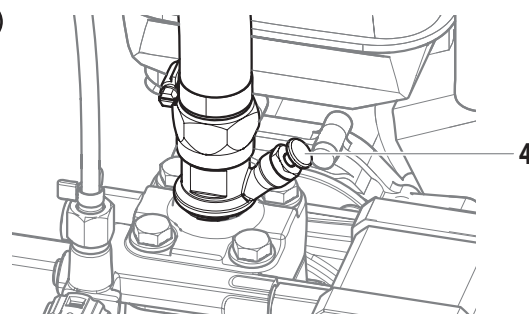
④



La hauteur du pistolet pulvérisateur influe sur la largeur du marquage (plus le pistolet est bas et plus la ligne tracée sera fine). La taille de la buse influe également sur la largeur de la ligne.

3. Enfoncer complètement la tige de poussée (fig. 7, pos. 4) afin de dégager la bille d'entrée.

⑤



4. Contrôlez tous les jours le niveau d'huile dans le réservoir avant de démarrer l'appareil. Le niveau d'huile du moteur à essence est déterminé par le fabricant du moteur. Consultez le manuel d'entretien du fabricant du moteur fourni avec ce modèle.
5. Assurez-vous que le pulvérisateur est mis à la terre. Tous les pulvérisateurs sont munis d'une chaîne de mise à la terre. Assurez-vous que la chaîne atteint le sol. Vérifiez les instructions de mise à la terre détaillées dans les règlements sur les installations électriques.



Il est important de correctement relier l'appareil à la terre. Le passage de certains matériaux dans le tuyau en nylon produit une charge électrique statique qui peut enflammer les vapeurs de solvant lorsqu'elle est déchargée et peut créer une explosion.

6. Filtrez toutes les peintures avec un filtre en nylon pour un fonctionnement sans problème et pour éviter d'avoir à nettoyer fréquemment le filtre interne et le filtre du pistolet.
7. Vérifiez que la zone de vaporisation est bien ventilée pour empêcher tout fonctionnement dangereux avec des solvants volatiles ou des fumées d'échappement.



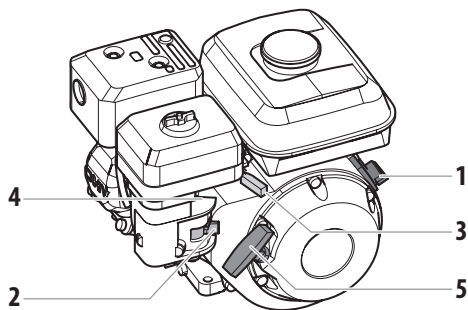
## 4.2 DÉMARRAGE DU MOTEUR



Suivez ces consignes chaque fois que c'est indiqué dans le manuel pour démarrer le moteur.

1. Placez la manette de vanne de carburant (fig. 6, pos. 2) en position ouverte,
2. Placez le levier de papillon d'accélération (3) au milieu.
3. Placez le levier d'étranglement (4) en position fermée pour un moteur froid ou en position ouverte pour un moteur chaud.
4. Mettez la clé de contact (1) sur ON.
5. Tirez fermement sur la corde du démarreur (5) jusqu'à ce que le moteur démarre.

⑥



Si le levier d'étrangleur (4) a été mis en position fermée pour démarrer le moteur, il doit être déplacé à nouveau lorsque le moteur est en marche.

## 4.3 PRÉPARATION D'UN NOUVEAU VAPORISATEUR



S'il s'agit d'un nouvel appareil, il est livré avec du liquide de test dans la section des liquides pour éviter la corrosion durant le transport et le stockage. Ce fluide doit être soigneusement vidangé du circuit à l'aide d'essences minérales avant de commencer à vaporiser.



Verrouillez toujours la gâchette sur le pistolet vaporisateur pendant la préparation du circuit. Consultez les consignes du verrou de détente du mode d'emploi du pistolet de pulvérisation.

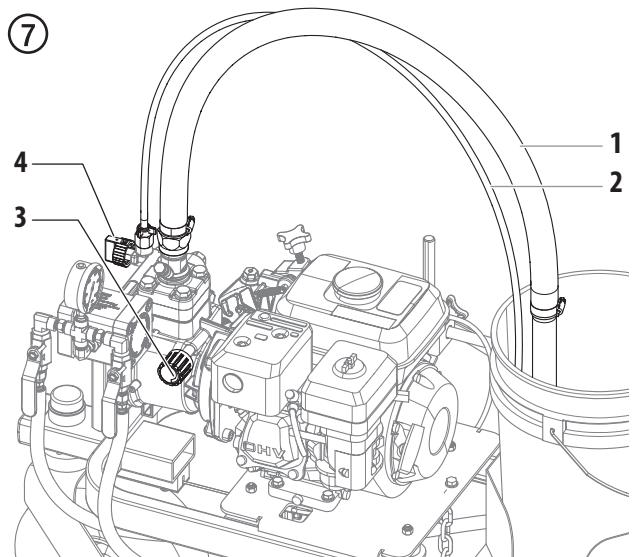


Assurez-vous qu'aucun embout ou protecteur d'embout n'est installé sur le pistolet vaporisateur.

**Modèle PL3500S :** S'assurer que la vanne d'arrêt du pistolet pour pochoir est fermée avant de démarrer le moteur (la poignée de la vanne devrait être perpendiculaire au tuyau).

1. Plonger le tuyau d'aspiration (fig. 7. pos. 1) et le tuyau de retour (2) dans un récipient contenant un d'essences minérales.
2. Tourner le bouton de réglage de pression (3) à la pression minimale.
3. Ouvrir la vanne de décharge (4) à la position PRIME (↻ circulation).

⑦



4. Démarrez le moteur (consultez la section 4.2).
5. Attendre que le produit de nettoyage revienne au tuyau de retour.
6. Fermer la vanne de décharge, position SPRAY (↖ projection).
7. Déverrouillez le pistolet de pulvérisation (consultez le manuel du pistolet de pulvérisation).
8. Viser le pistolet de pulvérisation dans un récipient à déchets ouvert. Appuyez sur la détente du pistolet sur la poignée de droite.
9. Projeter le produit de nettoyage en circulation dans un réservoir ouvert et mis à la terre.



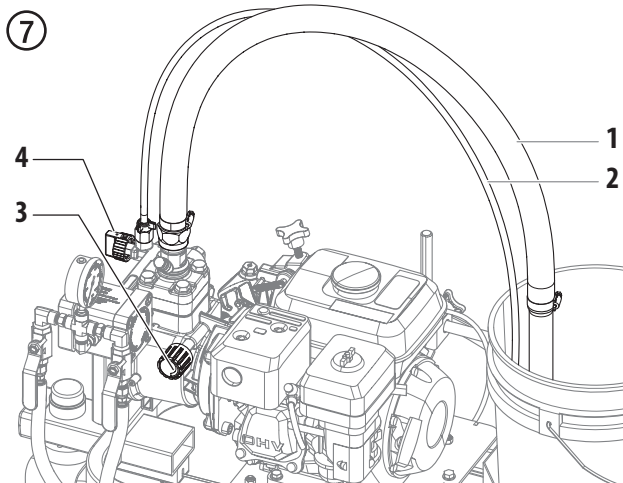
#### 4.4 PRÉPARATION AVANT DE PEINDRE



Assurez-vous qu'aucun embout ou protecteur d'embout n'est installé sur le pistolet vaporisateur.

**Modèle PL3500S :** S'assurer que la vanne d'arrêt du pistolet pour pochoir est fermée avant de démarrer le moteur (la poignée de la vanne devrait être perpendiculaire au tuyau).

1. Plonger le tuyau d'aspiration (fig. 7. pos. 1) et le tuyau de retour (2) dans un récipient contenant un produit de nettoyage approprié.
2. Tourner le bouton de réglage de pression (3) à la pression minimale.
3. Ouvrir la vanne de décharge (4) à la position PRIME (↻ circulation).
4. **Modèle PL3500S :** S'assurer que la vanne d'arrêt du pistolet pour rayage est ouverte (la poignée de la vanne devrait être alignée avec le tuyau).



5. Démarrez le moteur (consultez la section 4.2).
6. Fermer la vanne de décharge, position SPRAY (↖ projection).
7. Viser le pistolet de pulvérisation dans un récipient à déchets ouvert. Appuyez sur la détente du pistolet sur la poignée de droite.
8. Tirer la gâchette à plusieurs reprises et projeter dans un récipient collecteur, jusqu'à ce que le produit sorte du pistolet sans interruption.



Reliez le pistolet à la terre en le maintenant contre le bord du conteneur en métal lors du rinçage. Si cette précaution n'est pas respectée, il peut se former une décharge électrique statique pouvant à son tour provoquer un incendie.

8



9. Verrouillez le pistolet en tournant le verrou de la détente du pistolet à la position verrouillée (consultez le manuel du pistolet de pulvérisation).
10. Fixez la protection d'embout au pistolet comme indiqué sur la protection d'embout ou sur les manuels d'embouts.



**RISQUE ÉVENTUEL D'INJECTION.** Ne vaporisez pas si la protection d'embout n'est pas montée. Ne déclenchez jamais le pistolet si l'embout n'est pas en position de vaporisation ou débouché. Engagez toujours le verrouillage de la gâchette du pistolet avant de démonter, de remplacer ou de nettoyer l'embout.

11. Augmenter la pression en tournant progressivement le bouton de réglage.  
Contrôler le résultat et, le cas échéant, augmenter la pression pour optimiser la pulvérisation. Régler toujours la pression de façon à obtenir une bonne pulvérisation avec le bouton à la position la plus basse possible.
12. Le matériel est prêt à travailler.



Si vous augmentez la pression au-delà de la pression nécessaire pour atomiser la peinture, vous pouvez provoquer une usure prématurée des embouts et une vaporisation excessive.

#### 4.5 UTILISATION DU PISTOLET POUR POCHOIR



Le pistolet pour pochoir est destiné à la peinture libre à l'aide de pochoirs placés sur le sol. Suivre les étapes suivantes.

13. S'assurer de suivre toutes les étapes de la section 4.4.
14. S'assurer que la détente du pistolet de pulvérisation est verrouillée avant d'enlever le pistolet de pulvérisation du support (consulter le manuel du pistolet de pulvérisation).
15. Fermer la vanne d'arrêt du pistolet pour rayage (la poignée de la vanne devrait être perpendiculaire au tuyau).
16. Ouvrir la vanne d'arrêt du pistolet pour pochoir (la poignée de la vanne devrait être alignée avec le tuyau).
17. Le pistolet pour pochoir est maintenant prêt à utiliser. Après l'utilisation, fermer la vanne d'arrêt et suivre la procédure de décharge de pression (section 4.6).

#### 4.6 PROCÉDURE DE DÉCHARGE DE PRESSION



Assurez-vous de bien suivre la procédure de décharge de pression lorsque vous arrêtez l'appareil pour une raison quelconque, y compris lors de l'entretien ou du réglage d'une pièce du circuit de vaporisation, du remplacement ou du nettoyage des embouts de vaporisation ou lors de la préparation au nettoyage.

1. Bloquez le pistolet en faisant passer la gâchette du pistolet vers la position de blocage.
2. Réglez la pression au minimum en tournant au maximum le bouton de réglage de pression dans le sens inverse des aiguilles d'une montre,
3. Ouvrir la vanne de décharge à la position PRIME (↻ circulation).
4. Placez le levier de papillon d'accélération en position lente.
5. Tournez l'interrupteur du moteur sur OFF.
6. Débloquez le pistolet en faisant passer la gâchette du pistolet vers la position de déblocage.
7. Maintenez fermement la partie métallique du pistolet contre un conteneur de déchets en métal pour décharger l'électricité statique du pistolet.
8. Enclenchez le pistolet pour éliminer toute pression résiduelle dans le tuyau.
9. Bloquez le pistolet en faisant passer la gâchette du pistolet vers la position de blocage.

#### 4.7 FONCTIONNEMENT DE LA ROULETTE AVANT



La roulette avant du chariot est conçue pour suivre le pulvérisateur en ligne droite ou lors de déplacements libres.

Tout en restant à l'arrière du pulvérisateur, la détente située sur la poignée gauche du chariot permet de contrôler le fonctionnement de la roulette avant.

1. Pour verrouiller la roulette avant en position ligne droite, pressez puis relâchez la détente de la roulette et faites avancer le pulvérisateur.
2. Pour que la roulette avant s'adapte aux mouvements libres, appuyez et maintenez la détente de la roulette.

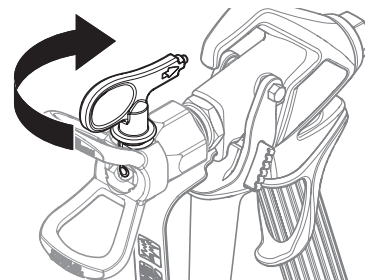
#### 4.8 NETTOYAGE D'UNE BUSE OBSTRUÉE



Si la répartition de la pulvérisation devient déformée ou s'arrête complètement en appuyant sur la détente, suivre les étapes ci-dessous.

1. Ouvrir la vanne de décharge à la position PRIME (↻ circulation).
2. Si la buse est obstruée, faites tourner la poignée de la buse à 180° jusqu'à ce que la flèche figurant sur la poignée indique l'opposé de la direction de pulvérisation et que la poignée s'enclenche en position inversée (fig. 9).
3. Fermer la vanne de décharge, position SPRAY (↖ projection).

⑨




4. Appuyez une fois sur la détente du pistolet pour que la pression débouche la buse. N'appuyez JAMAIS deux fois de suite sur la détente lorsque la buse est dans la position inversée. Cette procédure peut être répétée jusqu'à ce que la buse ne soit plus obstruée.





Le flux sortant de la buse de pulvérisation est à très forte pression. Tout contact avec une quelconque partie du corps peut s'avérer dangereux. Ne mettez pas de doigt sur l'embout du pistolet. Ne visez personne avec le pistolet. N'utilisez jamais le pistolet pulvérisateur sans disposer du protège-embout approprié.



## 4.9 INTERRUPTIONS DE TRAVAIL

	Suivez ces étapes si vous arrêtez de pulvériser pendant jusqu'à 20 heures.
---	--

1. Suivez la « Procédure de décharge de pression » décrite au paragraphe Fonctionnement de ce manuel (section 4.6).
2. Placez le pistolet de pulvérisation dans un sac en plastique, ou déposez-le dans un seau d'eau.
3. Laissez le tube d'aspiration et le tuyau de retour immergés dans le matériau de revêtement ou immergez-les dans un agent de nettoyage correspondant.
4. Recouvrez le matériau de revêtement de plastique et placez l'appareil dans un endroit frais et ombragé pour empêcher le matériau de s'assécher.

 Attention	Lors de la mise en œuvre de peintures à séchage rapide ou d'un produit à deux composants, rincer sans faute le groupe à l'intérieur du temps d'utilisation avec le produit de nettoyage adéquat.
	Lorsque vous êtes à nouveau prêt à pulvériser, enlevez le plastique du récipient de matériau et redémarrez le pulvérisateur en suivant les étapes décrites à la section 4.4.

## 4.10 MANIPULATION DU FLEXIBLE À HAUTE PRESSION



	L'appareil est muni d'un tuyau à haute pression conçu spécialement pour les pompes sans air.
	Ne jamais utiliser un flexible défectueux. Danger de blessure! Ne jamais essayer de réparer un flexible endommagé!

Le tuyau flexible haute pression doit être traité avec soin. Il faut éviter de trop plier le flexible; le plus petit rayon ne doit pas être inférieur à 20 cm.



Protéger le flexible contre le passage de véhicules et éviter le frottement sur des arêtes vives.

Ne jamais tirer sur le flexible à haute pression pour déplacer l'appareil.

Faire attention à ne pas tordre le flexible à haute pression. Cela peut être évité en utilisant un pistolet pulvérisateur de Titan avec une articulation pivotante et un dévidoir de tuyau.

	Le risque d'endommagements s'accroît dans le cas des vieux flexibles à haute pression. Titan recommande de remplacer le flexible à haute pression au bout de 6 ans.
	Pour des raisons de fonctionnement, de sécurité et de durée de vie, utiliser exclusivement des tuyaux flexibles à haute pression d'origine de Titan.

## 5 NETTOYAGE


 <p>Attention</p>	<p>Le pulvérisateur, le tuyau et le pistolet doivent être soigneusement nettoyés tous les jours après utilisation. Le non-respect de ces consignes peut mener à une agglutination du matériau et donc considérablement endommager la performance de l'appareil.</p>
	<p>Lorsque vous utilisez des essences minérales ou tout autre solvant pour nettoyer le vaporisateur, le tuyau ou le pistolet, vaporisez toujours à la pression minimale avec l'embout du pistolet démonté. L'accumulation d'électricité statique peut entraîner un incendie ou une explosion en présence de vapeurs inflammables.</p>

### 5.1 CONSIGNES SPÉCIALES DE NETTOYAGE LORS DE L'UTILISATION DU PISTOLET AVEC DES SOLVANTS INFLAMMABLES

- Rincez toujours le pistolet pulvérisateur de préférence à l'extérieur et au moins à une longueur de tuyau de la pompe de pulvérisation.
- Si vous recueillez les solvants vidangés dans un conteneur en métal d'un gallon (environ 3,780 litres), placez celui-ci dans un conteneur vide de 5 gallons (environ 19 litres), puis vidangez les solvants.
- La zone doit être totalement débarrassée de vapeurs inflammables.
- Respectez toutes les consignes de nettoyage.


### 5.2 NETTOYAGE DU PULVÉRISATEUR

1. Suivez la « Procédure de décharge de pression » décrite au paragraphe Fonctionnement de ce manuel (section 4.6).
2. Démontez l'embout du pistolet et la protection d'embout puis procédez au nettoyage en utilisant une brosse et un solvant approprié.
3. Placez le tuyau du siphon dans un conteneur du solvant approprié.


 <p>Attention</p>	<p>Utilisez des solvants compatibles lors du nettoyage de peintures laquées, de laques, de peinture à base de brai et d'époxy. Vérifiez auprès du fabricant du liquide le solvant recommandé pour ce liquide.</p>
--	---

4. Placez le tuyau de décharge dans un conteneur de déchets en métal.
5. Réglez la pression au minimum en tournant au maximum le bouton de réglage de pression dans le sens inverse des aiguilles d'une montre.


6. Ouvrir la vanne de décharge, position PRIME (↻ circulation).
7. Démarrez le moteur (consultez la section 4.2).
8. Laissez le solvant circuler dans l'appareil et vidangez la peinture par le tuyau de purge dans le conteneur de déchets en métal.
9. Fermer la vanne de décharge, position SPRAY (↖ projection).

	<p>Reliez le pistolet à la terre en le maintenant contre le bord du conteneur en métal lors du rinçage. Si cette précaution n'est pas respectée, il peut se former une décharge électrique statique pouvant à son tour provoquer un incendie.</p>
---	---

10. Déclenchez le pistolet dans le conteneur de déchets en métal jusqu'à ce que la peinture soit vidangée et que du solvant sorte du pistolet.
11. Continuez à déclencher le pistolet dans le conteneur de déchets en métal jusqu'à ce que le solvant sortant du pistolet soit propre.

	<p>Pour le stockage à long terme par temps froid ou lorsqu'il s'agit d'exposition à des températures de congélation, pomper des essences minérales dans tout le système.</p> <p>Pour un stockage à court terme lorsqu'il n'y a pas d'exposition à des températures de congélation lors de l'utilisation de peinture au latex, pomper de l'eau mélangée avec Titan Liquid Shield dans tout le système (voir la section Accessoires de ce manuel pour le numéro de pièce et l'étiquette du produit pour les instructions de dilution).</p>
---	--

12. Suivez la « Procédure de décharge de pression » décrite au paragraphe Fonctionnement de ce manuel (section 4.6).
13. Conservez l'outil dans un endroit sec et propre.

 <p>Attention</p>	<p>Ne stockez pas l'appareil sous pression.</p>
--	---

### 5.3 NETTOYAGE EXTÉRIEUR DU GROUPE



Attention

Ne jamais utiliser un jet ou de la vapeur sous pression pour le nettoyage.

Ne pas placer le flexible à haute pression dans du solvant. Essuyer l'extérieur uniquement avec un chiffon imprégné.

Nettoyer l'extérieur du groupe à l'aide d'un chiffon imbibé du produit de nettoyage adéquat.

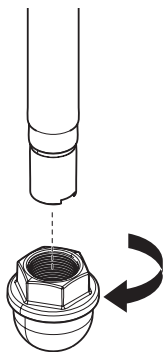
### 5.4 FILTRE D'ASPIRATION



Des filtres propres assurent toujours un débit maximum, une pression de projection constante ainsi qu'un fonctionnement correct du matériel.

1. Dévisser la crépine (fig. 10) du tube d'aspiration.
2. Nettoyer ou remplacer la crépine.  
Effectuer le nettoyage à l'aide d'un pinceau dur et d'un produit de nettoyage correspondant.

10



### 5.5 NETTOYAGE DU FILTRE HAUTE PRESSION

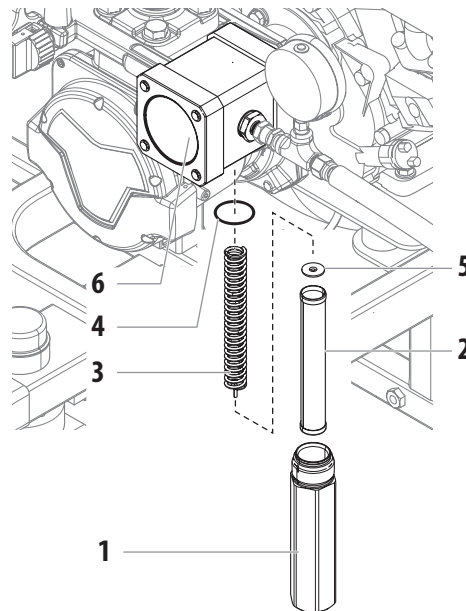


Nettoyer régulièrement la cartouche du filtre. Un filtre haute pression encrassé ou bouché compromet le résultat de projection ou occasionne le bouchage de la buse.

1. Suivez la « Procédure de décharge de pression » décrite au paragraphe Fonctionnement de ce manuel (section 4.6).
2. Dévisser le corps de filtre (fig. 11, pos. 1) à l'aide d'une clé à bande.
3. Retirer la cartouche (2) du ressort (3).

4. Nettoyer toutes les pièces avec un produit approprié. Le cas échéant, remplacer la cartouche.
5. Contrôler le joint torique, si nécessaire, le remplacer.
6. Appliquer la rondelle d'appui (5) contre le ressort (3). Glisser la cartouche (2) sur le ressort.
7. Visser le corps de filtre (1) et serrer à fond avec la clé à bande.

11



Attention

L'amortisseur de pulsations (6) est assorti d'une garantie à vie.

L'amortisseur de pulsations contient de l'azote gazeux et ne devrait jamais être ouvert. La modification de l'amortisseur de pulsations (c.-à-d. enlever les quatre boulons sur la face de l'amortisseur) annule la garantie à vie.

Contactez le service technique Titan au 1-800-526-5362 si vous croyez que l'amortisseur de pulsations doit être réparé.

## 5.6 NETTOYAGE DU PISTOLET AIRLESS

1. Rincer le pistolet Airless à faible pression de service avec le produit de nettoyage adéquat.
2. Nettoyer soigneusement la buse avec le produit adéquat de manière à éliminer les restes de produit.
3. Nettoyer soigneusement l'extérieur du pistolet.

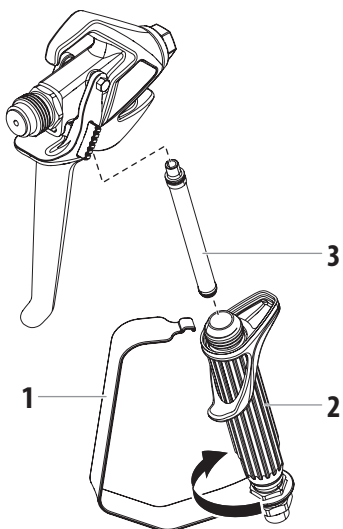


Nettoyez le pistolet de pulvérisation après chaque utilisation.

### TAMIS DE CROSSE DANS LE PISTOLET AIRLESS (FIG. 12)

1. Détachez le dessus du pontet (1) de la tête du pistolet.
2. En se servant de la partie inférieure du pontet comme clé, desserrez et enlevez l'ensemble de la poignée (2) de la tête du pistolet.
3. Extrayez le filtre (3) usagé de la tête du pistolet. Nettoyez ou remplacez.
4. Faites glisser le nouveau filtre, la partie filetée en premier, dans la tête du pistolet.
5. Placez le joint de la poignée dans la tête du pistolet avec la partie plate du joint vers la tête du pistolet. Serrez à l'aide de la clé de la détente.
6. Enclenchez à nouveau le pontet sur la tête du pistolet.

12



## 6 MAINTENANCE

### 6.1 MAINTENANCE GÉNÉRALE



Pour des raisons de sécurité, une inspection annuelle est fortement recommandée, qui doit être réalisée par des spécialistes. À ce sujet, vous devez également tenir compte des réglementations nationales.

#### CONTRÔLES MINIMAUX AVANT TOUTE MISE EN SERVICE :

1. Vérifiez le tuyau à haute pression et les raccords des pistolets de pulvérisation.

#### CONTRÔLES À INTERVALLES RÉGULIERS :

1. Contrôler l'usure de la vanne d'aspiration, du clapet de refoulement et les nettoyer et remplacer les pièces d'usure.
2. Nettoyer et le cas échéant remplacer les éléments filtrants (pistolet de pulvérisation, système d'aspiration (et le filtre de la pompe)).

### 6.2 TUYAU FLEXIBLE HAUTE PRESSION

Contrôler visuellement le tuyau flexible haute pression pour entailles ou bosses éventuellement présentes, en particulier à la transition dans le raccord. Les écrous-raccords doivent pouvoir tourner librement. Une conductibilité inférieure à 1 mégohm doit être présente sur toute la longueur.



Attention

Faire effectuer tous les contrôles électriques par le service après-vente de Titan.



Le risque d'endommagements s'accroît dans le cas des vieux flexibles à haute pression. Titan recommande de remplacer le flexible à haute pression au bout de 6 ans.



### 6.3 ENTRETIEN DE BASE DU MOTEUR (MOTEUR À ESSENCE)

- Pour obtenir des informations détaillées sur l'entretien du moteur ou des spécifications techniques, reportez-vous au deuxième manuel du moteur à essence.
- Tout entretien du moteur doit être réalisé par un revendeur agréé par le fabricant du moteur.
- Utilisez une huile pour moteur de qualité premium. Il est conseillé d'utiliser la 10W30 pour une utilisation générale quelque soit la température. D'autres viscosités peuvent être requises sous d'autres climats.
- Utilisez uniquement une bougie d'allumage (NGK) BR-6HS. Ecartez les électrodes de 0,028 à 0,031 pouces (de 0,7 à 0,8 mm). Utilisez toujours une clé à bougie.

#### TOUS LES JOURS

1. Vérifiez le niveau d'huile du moteur et remplissez le réservoir si besoin est.
2. Vérifiez le niveau d'essence du moteur et remplissez le réservoir si besoin est.



Suivez toujours la procédure de ravitaillement précédemment exposée dans ce manuel.

#### LES 20 PREMIÈRES HEURES

- Changez l'huile du moteur.

#### TOUTES LES 100 HEURES

- Changez l'huile du moteur.
- Nettoyez le collecteur de dépôt.
- Nettoyez et re-réglez la bougie d'allumage.
- Nettoyez le pare-étincelles.

#### TOUTES LES SEMAINES

- Retirez le couvercle du filtre à air et nettoyez l'élément. Dans les environnements très poussiéreux, vérifiez le filtre quotidiennement. Remplacez l'élément le cas échéant. Les pièces de rechange peuvent être achetées auprès de votre revendeur local du fabricant de moteur.

### FONCTIONNEMENT ET ENTRETIEN DU MOTEUR

- Nettoyez les filtres à air et à huile du moteur à essence toutes les 25 heures ou une fois par semaine. Ne laissez pas la peinture ou les saletés s'accumuler sur la grille d'entrée d'air du volant du moteur à essence. Nettoyez-la régulièrement. La durée de vie et l'efficacité du moteur à essence dépend de son bon entretien. Changez l'huile du moteur toutes les 100 heures. Tout manquement à ces consignes peut occasionner une surchauffe du moteur. Consultez le manuel d'entretien qui vous est fourni par le fabricant du moteur.
- Pour économiser de l'essence et accroître la durée de vie et l'efficacité du pulvérisateur, faites fonctionner le moteur à essence au régime moteur le plus bas lui permettant de tourner sans forcer et de fournir la quantité de peinture requise. Un régime moteur plus élevé n'est pas synonyme de pression de travail plus grande.
- La garantie sur les moteurs à essence se limite au fabricant d'origine.

### 6.4 PIÈCES D'USURE TYPIQUES

Malgré l'utilisation de matériaux de qualité supérieure, on doit s'attendre à l'usure des éléments suivants du fait de l'action fortement abrasive des peintures:

#### VANNE D'ASPIRATION (pièce de rechange réf.: 2393043)

Remplacement, voir point 7.2

(La panne se remarque par une perte de puissance et/ou une mauvaise aspiration, voire pas d'aspiration du tout - un nettoyage approfondi peut également déjà apporter une amélioration.)

#### CLAPET DE REFOULEMENT (pièce de rechange réf.: 2413371)

Remplacement, voir point 7.3

## 6.5 AIDE EN CAS DE PANNES

Type de la panne	Quoi encore?	Cause possible	Mesures de dépannage
L'appareil ne démarre pas		Le moteur manque de carburant	Remplir le moteur d'essence
L'appareil n'aspire.	Il ne sort pas de bulles d'air du tuyau de retour.	La valve d'admission est collée.	Appuyez plusieurs fois à la main jusqu'à la butée sur le poussoir de la vanne d'aspiration.
		Vanne d'aspiration/ clapet de refoulement encrassés/ Corps étranger aspiré/ usure.	Démontez les vannes et nettoyez-les (-> voir point 7.2/7.3). / Remplacez les pièces usées.
		Vanne de régulation de pression entièrement tournée en arrière.	Tournez la vanne de régulation de pression à fond vers la droite.
	Des bulles d'air sortent du tuyau de retour.	L'appareil aspire de l'air parasite.	Contrôlez: le système d'aspiration est-il convenablement serré? La tubulure de nettoyage est-elle solidement vissée sur le tuyau d'aspiration rigide? Le poussoir de la vanne d'aspiration fuit-il? -> Remplacer le racleur et le joint torique. (-> voir point 7.1)
L'appareil ne génère pas de pression.	L'appareil a aspiré.	Air dans le circuit d'huile.	Purgez le circuit d'huile de l'appareil; à cet effet, tournez la vanne de régulation de pression entièrement vers la gauche (jusqu'à l'excès) et laissez tourner pendant env. 2-3 min, puis tournez la vanne de régulation de pression entièrement vers la droite et réglez la pression de pulvérisation (répétez éventuellement plusieurs fois l'opération).
	L'appareil est arrivé en pression, mais la pression chute lors de la pulvérisation.	Filtre d'aspiration bouché.	Contrôlez le filtre d'aspiration/éventuellement nettoyer/remplacer.
		La peinture ne peut pas être mise en œuvre dans cet état, la peinture colle les vannes (vanne d'aspiration) par ses caractéristiques et le débit est trop faible.	Diluer la peinture.
	L'appareil est arrivé en pression, mais le jet de pulvérisation s'arrête lors de la pulvérisation	Des filtres bouchés laissent passer trop peu de peinture.	Contrôler/nettoyer le (filtre haute pression si présent,) le filtre du pistolet.
		Buse bouchée.	Nettoyer la buse.
	L'appareil ne génère pas la pression max. possible, de la peinture sort du tuyau de retour malgré la position de pulvérisation.	Vanne de décharge défectueuse.	Veuillez vous adresser au service après-vente Titan
Mauvais résultat de projection		Orifice bouché (voir page 36, pos. 1 de Manuel d'Entretien)	Remplacer (orifice de rechange inclus dans la littérature)

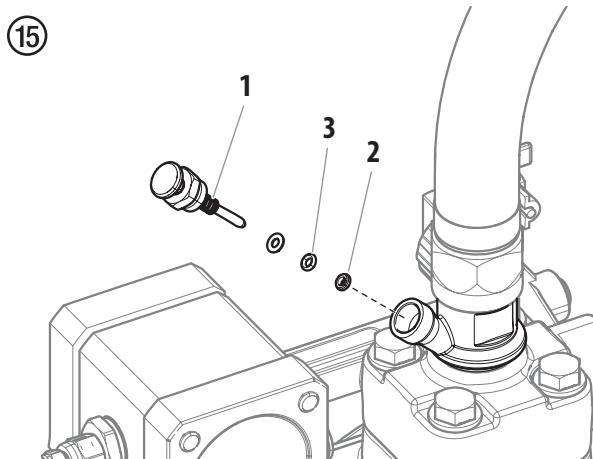
## 7 RÉPARATIONS SUR L'APPAREIL



Avant d'effectuer des réparations, assurez-vous d'effectuer la procédure de décompression, section 4.5.

### 7.1 POUSSOIR DE LA VANNE D'ASPIRATION

1. Dévisser le poussoir de la vanne d'aspiration avec une clé (de 17 mm) (fig. 15, pos. 1).
2. Remplacer le racleur (1) et le joint torique (2).

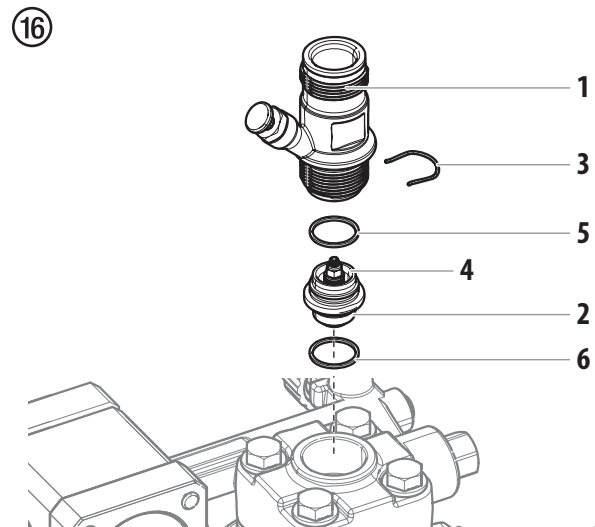


### 7.2 VANNE D'ASPIRATION

1. Placer la clé (de 30 mm) fournie sur le corps de poussoir (fig. 16, pos. 1).
2. Desserrer le corps de poussoir (1) à l'aide de petits coups de marteau sur l'extrémité de la clé.
3. Dévisser le corps de poussoir avec la vanne d'aspiration (2) de l'étage de peinture.
4. Enlever l'agrafe (3) avec le tournevis fourni.
5. Placer la clé (de 30 mm) fournie sur la vanne d'aspiration (2). Enlever prudemment la vanne d'aspiration d'un mouvement de rotation.
6. Nettoyer le siège de vanne (4) avec du produit de nettoyage et un pinceau (veiller à ce qu'il ne reste pas de poils de pinceau).
7. Nettoyer les joints (5, 6) et contrôler s'ils sont endommagés, remplacer le cas échéant.
8. Contrôler toutes les pièces de la vanne pour détérioration éventuelle. En cas d'usure visible, remplacer la vanne d'aspiration.

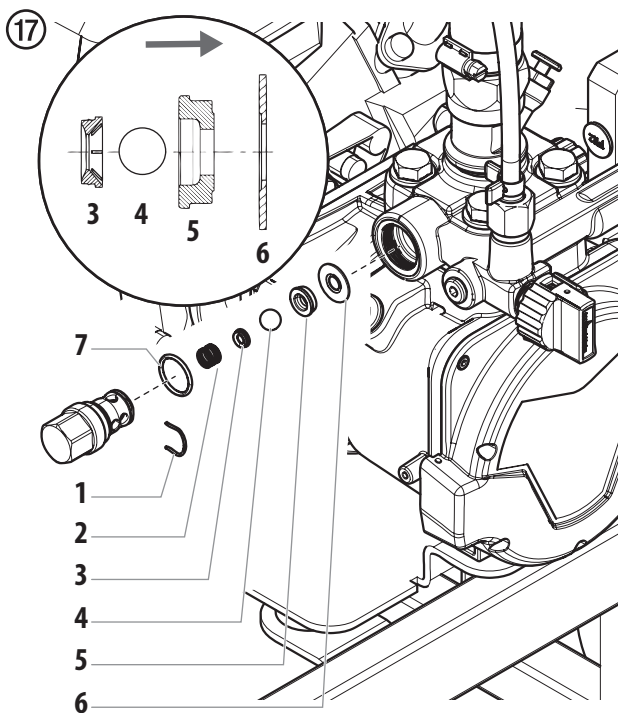
### MONTAGE

1. Placer la vanne d'aspiration (2) dans le corps de poussoir (1) et la fixer avec l'agrafe (3). Veiller à ce que le joint (noir) (5) soit monté dans le corps de poussoir.
2. Visser l'ensemble du corps de poussoir et de la vanne d'aspiration dans l'étage de peinture. Le joint (noir) (6) doit être monté dans l'étage de peinture.
3. Serrer le corps de poussoir avec la clé (de 30 mm) et bloquer de trois petits coups de marteau sur l'extrémité de la clé (correspond à un couple de serrage de 90 Nm).



### 7.3 CLAPET DE REFOULEMENT

1. Dévisser le clapet de refoulement de l'étage de peinture avec la clé (de 22 mm).
2. Extraire prudemment l'agrafe (1) avec le tournevis le ressort de compression (2) expulse la bille (4) et le siège de vanne (5).
3. Nettoyer ou remplacer les pièces individuelles.
4. Contrôler le joint torique (7) pour détérioration éventuelle.
5. Veiller à la position de montage lors du montage de la bague-support (3) (se clipse dans le ressort de compression (2)), du siège de clapet de refoulement (5) et de la bague d'étanchéité (6) -> voir figure.
6. Serrer le clapet de refoulement à 60 Nm.



## GB ACCESSORIES

## D ZUBEHÖR

## F ACCESSOIRES

PART NO.	DESCRIPTION	BENENNUNG	DESCRIPTION
<b>SPRAY GUNS</b>		<b>SPRITZPISTOLE</b>	<b>PISTOLETS DE PULVÉRISATION</b>
538005	RX-80™ 4 finger with Tip	RX-80™ 4-finger mit Düse	RX-80™ à 4 doigts avec buse
538006	RX-80™ 2 finger with Tip	RX-80™ 2-finger mit Düse	RX-80™ à 2 doigts avec buse
550060	S-3 with 517 Tip	S-3 mit Düse 517	S-3 avec buse 517
<b>SPRAY TIPS AND ACCESSORIES</b>		<b>SPRITZDÜSEN UND ZUBEHÖR</b>	<b>BUSES D'AIR ET ACCESSOIRES</b>
697-xxx	Striping tip*	Markierungsdüse*	Buse pour peindre les lignes*
0289228A	No Build Tip Guard	No Build Tip Guard (Düsenschutz vor Verstopfung)	Protecteur de buse sans accumulation
538029	Tip Swivel	Drehgelenk Düse	Pivot de buse
661-020	Tip seat and seal kit (5 pack)	Düsensitz und Dichtungssatz (5-er Pack)	Siège de buse et trousse d'étanchéité (ens. de 5)
<b>FILTERS</b>		<b>FILTER</b>	<b>FILTRES</b>
89957	Coarse Mesh Filter (Green)	Grobmaschiges Filter (grün)	Filtre de maille grossier (vert)
0089958B	Medium Mesh Filter (White)	Filter mit mittlerer Maschenstärke (weiß)	Filtre de maille moyen (blanc)
0089959A	Fine Mesh Filter (Yellow)	Feinfilter (gelb)	Filtre de maille fin (jaune)
89960	Extra Fine Mesh Filter (Red)	Filter mit extrafeiner Maschenstärke (rot)	Filtre de maille extra-fin (rouge)
<b>LINE STRIPER ACCESSORIES</b>		<b>ZUBEHÖR LINIENMARKIERUNG</b>	<b>ACCESSOIRES DE L'APPAREIL À PEINDRE DES LIGNES</b>
2418165	PL3500 stencil gun kit	PL3500 Schablonenpistolen-Kit	Kit pistolet à pochoir PL3500
759-130	Paint Hopper (12 gallons)	Farbtrichter (45 l)	Trémie à peinture (45 l)
0290175A	LineSite Laser	LineSite-Laser	Laser LineSite
2436953	Laser Kit, Linemarking	Laser Kit – Linienmarkierung	Laser Kit – Traçage routier
759-150	Side Striper	Side Striper	Appareil latéral à peindre les lignes
424-826	1 Gun Kit w/Hopper, 4–6" line width (gas models only)	1-Pistole-Kit und Farbtrichter, 10–15 cm Linienstärke (nur Benzinmodelle)	Trousse pour 1 pistolet avec trémie, largeur de ligne de 10 à 15 cm (modèles à essence uniquement)
424-840	1 Gun Kit w/Hopper, 12" line width (gas models only)	1-Pistole-Kit und Farbtrichter, 30 cm Linienstärke (nur Benzinmodelle)	Trousse pour 1 pistolet avec trémie, largeur de ligne de 30 cm (modèles à essence uniquement)
290181	Bead Dispenser bracket kit (required for Bead Dispenser) (gas models only)	Halterungssatz Perlstreuer (erforderlich für Perlstreuer) (nur Benzinmodelle)	Trousse de support pour distributeur de perles (nécessaire pour le distributeur de perles) (modèles à essence uniquement)
537935	Ball hitch kit / Hitch bracket (required for LazyLiner™)	Kugelkupplung Kit / Zughalterung (erforderlich für LazyLiner™)	Trousse de la rotule d'attelage / Support d'attelage (nécessaire pour le LazyLiner™)
0290040H	LazyLiner™ Elite	LazyLiner™ Elite	LazyLiner™ Elite
0290041H	LazyLiner™ Pro	LazyLiner™ Pro	LazyLiner™ Pro
0290953A	HandiBead	HandiBead	HandiBead
290623	Spray Shield	Spray Shield	Spray Shield
290932	Stencil kit 1	Schablonenbausatz 1	Trousse de pochoir 1
290933	Stencil kit 2	Schablonenbausatz 2	Trousse de pochoir 2
290934	Stencil kit 3	Schablonenbausatz 3	Trousse de pochoir 3
341434	Pump component wrench	Schraubenschlüssel für Pumpenkomponenten	Clé pour composants de pompe
<b>LUBRICANTS AND CLEANERS</b>		<b>SCHMIER- UND REINIGUNGSMITTEL</b>	<b>LUBRIFIANTS ET NETTOYANTS</b>
314-482	Liquid Shield™, 1 Quart	Liquid Shield™, 1 Quart	Liquid Shield™, 946 ml
508071	Paint Mate, 1 Quart	Paint Mate, 1 Quart	Paint Mate, 946 ml

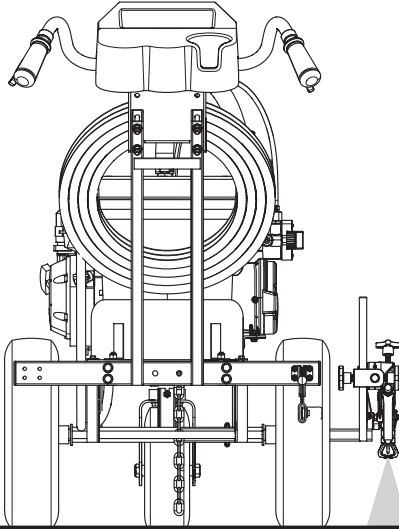
\* Go to [www.titantool.com](http://www.titantool.com) for tip sizes / Besuchen Sie [www.titantool.com](http://www.titantool.com) für Spitzengrößen / visitez [www.titantool.com](http://www.titantool.com) pour la pointe des buse de pulvérisation

**GB SPRAY GUN POSITIONS**

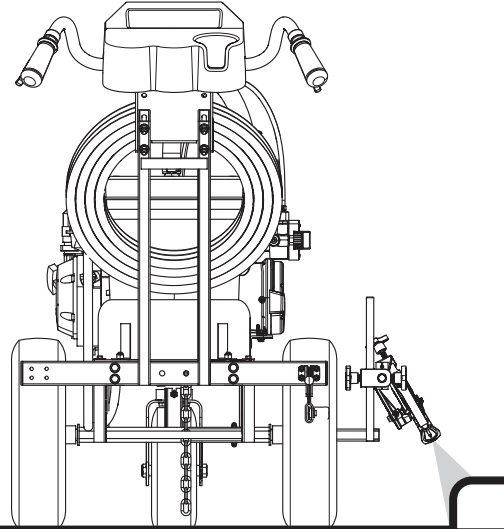
**F POSITIONS DU PISTOLET DE PULVÉRISATION**

**D POSITIONEN DER SPITZPISTOLE**

**A**



**B**



<b>A</b>	Single line	Einzellinie	Ligne simple
<b>B</b>	One gun curb	Kante mit einer Pistole	Bordure à un pistolet

**GB STRIPING TIPS**

**D STREIFENDÜSEN**

**F BUSES DE RAYAGE**

Titan's line striping tips provide razor sharp line edges, consistent line width, and uniform film thickness. They also reduce wasted paint and increase striper profits.

Select tips by their orifice size and fan (line) width. Determine the desired fan (line) width for the job and then the orifice size that will supply the necessary amount of fluid for proper atomization. For light viscosity fluids, use smaller orifice tips. For heavier viscosity materials, larger orifice tips are preferred.

**UNDERSTANDING STRIPING TIPS**

**Example A:** With the same fan (line) width, a larger orifice applies a greater volume of paint to the area.

**Example B:** With the same orifice size positioned 6" above the surface, a larger fan (line) width means the same paint amount is being applied to a greater area.

Die Striping Tip Düsen von Titan bieten messerscharf gezogene Linienkanten, eine konstante Linienbreite und eine gleichmäßige Schichtdicke. Sie minimieren auch die Verschwendung von Farbe, wodurch die Gewinne der Straßenmarkierer maximiert werden.

Spitzen wählen Sie nach ihrer Düsengröße und Fächerbreite (Linie) aus. Bestimmen Sie die gewünschte Fächerbreite (Linie) für den Auftrag und dann die Düsengröße, die die erforderliche Flüssigkeitsmenge für eine ordnungsgemäße Zerstäubung ermöglicht. Verwenden Sie für Flüssigkeiten mit leichter Viskosität kleinere Düsen Spitzen. Für Materialien mit schwererer Viskosität werden Spitzen mit größeren Öffnungen bevorzugt.

**DÜSEN FÜR STRASSENMARKIERUNGEN VERSTEHEN**

**Beispiel A:** Bei gleicher Fächerbreite (Linie) trägt eine größere Öffnung ein größeres Farbvolumen auf den Bereich auf.

**Beispiel B:** Bei einer gleichen Düsengröße, die 6" über der Oberfläche positioniert wird, bedeutet eine größere Fächerbreite (Linie), dass die gleiche Farbmenge auf eine größere Fläche aufgetragen wird.

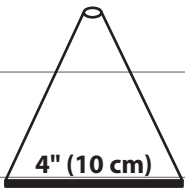
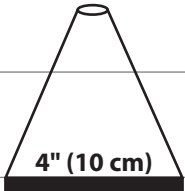
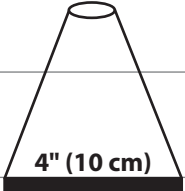
Les buses de rayage de lignes de Titan offrent des bords de ligne à traçage très précis, une largeur de ligne constante et une épaisseur de couche uniforme. Elles réduisent également le gaspillage de peinture et augmentent les bénéfices des traceurs.

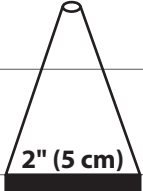
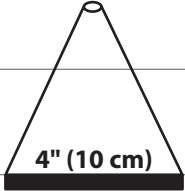
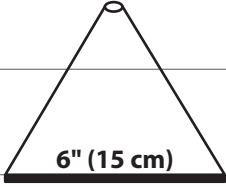
Sélectionnez les buses en fonction de la taille de leur orifice et de la largeur de répartition (ligne). Déterminez la largeur de répartition (ligne) souhaitée pour le travail, puis la taille de l'orifice qui fournira la quantité de fluide nécessaire pour une atomisation appropriée. Pour les fluides à faible viscosité, utilisez des buses à orifice plus petit. Pour les matériaux à viscosité plus élevée, il est préférable d'utiliser des buses à orifice plus grand.

**COMPRENDRE LES ASTUCES DU RAYAGE**

**Exemple A :** Avec la même largeur de répartition (ligne), un orifice plus grand applique un plus grand volume de peinture sur la zone.

**Exemple B :** Avec la même taille d'orifice positionnée à 15 cm au-dessus de la surface, une plus grande largeur de répartition (ligne) signifie que la même quantité de peinture est appliquée sur une plus grande surface.

<b>EXAMPLE A • BEISPIEL A • EXEMPLE A</b>			
Tip Number • Düsennummer • Numéro de buse	<b>419</b>	<b>423</b>	<b>429</b>
Orifice size • Düsengröße • Taille de l'orifice	<b>.019</b>	<b>.023</b>	<b>.029</b>
Fan (line) width • Fächerbreite (Linie) • Largeur de répartition (ligne)			
Film thickness • Schichtdicke • Épaisseur de couche	Least • am wenigsten • Le moins		Most • am meisten • Le plus

<b>EXAMPLE B • BEISPIEL B • EXEMPLE B</b>			
Tip Number • Düsennummer • Numéro de buse	<b>219</b>	<b>419</b>	<b>619</b>
Orifice size • Düsengröße • Taille de l'orifice	<b>.019</b>	<b>.019</b>	<b>.019</b>
Fan (line) width • Fächerbreite (Linie) • Largeur de répartition (ligne)			
Film thickness • Schichtdicke • Épaisseur de couche	Most • am meisten • Le plus		Least • am wenigsten • Le moins



**RECOMMENDED TIP SIZES FOR COMMON APPLICATIONS**

<b>Orifice Size Range (inches)</b>	<b>Application</b>	<b>Gun Filter (mesh)</b>	<b>Pump Manifold Filter (mesh)</b>
0.013" – 0.017"	Stencil and athletic field lines	Medium	Medium
0.017" – 0.035"	Standard traffic paints	Medium	Medium
0.025" – 0.043"	Self-propelled driver (med/high speed)	Coarse	Coarse
0.039" – 0.043"	Highly viscous traffic paints	Coarse	Coarse

**NOTE: Consult with your coating's technical datasheet for filter and tip size suggestions.**

**EMPFOHLENE SPITZENGRÖSSEN FÜR GÄNGIGE ANWENDUNGEN**

<b>Größenbereich der Öffnung (Inches)</b>	<b>Anwendung</b>	<b>Pistolenfilter (Mesh)</b>	<b>Pumpenverteilerfilter (Mesh)</b>
0,013" – 0,017"	Schablone und Sportfeldlinien	Mittel	Mittel
0,017" – 0,035"	Standardmäßige Verkehrsfarben	Mittel	Mittel
0,025" – 0,043"	Selbstfahrender Antrieb (mittlere/hohe Geschwindigkeit)	Grob	Grob
0,039" – 0,043"	Hochviskose Verkehrsfarben	Grob	Grob

**HINWEIS: Informationen zu Filter- und Düsengrößenvorschlägen finden Sie im technischen Datenblatt Ihrer Beschichtung.**

**TAILLES DE BUSE RECOMMANDÉES POUR LES APPLICATIONS COURANTES**

<b>Plage de dimensions des orifices (pouces)</b>	<b>Application</b>	<b>Filtre de pistolet (maille)</b>	<b>Filtre de collecteur de pompe (maille)</b>
0,013" – 0,017"	Pochoir et lignes de terrain de sport	Moyen	Moyen
0,017" – 0,035"	Peintures de signalisation sur route standard	Moyen	Moyen
0,025" – 0,043"	Dispositif automoteur (moyenne/haute vitesse)	Grossier	Grossier
0,039" – 0,043"	Peintures de signalisation sur route très visqueuses	Grossier	Grossier

**REMARQUE : Consultez la fiche technique de votre revêtement pour des suggestions de taille de filtre et de buse.**

**GB STRIPING TIP CHART**

**D TABLEAU DE BUSE DE RAYAGE**

**F STREIFENDÜSENTABELLE**

**EASY-TO-UNDERSTAND TIP SIZES**

- Part Number: 697 – XYY
- X = Width of stripe (inches) when sprayed 6" from surface
- YY = Orifice size in thousandths of an inch
- Example: 419 = 4" wide stripe with a 0.019" orifice

**LEICHT VERSTÄNDLICHE DÜSENGRÖSSEN**

- Artikelnummer: 697 – XYY
- X = Breite des Streifens (Inches) beim Aufsprühen auf die Oberfläche mit einem Abstand von 6"
- YY = Öffnungsgröße in Tausendstel Zoll
- Beispiel: 419 = 4" breiter Streifen mit einer 0,019" Öffnung

**TAILLES DE BUSE FACILES À COMPRENDRE**

- Numéro de pièce : 697 – XYY
- X = Largeur de la bande (centimètre) lorsque la pulvérisation est à 15 cm de la surface
- YY = taille de l'orifice en millièmes de centimètre
- Exemple : 419 = bande large de 4" avec un orifice de 0,019"

		ORIFICE SIZE (INCHES)									
FAN PATTERN WIDTH	INCHES	MM	0,013	0,015	0,017	0,019	0,021	0,023	0,025	0,027	
	2	51		215	217	219					
	4	102	413	415	417	419	421	423		427	
	6	152		615	617	619	621				
	8-10	203-254					821	823			
	Flow (GPM)			0.18	0.24	0.31	0.39	0.47	0.57	0.67	0.78
	Flow (LPM)			0.68	0.91	1.17	1.47	1.78	2.15	2.53	2.95

		ÖFFNUNGSGRÖSSE (INCHES)									
BREITE DES FÄCHERMUSTERS	INCHES	MM	0,013	0,015	0,017	0,019	0,021	0,023	0,025	0,027	
	2	51		215	217	219					
	4	102	413	415	417	419	421	423		427	
	6	152		615	617	619	621				
	8-10	203-254					821	823			
	Fluss (GPM)			0,18	0,24	0,31	0,39	0,47	0,57	0,67	0,78
	Fluss (LPM)			0,68	0,91	1,17	1,47	1,78	2,15	2,53	2,95

		TAILLE DE L'ORIFICE (POUCES)									
LARGEUR DE RÉPARTITION	POUCES	MM	0,013	0,015	0,017	0,019	0,021	0,023	0,025	0,027	
	2	51		215	217	219					
	4	102	413	415	417	419	421	423		427	
	6	152		615	617	619	621				
	8-10	203-254					821	823			
	Débit (GPM)			0,18	0,24	0,31	0,39	0,47	0,57	0,67	0,78
	Débit (LPM)			0,68	0,91	1,17	1,47	1,78	2,15	2,53	2,95

## WARRANTY

Titan Tool, Inc., ("Titan") warrants that at the time of delivery to the original purchaser for use ("End User"), the equipment covered by this warranty is free from defects in material and workmanship. With the exception of any special, limited, or extended warranty published by Titan, Titan's obligation under this warranty is limited to replacing or repairing without charge those parts which, to Titan's reasonable satisfaction, are shown to be defective within twelve (12) months after sale to the End User. This warranty applies only when the unit is installed and operated in accordance with the recommendations and instructions of Titan.

This warranty does not apply in the case of damage or wear caused by abrasion, corrosion or misuse, negligence, accident, faulty installation, substitution of non-Titan component parts, or tampering with the unit in a manner to impair normal operation.

Defective parts are to be returned to an authorized Titan sales/service outlet. All transportation charges, including return to the factory, if necessary, are to be borne and prepaid by the End User. Repaired or replaced equipment will be returned to the End User transportation prepaid.

THERE IS NO OTHER EXPRESS WARRANTY. TITAN HEREBY DISCLAIMS ANY AND ALL IMPLIED WARRANTIES INCLUDING, BUT NOT LIMITED TO, THOSE OF MERCHANTABILITY AND FITNESS FOR A PARTICULAR PURPOSE, TO THE EXTENT PERMITTED BY LAW. THE DURATION OF ANY IMPLIED WARRANTIES WHICH CANNOT BE DISCLAIMED IS LIMITED TO THE TIME PERIOD SPECIFIED IN THE EXPRESS WARRANTY. IN NO CASE SHALL TITAN LIABILITY EXCEED THE AMOUNT OF THE PURCHASE PRICE. LIABILITY FOR CONSEQUENTIAL, INCIDENTAL OR SPECIAL DAMAGES UNDER ANY AND ALL WARRANTIES IS EXCLUDED TO THE EXTENT PERMITTED BY LAW.

TITAN MAKES NO WARRANTY AND DISCLAIMS ALL IMPLIED WARRANTIES OF MERCHANTABILITY AND FITNESS FOR A PARTICULAR PURPOSE WITH RESPECT TO ACCESSORIES, EQUIPMENT, MATERIALS OR COMPONENTS SOLD BUT NOT MANUFACTURED BY TITAN. THOSE ITEMS SOLD, BUT NOT MANUFACTURED BY TITAN (SUCH AS GAS ENGINES, SWITCHES, HOSES, ETC.) ARE SUBJECT TO THE WARRANTY, IF ANY, OF THEIR MANUFACTURER. TITAN WILL PROVIDE THE PURCHASER WITH REASONABLE ASSISTANCE IN MAKING ANY CLAIM FOR BREACH OF THESE WARRANTIES.

- GB -

### Note on disposal:

In observance of the European Directive 2012/19/EU on waste electrical and electronic equipment and implementation in accordance with national law, this product is not to be disposed of together with household waste material but must be recycled in an environmentally friendly way!



Titan or one of our dealers will take back your used Titan waste electrical or electronic equipment and will dispose of it for you in an environmentally friendly way. Please ask your local Titan service centre or dealer for details or contact us direct.

## EU Declaration of Conformity

We declare under sole responsibility that this product conforms to the following relevant stipulations:  
2006/42/EC, 2011/65/EU

Applied harmonised norms:  
EN ISO 12100:2010, EN 1953:2013

The EU declaration of conformity is enclosed with the product.  
If required, it can be re-ordered using order number **2382311**.

## GARANTIE

Titan Tool, Inc., ("Titan") garantiert, dass zum Zeitpunkt der Lieferung an den Käufer („Endverbraucher“) die Ausrüstung, die von dieser Garantie abgedeckt ist, frei von Material- und Fabrikationsfehler ist. Mit Ausnahme spezieller, eingeschränkter oder erweiterter Garantie, die Titan bekannt gegeben hat, ist die Gewährleistungsverpflichtung von Titan beschränkt auf den kostenlosen Austausch oder Nachbesserung für jene Teile, die, nachdem dies Titan nachvollziehbar nachgewiesen wurden, binnen zwölf (12) Monaten nach Verkauf an den Endverbraucher sich als fehlerhaft erweisen. Die Garantie greift nur, wenn das Gerät gemäß den Empfehlungen und Anweisungen von Titan installiert und bedient wurde.

Diese Garantie gilt nicht bei Beschädigung oder Abnutzung durch Abrieb, Korrosion oder unsachgemäße Benutzung, Unachtsamkeit, Unfall, unsachgemäße Installation, Verwendung von Ersatzteilen, die nicht von Titan stammen bzw. wenn Änderungen an dem Gerät vorgenommen wurden wodurch eine normale Benutzung beeinträchtigt wird

Defekte Teile müssen an den autorisierten Titan-Händler/ die autorisierte Titan-Niederlassung zurückgeschickt werden. Alle Transportkosten, einschließlich der Rücksendung an die Fabrik, falls erforderlich, sind vom Endverbraucher zu tragen und müssen im Voraus bezahlt werden. Repariertes oder ausgetauschtes Zubehör wird auf Kosten des Endverbrauchers nach Vorauszahlung der Transportkosten zurückgeschickt

ES GIBT SONST KEINE ANDERE MÄNGELGARANTIE. TITAN SCHLIESST HIERMIT ALLE UND JEDE STILLSCHWEIGENDE GARANTIE AUS, EINSCHLIESSLICH, JEDOCH NICHT BESCHRÄNKT AUF MARKTFÄHIGKEIT UND EIGNUNG FÜR EINEN BESTIMMTEN ZWECK, SOWEIT GESETZLICH ZULÄSSIG. DIE DAUER ALLER STILLSCHWEIGENDEN GARANTIEN, DIE NICHT AUSGESCHLOSSEN WERDEN KÖNNEN, SIND BESCHRÄNKT AUF DIE IN DER AUSDRÜCKLICHEN GARANTIE FESTGELEGTE DAUER. TITAN HAFTET IN KEINER WEISE ÜBER DEN KAUFPREIS HINAUS. DIE HAFTUNG FÜR FOLGESCHÄDEN, ZUFÄLLIGE SCHÄDEN ODER SPEZIELLE SCHÄDEN UNTER JEDER UND ALLEN GARANTIEN IST AUSGESCHLOSSEN SOWEIT GESETZLICH ZUGELASSEN.

TITAN ÜBERNIMMT KEINE GARANTIE UND SCHLIESST ALLE STILLSCHWEIGENDEN GARANTIEN AUF MARKTFÄHIGKEIT UND EIGNUNG FÜR EINEN BESTIMMTEN ZWECK BEZÜGLICH ZUBEHÖR, AUSRÜSTUNG, MATERIALIEN UND KOMPONENTEN AUS, DIE VON TITAN VERKAUFT, JEDOCH NICHT HERGESTELLT WURDEN. JENE VON TITAN VERKAUFTEN, JEDOCH NICHT VON TITAN HERGESTELLTEN KOMPONENTEN (WIE Z.B. GASMOTOREN, SCHALTER, SCHLÄUCHE, ETC.) UNTERLIEGEN DER GEWÄHRLEISTUNG DES JEWEILIGEN HERSTELLERS, SOFERN DIESE GEWÄHRT WERDEN. TITAN UNTERSTÜTZT DEN KÄUFER IN ANGEMESSENER WEISE, WENN ES UM ANSPRÜCHE WEGEN DER VERLETZUNG VON GEWÄHRLEITUNGEN GEHT.

- D -

### Entsorgungshinweis:

Gemäß der europäischen Richtlinie 2012/19/EU zur Entsorgung von Elektro-Altgeräten, und deren Umsetzung in nationales Recht, ist dieses Produkt nicht über den Hausmüll zu entsorgen, sondern muss der umweltgerechten Wiederverwertung zugeführt werden!



Ihr Titan-Altgerät wird von uns, bzw. unseren Handelsvertretungen zurückgenommen und für Sie umweltgerecht entsorgt. Wenden Sie sich in diesem Fall an einen unserer Service-Stützpunkte, bzw. Handelsvertretungen oder direkt an uns.

### EU Konformitätserklärung

Wir erklären in alleiniger Verantwortung, dass dieses Produkt den folgenden einschlägigen Bestimmungen entspricht: 2006/42/EC, 2011/65/EU

Angewandte harmonisierte Normen:  
EN ISO 12100:2010, EN 1953:2013

Die CE-Konformitätsbescheinigung liegt dem Produkt bei.  
Sie kann bei Bedarf mit der Bestellnummer **2382311** nachbestellt werden.

## GARANTIE

Titan Tool, Inc. ("Titan") garantit qu'au moment de la livraison à l'acheteur initial ("Utilisateur"), l'appareil couvert par la présente garantie sera exempt de défauts de matériaux et de fabrication. Exception faite de toute garantie particulière ou limitée et de toute extension de garantie publiées par Titan, la responsabilité de celui-ci se limite, en vertu de la présente garantie, au remplacement ou à la réparation sans frais des pièces dont le caractère défectueux aura été démontré de manière satisfaisante pour Titan, dans un délai de douze (12) mois après la date d'achat par l'Utilisateur. Cette garantie ne sera applicable que si l'appareil a été installé et utilisé conformément aux recommandations et directives de Titan.

Cette garantie ne sera pas applicable dans les cas d'endommagement ou d'usure dus à l'abrasion, la corrosion, un mauvais usage, la négligence, un accident, une installation incorrecte, un remplacement par des composants non fournis par Titan ou toute autre intervention non autorisée de nature à nuire au fonctionnement normal de l'appareil.

Les pièces défectueuses devront être envoyées à un centre de service / vente Titan autorisé. Les frais de transport couvrant y compris le retour à l'usine, seront, le cas échéant, prépayés par l'Utilisateur. Après réparation ou remplacement, les pièces seront renvoyées à ce dernier par transport prépayé.

AUCUNE AUTRE GARANTIE EXPRESSE N'EST ACCORDÉE. TITAN REJETTE TOUTE AUTRE GARANTIE IMPLICITE Y COMPRIS, NOTAMMENT, LES GARANTIES DE QUALITÉ MARCHANDE ET DE COMPATIBILITÉ AVEC UN USAGE PARTICULIER, DANS LES LIMITES PERMISES PAR LA LOI.

LA DURÉE DES GARANTIES IMPLICITES NE POUVANT FAIRE L'OBJET D'UNE RENONCIATION SE LIMITE À LA PÉRIODE INDIQUÉE DANS LA GARANTIE EXPRESSE.

LA RESPONSABILITÉ DE TITAN NE SAURAIT EN AUCUN CAS ÊTRE ENGAGÉE POUR UN MONTANT SUPÉRIEUR À CELUI DU PRIX D'ACHAT. TITAN EXCLUT TOUTE RESPONSABILITÉ RELATIVE AUX DOMMAGES INDIRECTS, ACCESSOIRES OU PARTICULIERS, DANS LES LIMITES PRÉVUES PAR LA LOI.

TITAN NE DONNE AUCUNE GARANTIE ET DÉCLINE TOUTE GARANTIE IMPLICITE DE QUALITÉ MARCHANDE ET DE COMPATIBILITÉ AVEC UN USAGE PARTICULIER EN CE QUI CONCERNE LES ACCESSOIRES, L'APPAREIL, LES MATÉRIAUX OU LES COMPOSANTS VENDUS MAIS NON FABRIQUÉS PAR TITAN. CES DERNIERS ÉLÉMENTS, VENDUS MAIS NON FABRIQUÉS PAR TITAN (MOTEURS À ESSENCE, COMMUTATEURS, FLEXIBLES, ETC.), SONT SOUMIS, LE CAS ÉCHÉANT, À LA GARANTIE DU FABRICANT. TITAN S'ENGAGE À PORTER ASSISTANCE AUX ACHETEURS, DANS LES LIMITES DU RAISONNABLE, POUR LA CONSTITUTION DE RÉCLAMATIONS RELATIVES AU NON RESPECT DE CES GARANTIES.

- F -

### Consignes d'élimination:

Selon la directive européenne 2012/19/UE sur l'élimination des vieux appareils électriques et sa conversion en droit national, ce produit ne peut pas être jeté dans les ordures ménagères, mais est à amener à un point de recyclage en vue d'une élimination dans le respect de l'environnement!



Titan, resp. nos représentations commerciales reprennent votre vieil appareil Titan pour l'éliminer dans le respect de l'environnement. Adressez-vous donc directement à nos points de service resp. représentations commerciales ou directement à nous.

### Déclaration de Conformité UE

Nous déclarons sous notre responsabilité que ce produit est en conformité avec les réglementations suivantes: 2006/42/CE, 2011/65/UE

Conforme aux normes et documents normalisés:  
EN ISO 12100:2010, EN 1953:2013

La déclaration de conformité UE est jointe à ce produit.

Elle peut être commandée au besoin sous le numéro de commande **2382311**.



**TITAN<sup>®</sup>**

**POWRLINER<sup>™</sup>**

**3500 / 3500S**

**PERMASTROKE TECHNOLOGY<sup>™</sup>**

Hydraulic Fluid Displacement Pump System Inside

**UNITED STATES SALES & SERVICE**

**WEB:** [www.titantool.com](http://www.titantool.com)

**PHONE:** 1-800-526-5362

1770 Fernbrook Lane

Minneapolis, MN 55447

**INTERNATIONAL**

**WEB:** [www.titantool-international.com](http://www.titantool-international.com)