



# TITAN®

## OPERATION MANUAL

# ELITE® 3500 72V

**PERMASTROKE TECHNOLOGY™**

Hydraulic Fluid Displacement Pump System Inside

AIRLESS, HIGH-PRESSURE  
SPRAYING UNIT

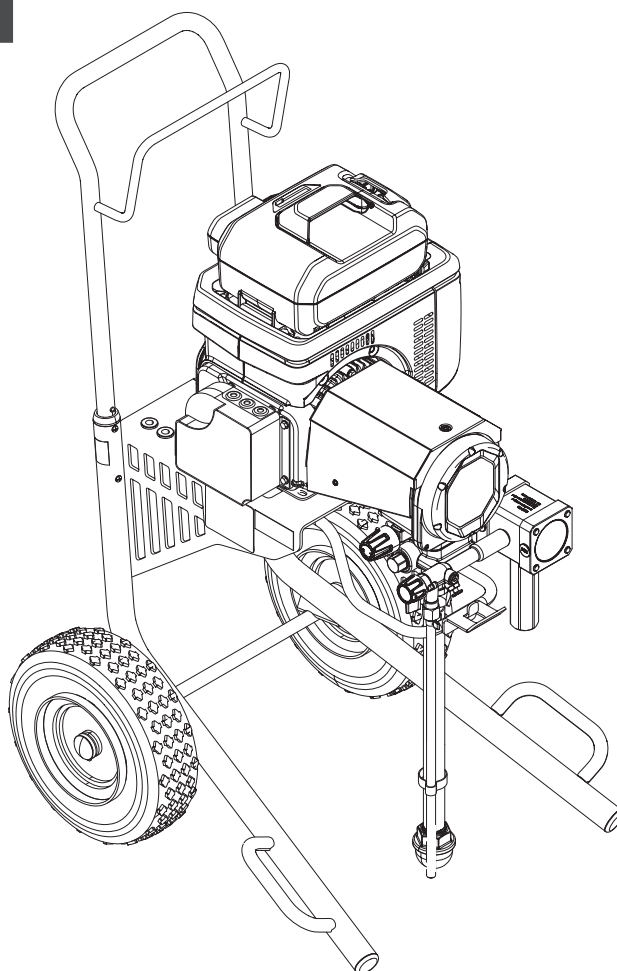
GROUPE DE PROJECTION À  
HAUTE PRESSION

AIRLESS EQUIPO DE ALTA  
PRESIÓN PARA PULVERIZAR

**MODELS:**

- |           |   |
|-----------|---|
| 2471428B1 | Elite 3500 72V + 1 Battery +<br>Charger (US-plug)   |
| 2471428B2 | Elite 3500 72V + 2 Batteries +<br>Charger (US-plug) |

- EN -	OPERATION MANUAL	2
- F -	MODE D'EMPLOI	22
- ES -	INSTRUCCIONES DE USO	42



# Warning!

**Attention: Danger of injury by injection!**  
Airless units develop extremely high spraying pressures.

**1**

**Never put your fingers, hands or any other parts of the body into the spray jet!**

**Never point the spray gun at yourself, other persons or animals.**

**Never use the spray gun without safety guard.**

**Do not treat a spraying injury as a harmless cut. In case of injury to the skin through coating materials or solvents, consult a doctor immediately for quick and expert treatment. Inform the doctor about the coating material or solvent used.**

**2**

**The operating instructions state that the following points must always be observed before starting up:**

1. Faulty units must not be used.
2. Secure Titan spray gun using the trigger lock on the trigger.
3. Ensure that the unit is properly earthed.
4. Check allowable operating pressure of high-pressure hose and spray gun.
5. Check all connections for leaks.

**3**

**The instructions regarding regular cleaning and maintenance of the unit must be strictly observed.**

**Before any work is done on the unit or for every break in work the following rules must be observed:**

1. Release the pressure from spray gun and hose.
2. Secure the Titan spray gun using the trigger lock on the trigger.
3. Switch off unit.

# Be safety conscious!

<b>1</b>	<b>SAFETY REGULATIONS FOR AIRLESS</b>	
	<b>SPRAYING</b>	<b>4</b>
1.1	Explanation of symbols used	4
1.2	Safety hazards	4
1.3	Power unit safety	6
1.4	Setup on an uneven surface	6
<b>2</b>	<b>MAIN AREAS OF APPLICATION</b>	<b>7</b>
2.1	Application	7
2.2	Coating materials	7
<b>3</b>	<b>DESCRIPTION OF UNIT</b>	<b>8</b>
3.1	Airless process	8
3.2	Instruction manuals list	8
3.3	Functioning of the unit	8
3.4	System diagram	9
3.5	Technical data	10
3.6	Transportation	10
<b>4</b>	<b>OPERATION</b>	<b>11</b>
4.1	High pressure hose and spray gun	11
4.2	Power Unit (Motor) startup / shutdown	12
4.3	Preparing a new sprayer	12
4.4	Preparing to paint	13
4.5	Pressure relief procedure	13
<b>5</b>	<b>SPRAYING</b>	<b>14</b>
5.1	Cleaning a clogged tip	14
5.2	Interruption of work	15
5.3	Handling the high pressure hose	15
<b>6</b>	<b>CLEANUP</b>	<b>16</b>
6.1	Special cleanup instructions for use with flammable solvents	16
6.2	Cleaning the sprayer	16
6.3	Cleaning the unit from outside	16
6.4	Suction filter	17
6.5	Cleaning the high-pressure filter	17
6.6	Cleaning the airless spray gun	18
<b>7</b>	<b>SERVICING</b>	<b>18</b>
7.1	General servicing	18
7.2	High pressure hose	18
7.3	Typical wear parts	19
7.4	Troubleshooting	20
	<b>WARRANTY</b>	<b>21</b>
	<b>ACCESSORIES</b>	<b>62</b>

# 1 SAFETY REGULATIONS FOR AIRLESS SPRAYING

## 1.1 EXPLANATION OF SYMBOLS USED

This manual contains information that must be read and understood before using the equipment. When you come to an area that has one of the following symbols, pay particular attention and make certain to heed the safeguard.



→ This symbol indicates a potential hazard that may cause serious injury or loss of life. Important safety information will follow.



Attention

→ This symbol indicates a potential hazard to you or to the equipment. Important information that tells how to prevent damage to the equipment or how to avoid causes of minor injuries will follow.



→ Danger of skin injection



→ Danger of fire from solvent and paint fumes



→ Danger of explosion from solvent, paint fumes and incompatible materials



→ Danger of injury from inhalation of harmful vapors



→ Notes give important information which should be given special attention.



### → **WARNING! CALIFORNIA PROPOSITION 65 WARNING**

This product can expose you to chemicals including lead, which are known to the State of California to cause cancer, birth defects, or other reproductive harm.

For more information go to [www.P65warnings.ca.gov](http://www.P65warnings.ca.gov).

## 1.2 SAFETY HAZARDS



### **HAZARD: INJECTION INJURY**

A high pressure stream produced by this equipment can pierce the skin and underlying tissues, leading to serious injury and possible amputation.

Do not treat a spraying injury as a harmless cut. In case of injury to the skin through coating materials or solvents, consult a doctor immediately for quick and expert treatment. Inform the doctor about the coating material or solvent used.

### **PREVENTION:**

- NEVER aim the gun at any part of the body.
- NEVER allow any part of the body to touch the fluid stream. DO NOT allow body to touch a leak in the fluid hose.
- NEVER put your hand in front of the gun. Gloves will not provide protection against an injection injury.
- ALWAYS lock the gun trigger, shut the fluid pump off and release all pressure before servicing, cleaning the tip guard, changing tips, or leaving unattended. Pressure will not be released by turning off the engine. The PRIME/SPRAY valve or pressure bleed valve must be turned to their appropriate positions to relieve system pressure.
- ALWAYS keep tip guard in place while spraying. The tip guard provides some protection but is mainly a warning device.
- ALWAYS remove the spray tip before flushing or cleaning the system.
- NEVER use a spray gun without a working trigger lock and trigger guard in place.
- All accessories must be rated at or above the maximum operating pressure range of the sprayer. This includes spray tips, guns, extensions, and hose.



### HAZARD: HIGH PRESSURE HOSE

The paint hose can develop leaks from wear, kinking and abuse. A leak can inject material into the skin. Inspect the hose before each use.

#### PREVENTION:

- Avoid sharp bending or kinking of the high-pressure hose. The smallest bending radius amounts to about 8" (20 cm).
- Do not drive over the high-pressure hose. Protect against sharp objects and edges.
- Replace any damaged high-pressure hose immediately.
- Never repair damaged high-pressure hoses yourself!
- Electrostatic charging of spray guns and the high-pressure hose is discharged through the high-pressure hose. For this reason the electric resistance between the connections of the high-pressure hose must be equal to or lower than 1MΩ.
- For reasons of function, safety and durability use only original Titan high-pressure hoses.
- Before each use, check all hoses for cuts, leaks, abrasion or bulging of cover. Check for damage or movement of couplings. Immediately replace the hose if any of these conditions exist. Never repair a paint hose. Replace it with another earthed high-pressure hose.
- Make sure power cord, air hose and spray hoses are routed in such a manner to minimize slip, trip and fall hazard.



### HAZARD: EXPLOSION OR FIRE

Flammable vapors, such as solvent and paint vapors, in work area can ignite or explode.



#### PREVENTION:

- Use equipment only in well ventilated area. Keep a good supply of fresh air moving through the area to keep the air within the spray area free from accumulation of flammable vapors. Keep pump assembly in well ventilated area. Do not spray pump assembly.
- Eliminate all ignition sources, such as pilot lights, cigarettes, portable electric lamps and plastic drop cloths (potential static arc).
- Keep work area free of debris, including solvent, rags and gasoline.
- Do not plug or unplug power cords, or turn power or light switches on or off when flammable vapors are present.
- Ground equipment and conductive objects in work area. Make sure the grounding cable (not equipped) is connected from the grounding lug to a true earth ground.
- Use only grounded hoses.
- Hold spray gun firmly to the side of a grounded pail when triggering into pail.
- If there is static sparking or if you feel a shock, stop operation immediately.
- Know the contents of the paint and solvents being sprayed. Read all material Safety Data Sheets (SDS) and container labels provided with the paints and solvents. Follow the paint and solvent manufacturer's safety instructions.
- Do not use a paint or solvent containing halogenated hydrocarbons. Such as chlorine, bleach, mildewcide, methylene chloride and trichloroethane. They are not compatible with aluminum. Contact the coating supplier about compatibility of material with aluminum.
- Keep a fire extinguisher in work area.

**HAZARD: HAZARDOUS VAPORS**

Paints, solvents, and other materials can be harmful if inhaled or come in contact with body. Vapors can cause severe nausea, fainting, or poisoning.

**PREVENTION:**

- Wear respiratory protection when spraying. Read all instructions supplied with the mask to be sure it will provide the necessary protection.
- All local regulations regarding protection against hazardous vapors must be observed.
- Wear protective eyewear.
- Protective clothing, gloves and possibly skin protection cream are necessary for the protection of the skin. Observe the regulations of the manufacturer concerning coating materials, solvents and cleaning agents in preparation, processing and cleaning units.

**HAZARD: GENERAL**

This product can cause severe injury or property damage.

**PREVENTION:**

- Follow all appropriate local, state, and national codes governing ventilation, fire prevention, and operation.
- Pulling the trigger causes a recoil force to the hand that is holding the spray gun. The recoil force of the spray gun is particularly powerful when the tip has been removed and high pressure has been set on the airless pump. When cleaning without a spray tip, set the pressure control knob to the lowest pressure.
- Use only manufacturer authorized parts. User assumes all risks and liabilities when using parts that do not meet the minimum specifications and safety devices of the pump manufacturer.
- ALWAYS follow the material manufacturer's instructions for safe handling of paint and solvents.
- Clean up all material and solvent spills immediately to prevent slip hazard.
- Wear ear protection.
- Never leave this equipment unattended. Keep away from children or anyone not familiar with the operation of airless equipment.
- Do not spray on windy days.
- The device and all related liquids (i.e. hydraulic oil) must be disposed of in an environmentally friendly way.



DO NOT use this equipment to spray water or acid.



Do not lift by cart handle when loading or unloading.

Device is very heavy. Three-person lift is required.

**1.3 POWER UNIT SAFETY**

Prior to using the unit, familiarize yourself with all of the warnings and instructions contained in the supplied Honda manuals:

- 1) Battery Pack
- 2) Battery Charger
- 3) Power Unit

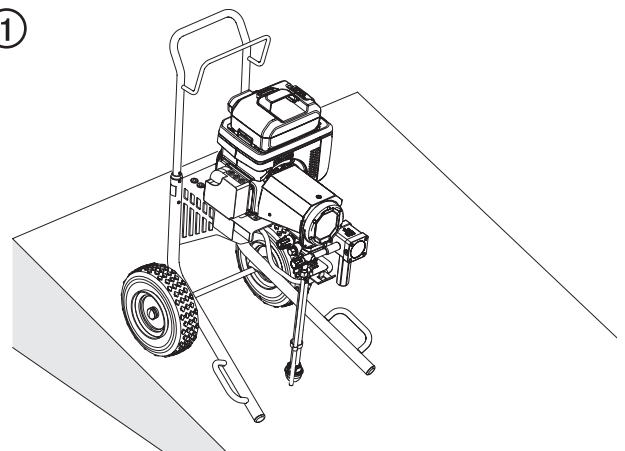
These manuals contain information that are essential to operating the unit correctly and safely.

**1.4 SETUP ON AN UNEVEN SURFACE**

The front end must always point downwards in order to avoid sliding away.

If possible do not use the unit on an inclined surface since the unit tends to wander due to the resulting vibrations.

①



## 2 MAIN AREAS OF APPLICATION

### 2.1 APPLICATION

The main area of application are thick layers of highly viscous coating material for large areas and a high consumption of material.

Priming and final coating of large areas, sealing, impregnation, construction sanitation, façade protection and renovation, rust protection and building protection, concrete sanitation, as well as heavy corrosion protection.

#### EXAMPLES OF OBJECTS TO BE SPRAYED

Large-scale construction sites, cooling towers, bridges, sewage treatment plants and terraces.

### 2.2 COATING MATERIALS

#### PROCESSIBLE COATING MATERIALS

Diluting lacquers and paints or those containing solvents, two-component coating materials, dispersion and latex paints.

No other materials should be used for spraying without Titan's approval.



Pay attention to the Airless quality of the coating materials to be processed.

#### VISCOSITY

The unit is able to process coating materials with up to 20,000 mPas. If highly viscous coating materials cannot be taken in or the performance of the unit is too low, the paint must be diluted in accordance with the manufacturer's instructions.



Attention: Make sure, when stirring up with motor-driven agitators that no air bubbles are stirred in. Air bubbles disturb when spraying and can, in fact, lead to interruption of operation.

#### COATING MATERIALS WITH ABRASIVE MATERIALS

These particles have a strong wear and tear effect on valves and tips, but also on the spray gun. This impairs the durability of these wearing parts considerably.

#### FILTERING

Sufficient filtering is required for fault-free operation. The unit is equipped with a suction filter, an insertion filter in the spray gun and a high pressure filter on the unit. Regular inspection of these filters for damage or soiling is urgently recommended.

### 3 DESCRIPTION OF UNIT

#### 3.1 AIRLESS PROCESS

A diaphragm pump takes in the coating material by suction and conveys it to the tip. Pressed through the tip at a pressure of up to a maximum of 3300 psi (228 bar, 22.8 MPa), the coating material is atomised. This high pressure has the effect of micro fine atomization of the coating material.

As no air is used in this process, it is described as an AIRLESS process.

This method of spraying has the advantages of finest atomization, cloudless operation and a smooth, bubble-free surface. As well as these, the advantages of the speed of work and convenience must be mentioned.

#### 3.2 INSTRUCTION MANUALS LIST

The following is a list of the available instruction manuals for this unit.

Online items can be downloaded at [www.titantool.com](http://www.titantool.com)

DESCRIPTION	FORM #	HOW TO FIND
<b>Operation Manual</b>		
EN/F/ES	2470620	<ul style="list-style-type: none"> <li>• included with unit</li> <li>• online</li> </ul>
<b>Service manual, Spare Parts</b>		
EN/F/ES	2470621	<ul style="list-style-type: none"> <li>• online</li> </ul>
<b>Operation / Service Manual, RX-Pro Spray Gun</b>		
All languages	538801	<ul style="list-style-type: none"> <li>• included with unit</li> <li>• online</li> </ul>

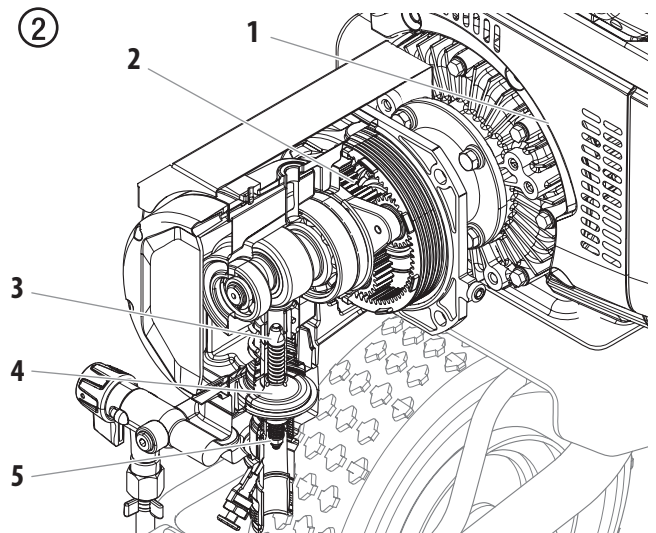
#### 3.3 FUNCTIONING OF THE UNIT

The following section contains a brief description of the technical construction for better understanding of the function of the unit:

Elite 3500 72V is an electric motor-driven high-pressure paint sprayer.

The electric motor (Fig. 2, 1) drives the hydraulic pump via planetary gears (2). A piston (3) is moved up and down so that hydraulic oil is moved under the diaphragm (4) which then moves.

The downwards movement of the machine opens the disk inlet valve (5) automatically and coating material is sucked in.



During the upwards movement of the diaphragm, the coating material is displaced and the outlet valve opens while the inlet valve is closed.

The coating material flows under high pressure through the high-pressure hose to the spray gun and is atomized when it exits from the tip.

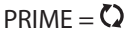
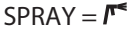
The pressure control valve limits the set pressure in the hydraulic oil circuit and thus also the pressure of the coating material.

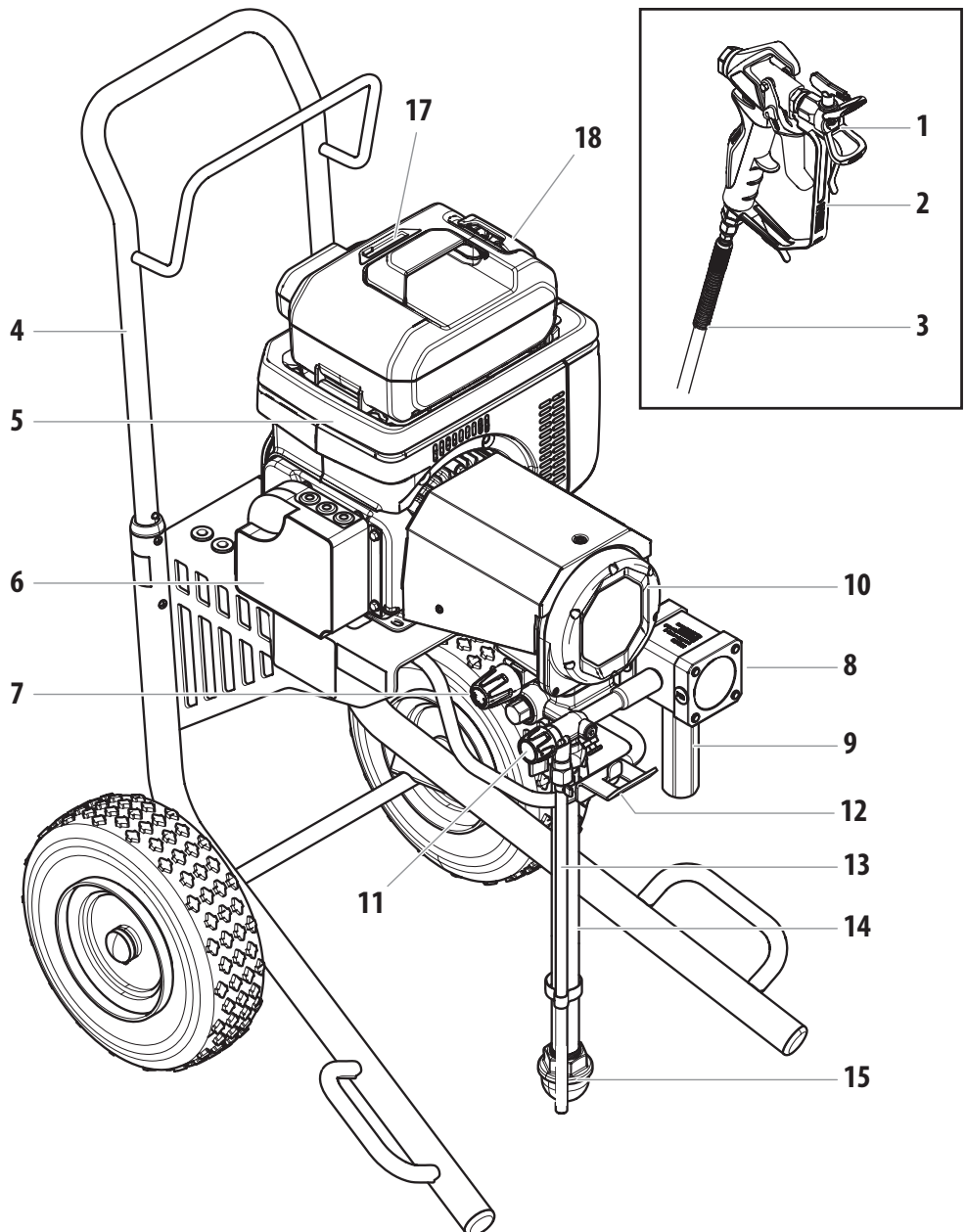
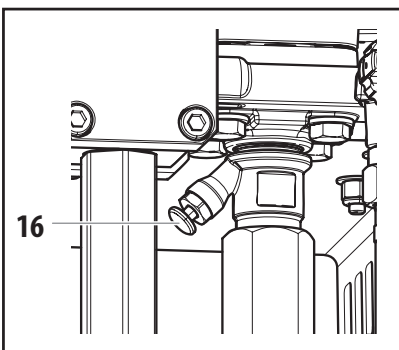
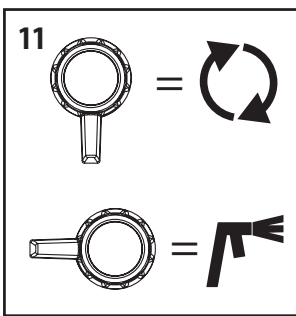
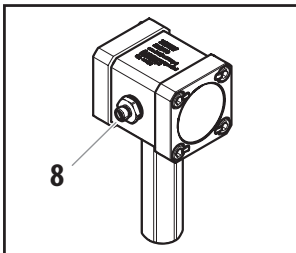
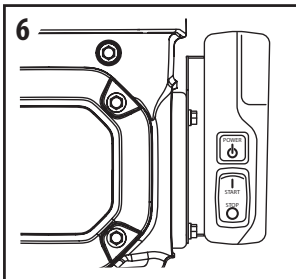
A pressure change when the same tip is used also leads to a change in the amount of paint atomized.



**3.4 SYSTEM DIAGRAM**

- 1. Tip guard with airless tip
- 2. Spray gun
- 3. High-pressure hose
- 4. Cart
- 5. Electric motor
- 6. Motor controls (see section 4.2)
- 7. Pressure control knob
- 8. High-pressure hose connection
- 9. High pressure filter
- 10. Pump assembly

- 11. Relief valve  
PRIME =   
SPRAY = 
- 12. Pail hook
- 13. Bleed hose
- 14. Suction tube
- 15. Suction filter
- 16. Pusher stem
- 17. Charge level indicator
- 18. Battery pack



### 3.5 TECHNICAL DATA

Elite 3500 72V	
<b>DC Power Motor</b>	Honda GXE 2.0H
<b>Rechargeable Li-Ion Battery</b>	DC 72V, 720 Wh, 10Ah
<b>Max. operating pressure</b>	3300 psi (22,8 MPa, 228 bar)
<b>Max. volume flow</b>	0.75 gal/min (2.8 l/min)
<b>Volume flow at 0.6 MPa (6 bar) with water</b>	0.61 gal/min (2.3 l/min)
<b>Max. temperature of the coating material</b>	109° F (43 °C)
<b>Material hose connection</b>	1/4"-18 NPSM
<b>Max. viscosity</b>	20,000 mPas
<b>Max. size of tip with a spray gun</b>	0.027" – 0.68 mm
<b>Empty weight</b>	
without battery	113 lbs (51 kg)
with battery	127 lbs (58 kg)
<b>Dimensions (L x W x H)</b>	
	29.6" x 24.7" x 43.9" 75 cm x 63 cm x 112 cm
<b>Hydraulic oil filling quantity</b>	
Hydraulics housing	1.15 liter
Gears	0.05 liter
<b>Max. vibration at the spray gun</b>	
	lower than 2.5 m/s <sup>2</sup>
<b>Max. sound pressure level</b>	
	74 dB (A)*

\* Place of measurement: 1 m distance from unit and 1.60m above floor, 12 MPa (120 bar) operating pressure, reverberant floor

### OPERATING TEMPERATURE

This equipment will operate correctly in its intended ambient, at a minimum between +50°F (10°C) and 104°F (+40°C).

### RELATIVE HUMIDITY

The equipment will operate correctly within an environment at 50% RH, 104°F (+40°C). Higher RH may be allowed at lower temperatures.

Measures shall be taken by the Purchaser to avoid the harmful effects of occasional condensation.

### TRANSPORTATION AND STORAGE

This equipment will withstand, or has been protected against, transportation and storage temperatures of 23°F (-5°C) to 86°F (30°C) and for short periods up to 150°F (70°C).

It has been packaged to prevent damage from the effects of normal humidity, vibration and shock.

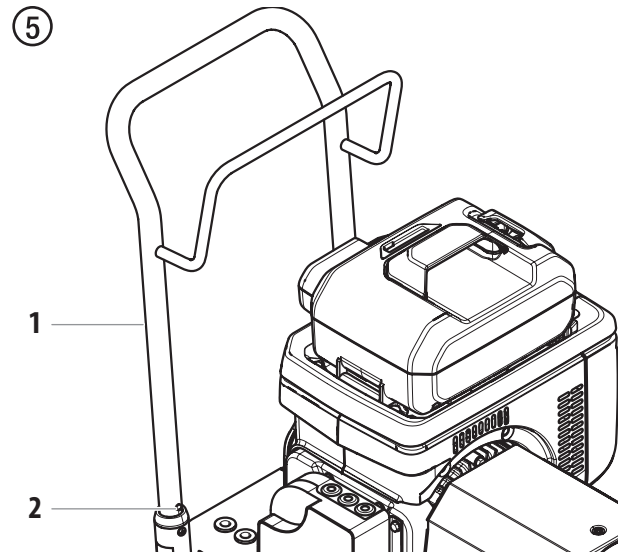
### 3.6 TRANSPORTATION

#### TRANSPORTATION IN VEHICLE



Secure the unit with a suitable fastening.

#### PUSHING OR PULLING THE UNIT

Pull out the handle (Fig. 5, Item 1) until it will come no further. Insert the handle – push the buttons (2) on the cart, and then push in the handle.

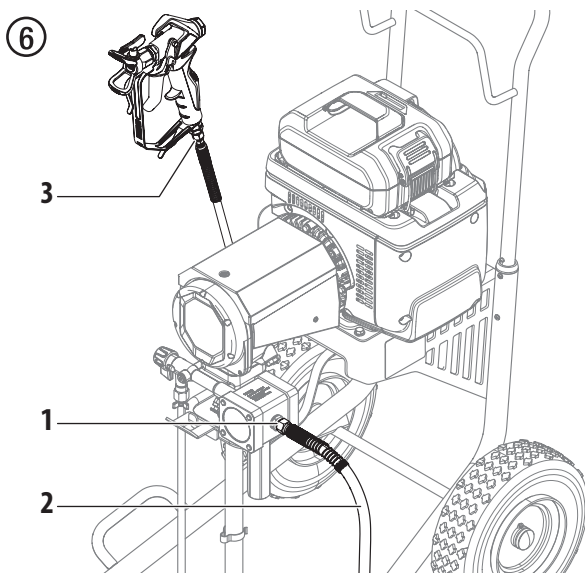


## 4 OPERATION

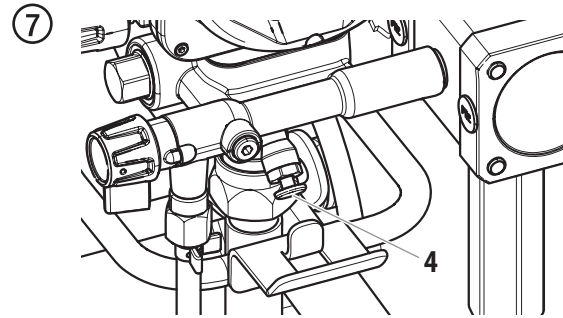
	<p>This equipment produces a fluid stream at extremely high pressure. Read and understand the warnings in the Safety Precautions section at the front of this manual before operating this equipment.</p>
	<p>Pre-Setup Checklist:</p> <ul style="list-style-type: none"> <li>• Make sure battery pack is fully charged</li> <li>• Make sure battery pack is correctly installed onto the Power Unit.</li> <li>• Familiarize yourself to the Power Unit controls and features.</li> <li>• Refer to the Honda instruction manuals (Battery Pack, Battery Charger, and Power Unit) for all safety information and usage instructions for the Power Unit.</li> </ul>

### 4.1 HIGH PRESSURE HOSE AND SPRAY GUN


1. Screw the high-pressure hose (2) to the coating material outlet (Fig. 6, Item 1).
2. Screw the spray gun (3) with the selected tip onto the high pressure hose.
3. Tighten the union nuts at the high-pressure hoses firmly so that coating material does not leak.




4. Fully depress the pusher stem (Fig. 7, item 4) to make sure the inlet ball is free.



5. Make sure the sprayer is grounded. All sprayers are equipped with a grounding lug. A grounding cable (not supplied) should be used to connect the sprayer to a true earth ground. Check your local electrical regulations for detailed earthing instructions.

	<p>Proper grounding/earthing is important. The passage of some materials through the nylon fluid hose will build up a static electric charge, which if discharged, could ignite solvent vapors present and create an explosion.</p>
--	---

6. Strain all paints with a nylon strainer to ensure trouble free operation and freedom from frequent cleaning of the suction filter and gun filter.
7. Make sure the spray area is well ventilated to prevent hazardous operation with volatile solvents.

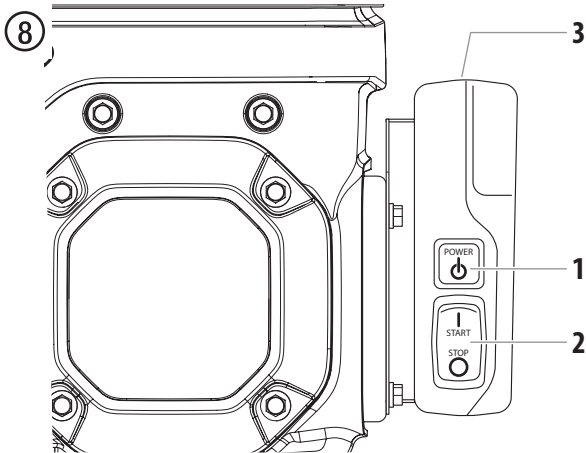
	<p>If lacquer or other flammable materials are to be sprayed, ALWAYS locate the sprayer outside the immediate spraying area. Failure to do so may cause an explosion.</p>
---	---

8. Locate the sprayer outside the immediate spraying area to avoid clogged air intake of the engine with overspray.

### 4.2 POWER UNIT (MOTOR) STARTUP / SHUTDOWN

**i** Follow these steps whenever instructed to start up the motor.  
Refer to the Honda instruction manuals (Battery Pack, Battery Charger, and Power Unit) for all safety information and usage instructions for the Power Unit.

1. Make sure battery is charged and installed correctly.
2. Press the "POWER" button (Fig. 8, item 1) to switch the power on. The green power indicator light (3) will turn on after a few seconds.
3. Press "START" (2) to start the motor.



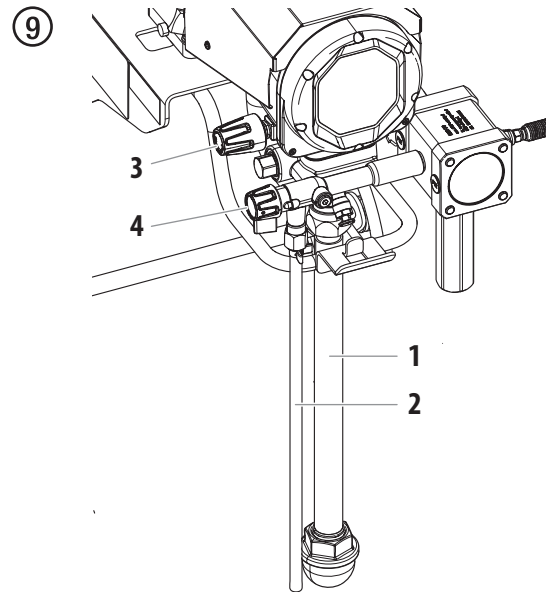
4. To shut off the motor, press the "STOP" switch. This will also switch off power to the system.

**Warning:** INJECTION HAZARD. Shutting off the power to the unit does not automatically relieve system pressure. Follow the Pressure Relief Procedure (Section 4.5).

### 4.3 PREPARING A NEW SPRAYER

<b>i</b>	If this unit is new, it is shipped with test fluid in the fluid section to prevent corrosion during shipment and storage. This fluid must be thoroughly cleaned out of the system with mineral spirits before you begin spraying.
<b>Attention</b>	Always keep the trigger lock on the spray gun in the locked position while preparing the system. Refer to the spray gun instruction manual for trigger lock instructions.
<b>i</b>	Make sure that the spray gun does not have a tip or tip guard installed.

1. Immerse the suction tube (Fig. 9, Item 1) and return hose (2) into a container with a suitable cleaning agent.
2. Turn the pressure control knob counterclockwise (3) to minimum pressure.
3. Turn the relief valve (4) to PRIME (↻ circulation).



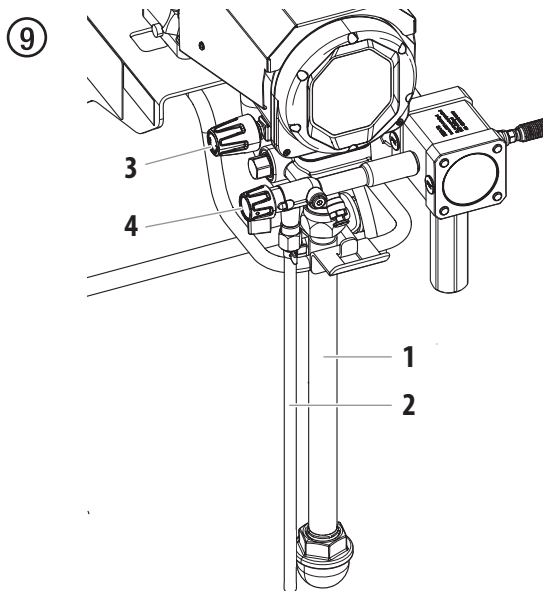
4. Start the motor (refer to section 4.2).
5. Wait until the cleaning agent exudes from the return hose.
6. Turn the relief valve (4) to SPRAY (↻ spray).
7. Unlock the spray gun (refer to spray gun manual). Pull the trigger of the spray gun.
8. Spray the cleaning agent from the unit into an open collecting container.

### 4.4 PREPARING TO PAINT



Make sure that the spray gun does not have a tip or tip guard installed.

1. Immerse the suction tube (Fig. 9, Item 1) and return hose (2) into the coating material container.
2. Turn the pressure control knob counterclockwise (3) to minimum pressure.
3. Turn the relief valve (4) to PRIME (↻ circulation).

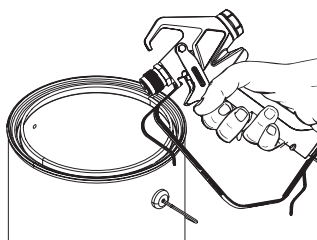


4. Start the motor (refer to section 4.2).
5. Turn the relief valve (4) to SPRAY (↻ spray).
6. Pull the trigger of the spray gun.
7. Trigger the spray gun several times and spray into a collecting container until the coating material exits the spray gun without interruption.



Ground/Earth the gun by holding it against the edge of the metal container while flushing. Failure to do so may lead to a static electric discharge, which may cause a fire.

10



8. Lock the gun by turning the gun trigger lock to the locked position (refer to spray gun manual).
9. Attach tip guard and tip to the gun as instructed by the tip guard or tip manuals.



**POSSIBLE INJECTION HAZARD.** Do not spray without the tip guard in place. Never trigger the gun unless the tip is in either the spray or the unclog position. Always engage the gun trigger lock before removing, replacing or cleaning tip.

10. Increase the pressure by slowly turning up the pressure control knob.  
Check the spray pattern and increase the pressure until the atomization is correct.  
Always turn the pressure control knob to the lowest setting with good atomization.
11. The unit is ready to spray.



Turning the pressure up higher than needed to atomize the paint will cause premature tip wear and additional overspray.

### 4.5 PRESSURE RELIEF PROCEDURE



Be sure to follow the Pressure Relief Procedure when shutting the unit down for any purpose, including servicing or adjusting any part of the spray system, changing or cleaning spray nozzles, or preparing for cleanup.

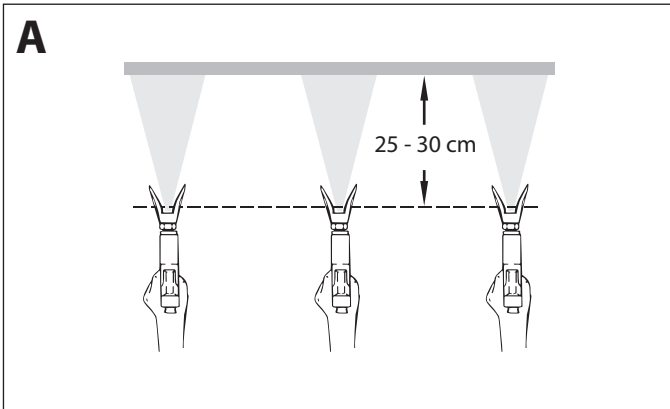
1. Lock the spray gun by turning the gun trigger lock to the locked position.
2. Set the pressure to minimum by turning the pressure control knob fully counterclockwise.
3. Turn the relief valve (4) to PRIME (↻ circulation).
4. Press the START/STOP switch over to STOP.
5. Unlock the gun by pushing the gun trigger lock to the unlocked position (refer to spray gun manual).
6. Hold the metal part of the gun firmly to the side of a metal waste container to ground/earth the gun and avoid a build up of static electricity.
7. Trigger the gun to remove any pressure that may still be in the hose.
8. Lock the gun by pushing the gun trigger lock to the locked position (refer to spray gun manual).

## 5 SPRAYING

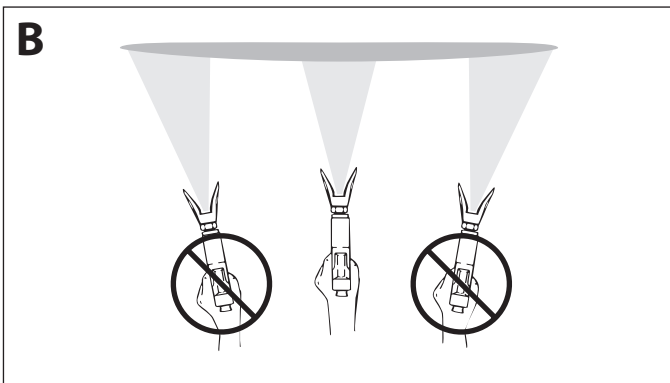


Injection hazard. Do not spray without the tip guard in place. NEVER trigger the gun unless the tip is completely turned to either the spray or the unplug position. ALWAYS engage the gun trigger lock before removing, replacing or cleaning tip.

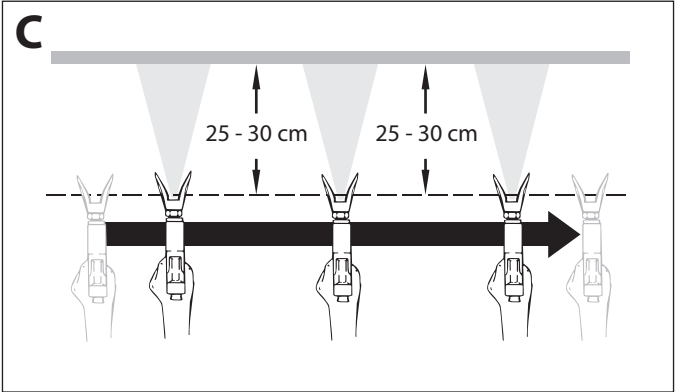
- A)** The key to a good paint job is an even coating over the entire surface. Keep your arm moving at a constant speed and keep the spray gun at a constant distance from the surface. The best spraying distance is 10-12 inches (25 to 30 cm) between the spray tip and the surface.



- B)** Keep the spray gun at right angles to the surface. This means moving your entire arm back and forth rather than just flexing your wrist. Keep the spray gun perpendicular to the surface, otherwise one end of the pattern will be thicker than the other.



- C)** Trigger gun after starting the stroke. Release the trigger before ending the stroke. The spray gun should be moving when the trigger is pulled and released. Overlap each stroke by about 30%. This will ensure an even coating.



If very sharp edges result or if there are streaks in the spray jet – increase the operating pressure or dilute the coating material.

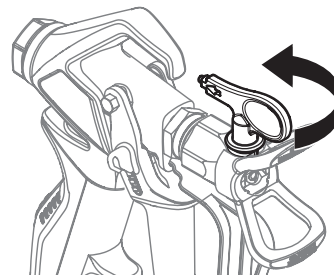
### 5.1 CLEANING A CLOGGED TIP



If the spray pattern becomes distorted or stops completely while pulling the trigger, perform the steps below.

1. Turn the relief valve to PRIME (↻ circulation).
2. If the tip clogs, rotate the tip handle 180° until the arrow on the handle is facing the opposite of the spray direction and the handle clicks in the reverse position (Fig. 11).
3. Turn the relief valve to SPRAY (↖ spray).

11




4. Trigger the gun once so that the pressure can blow the clog out. NEVER use the tip in the reverse position for more than ONE trigger pull at a time. This procedure can be repeated until the tip is free of clogging.





The flow from the spray tip is at very high pressure. Contact with any body part may be dangerous. Do not place finger on gun outlet. Do not point the gun at any person. Never operate the spray gun without the proper tip guard.



## 5.2 INTERRUPTION OF WORK

	Follow these steps if stopping work for up to 20 hours.
---	---

1. Follow the "Pressure Relief Procedure" found in the Operation section of this manual, section 4.5.
2. Place the spray gun in a plastic bag, or drop it into a bucket of water.
3. Leave the suction tube and return hose immersed in the coating material or immerse it into a corresponding cleaning agent.
4. Cover the coating material with plastic and place unit in a cool, shaded spot to keep material from drying out.

 <b>Attention</b>	If fast-drying or two-component coating material is used, ensure that the unit is rinsed with a suitable cleaning agent within the processing time.
	When ready to being spraying again, remove the plastic from the material container and restart the sprayer by following the steps in section 4.4.

## 5.3 HANDLING THE HIGH-PRESSURE HOSE




	The unit is equipped with a high-pressure hose specially suited for airless pumps.
	Danger of injury through leaking high-pressure hose. Replace any damaged high-pressure hose immediately. Never repair defective high-pressure hoses yourself!

The high-pressure hose is to be handled with care. Avoid sharp bends and folds: the smallest bending radius is about 8" (20 cm).



Do not drive over the high-pressure hose. Protect against sharp objects and edges.

Never pull on the high-pressure hose to move the device.

Make sure that the high-pressure hose cannot twist. This can be avoided by using a Titan spray gun with a swivel joint and a hose system.

	When using the high-pressure hose while working on scaffolding, it is best to always guide the hose along the outside of the scaffolding.
	The risk of damage rises with the age of the high-pressure hose. Titan recommends replacing high-pressure hoses after 6 years.
	Use only Titan original-high-pressure hoses in order to ensure functionality, safety and durability.

## 6 CLEANUP


 <b>Attention</b>	<p>The sprayer, hose, and gun should be cleaned thoroughly after daily use. Failure to do so permits material to build up, seriously affecting the performance of the unit.</p>
	<p>Always spray at minimum pressure with the gun nozzle tip removed when using mineral spirits or any other solvent to clean the sprayer, hose, or gun. Static electricity buildup may result in a fire or explosion in the presence of flammable vapors.</p>

### 6.1 SPECIAL CLEANUP INSTRUCTIONS FOR USE WITH FLAMMABLE SOLVENTS

- Always flush spray gun preferably outside and at least one hose length from spray pump.
- If collecting flushed solvents in a one gallon metal container, place it into an empty five gallon container, then flush solvents.
- Area must be free of flammable vapors.
- Follow all cleanup instructions.


### 6.2 CLEANING THE SPRAYER

1. Follow the "Pressure Relief Procedure" found in the Operation section of this manual, section 4.5.
2. Remove the gun tip and tip guard and clean with a brush using the appropriate solvent.
3. Place the siphon tube into a container of the appropriate solvent.


 <b>Attention</b>	<p>Use only compatible solvents when cleaning out oil based enamels, lacquers, coal tar, and epoxies. Check with the fluid manufacturer for the recommended solvent.</p>
---	--

4. Place the bleed hose into a metal waste container.
5. Set the pressure to minimum by turning the pressure control knob fully counterclockwise.
6. Turn the relief valve to PRIME (↻ circulation).
7. Start the motor (refer to section 4.2).
8. Allow the solvent to circulate through the sprayer and flush the paint out of the bleed hose into the metal waste container.


9. Turn the relief valve to SPRAY (↻ spray).

	<p>Earth the gun by holding it against the edge of the metal container while flushing. Failure to do so may lead to a static electric discharge, which may cause a fire.</p>
---	--


10. Trigger the gun into the metal waste container until the paint is flushed out of the hose and solvent is coming out of the gun.
11. Continue to trigger the spray gun into the waste container until the solvent coming out of the gun is clean.

	<p>For long-term, cold weather storage, or any freezing temperature exposure pump mineral spirits through the entire system.</p> <p>For short-term storage not exposed to freezing temperatures when using latex paint, pump water mixed with Titan Liquid Shield through the entire system (see Accessories section of this manual for part number and product label for dilution instructions).</p>
---	---

12. Follow the "Pressure Relief Procedure" found in the Operation section of this manual.
13. Store the sprayer in a clean, dry area.

 <b>Attention</b>	<p>Do not store the sprayer under pressure.</p>
---	---

### 6.3 CLEANING UNIT FROM OUTSIDE

 <b>Attention</b>	<p>Never spray down the unit with high-pressure washer or high-pressure steam cleaners.</p> <p>Do not put the high-pressure hose into solvents. Use only a wet cloth to wipe down the outside of the hose.</p>
---	--

Wipe down unit externally with a cloth which has been immersed in a suitable cleaning agent.



### 6.4 SUCTION FILTER

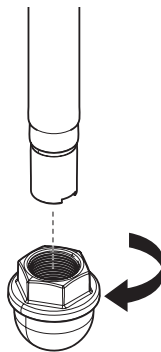


A clean suction filter always guarantees maximum feed quantity, constant spraying pressure and problem-free functioning of the unit.

1. Screw off the filter (Fig. 12) from suction tube.
2. Clean or replace the filter.

Carry out cleaning with a hard brush and an appropriate cleaning agent.

12

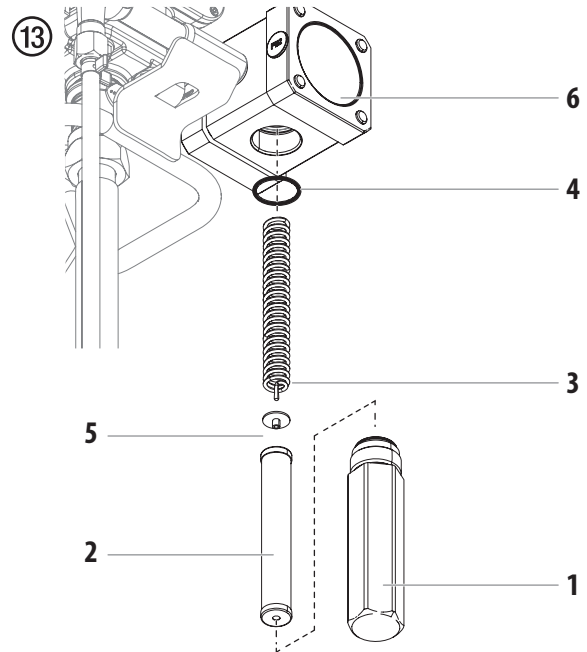


### 6.5 CLEANING THE HIGH-PRESSURE FILTER



Clean the filter cartridge regularly. A soiled or clogged high-pressure filter can cause a poor spray pattern or a clogged tip.

1. Follow the "Pressure Relief Procedure" found in the Operation section of this manual, section 4.5.
2. Unscrew the filter housing (Fig. 13, Item 1) with an adjustable wrench.
3. Pull the filter cartridge (2) from the filter support (3).
4. Clean all the parts with the corresponding cleaning agent. If necessary, replace the filter cartridge.
5. Check the O-ring (4), replace it if necessary.
6. Place the filter insert (5) against the filter support (3). Slide the filter cartridge (2) over the bearing spring.
7. Screw in filter housing (1) and tighten it as far as possible with the adjustable wrench.



Attention

The pulsation dampener (6) carries a lifetime warranty.

The pulsation dampener contains nitrogen gas and should never be opened. Tampering with the pulsation dampener (i.e. removing the four bolts on the dampener face) will void the lifetime warranty.

Contact Titan Technical Service at 1-800-526-5362 if you believe the pulsation dampener requires service.

## 6.6 CLEANING AIRLESS SPRAY GUN



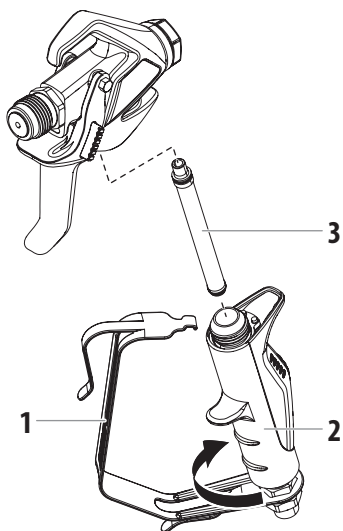
Clean the spray gun after each use.

1. Rinse airless spray gun with an appropriate cleaning agent.
2. Clean tip thoroughly with appropriate cleaning agent so that no coating material residue remains.
3. Thoroughly clean the outside of the airless spray gun.

### INTAKE FILTER IN AIRLESS SPRAY GUN (FIG. 14)

1. Unclip the top of the trigger guard (1) from the gun head.
2. Using the bottom of the trigger guard as a wrench, loosen and remove the handle assembly (2) from the gun head.
3. Pull the old filter (3) out of the gun head. Clean or replace.
4. Slide the new filter, tapered end first, into the gun head.
5. Thread the handle assembly into the gun head. Tighten with the trigger wrench.
6. Snap the trigger guard back onto the gun head.

14



## 7 SERVICING

### 7.1 GENERAL SERVICING



We strongly recommend having an annual check carried out by technicians for safety reasons. Please observe all the applicable national regulations.

#### MINIMUM CHECK BEFORE EVERY STARTUP:

1. Check the high-pressure hose and spray gun connections.

#### CHECK AT PERIODICAL INTERVALS:

1. Check inlet and outlet valve according wear. Clean it and replace worn out parts.
2. Check all filter inserts (spray gun, suction system and pump filter) clean it and replace if necessary.

### 7.2 HIGH-PRESSURE HOSE

Inspect the high-pressure hose visually for any notches or bulges, in particular at the transition in the fittings. It must be possible to turn the union nuts freely. A conductivity of less than 1 MΩ must exist across the entire length.



Attention

Have all the electric tests carried by an Authorized Titan Service Center.



The risk of damage rises with the age of the high-pressure hose. Titan recommends replacing high-pressure hoses after 6 years.

---

### 7.3 TYPICAL WEAR PARTS

Despite the use of high-quality materials the highly abrasive effect of the paints means that wear can occur at the following parts:

**INLET VALVE** (spare part Order No.: 2393043)

For replacing refer to Section 2.2 (Service Manual)

(failure becomes noticeable through performance loss and/or poor or no suction)

**OUTLET VALVE** (spare part Order No.: 2369445)

For replacing refer to Section 2.3 (Service Manual)

## 7.4 TROUBLESHOOTING

Type of malfunction	What else?	Possible cause	Measures for eliminating the malfunction
Unit does not start		Battery pack is discharged	Charge the battery
		Battery pack not properly installed	Correctly install the battery pack to the power unit
Unit does not suck in	Air bubbles do not exit at the return hose	Inlet valve clogged	Press the inlet valve button until the stop is reached several times by hand
		Inlet/outlet valve soiled / foreign bodies drawn in / worn	Remove the valves and clean then (-> refer to Section 2.2/2.3 of the Service Manual*) / replace worn parts
		Pressure control valve turned down completely	Turn the pressure control valve to the right until the stop is reached
	Air bubbles exit from the return hose	Unit is sucking in outside air	Check: Suction system tightened properly? Cleaning connection (if available) at rigid suction tube screwed tight and not leaking? Inlet valve button leaky? -> Replace wiper and O-ring (-> refer to Section 2.1 of the Service Manual*)
Unit does not generate pressure	Unit has sucked in air	Air in the oil circuit	Bleed the oil circuit in the unit by turning the pressure control valve completely to the left and let it run approx. 2 – 3 min. Then turn the pressure control valve to the right and set the spraying pressure (repeat process several times, if necessary).
	Unit reached pressure, but the pressure collapses during spraying.	Suction filter clogged	Check the suction filter. If necessary, clean/replace
		Paint cannot be worked in this state. Due to its properties the paint clogs the valves (inlet valve) and the delivery rate is too low.	Dilute the paint
	Unit reached pressure, but the pressure collapses during spraying.	Clogged filter do not let enough paint pass	Check/clean the (high-pressure filter) gun filter
		Tip clogged	Clean the tip (-> refer to Section 5.1)
Unit does not generate the max. pressure possible. Paint nevertheless exits at the return hose.	Relief valve defective	Please contact Titan Customer Service	

\* Refer to the Service Manual, form no 2470621, available for download at [www.titantool.com](http://www.titantool.com)

## WARRANTY

Titan Tool, Inc., (“Titan”) warrants that at the time of delivery to the original purchaser for use (“End User”), the equipment covered by this warranty is free from defects in material and workmanship. With the exception of any special, limited, or extended warranty published by Titan, Titan’s obligation under this warranty is limited to replacing or repairing without charge those parts which, to Titan’s reasonable satisfaction, are shown to be defective within twelve (12) months after sale to the End User. This warranty applies only when the unit is installed and operated in accordance with the recommendations and instructions of Titan.

This warranty does not apply in the case of damage or wear caused by abrasion, corrosion or misuse, negligence, accident, faulty installation, substitution of non-Titan component parts, or tampering with the unit in a manner to impair normal operation.

Defective parts are to be returned to an authorized Titan sales/service outlet. All transportation charges, including return to the factory, if necessary, are to be borne and prepaid by the End User. Repaired or replaced equipment will be returned to the End User transportation prepaid.

THERE IS NO OTHER EXPRESS WARRANTY. TITAN HEREBY DISCLAIMS ANY AND ALL IMPLIED WARRANTIES INCLUDING, BUT NOT LIMITED TO, THOSE OF MERCHANTABILITY AND FITNESS FOR A PARTICULAR PURPOSE, TO THE EXTENT PERMITTED BY LAW. THE DURATION OF ANY IMPLIED WARRANTIES WHICH CANNOT BE DISCLAIMED IS LIMITED TO THE TIME PERIOD SPECIFIED IN THE EXPRESS WARRANTY. IN NO CASE SHALL TITAN LIABILITY EXCEED THE AMOUNT OF THE PURCHASE PRICE. LIABILITY FOR CONSEQUENTIAL, INCIDENTAL OR SPECIAL DAMAGES UNDER ANY AND ALL WARRANTIES IS EXCLUDED TO THE EXTENT PERMITTED BY LAW.

TITAN MAKES NO WARRANTY AND DISCLAIMS ALL IMPLIED WARRANTIES OF MERCHANTABILITY AND FITNESS FOR A PARTICULAR PURPOSE WITH RESPECT TO ACCESSORIES, EQUIPMENT, MATERIALS OR COMPONENTS SOLD BUT NOT MANUFACTURED BY TITAN. THOSE ITEMS SOLD, BUT NOT MANUFACTURED BY TITAN (SUCH AS GAS ENGINES, SWITCHES, HOSES, ETC.) ARE SUBJECT TO THE WARRANTY, IF ANY, OF THEIR MANUFACTURER. TITAN WILL PROVIDE THE PURCHASER WITH REASONABLE ASSISTANCE IN MAKING ANY CLAIM FOR BREACH OF THESE WARRANTIES.

### UNITED STATES SALES & SERVICE

**WEB:** [www.titantool.com](http://www.titantool.com)

**PHONE:** 1-800-526-5362

1770 Fernbrook Lane

Minneapolis, MN 55447

### INTERNATIONAL

**WEB:** [www.titantool-international.com](http://www.titantool-international.com)

# Attention!

## Danger de blessure par injection de produit!

Les groupes "Airless" produisent des pressions de projection extrêmement élevées.



**1**

**Ne jamais exposer les doigts, les mains ou d'autres parties du corps au jet! Ne jamais diriger le pistolet vers soi, vers d'autres personnes ou vers des animaux.**

**Utiliser toujours le pistolet muni de sa protection.**

**Ne traitez pas une blessure par injection comme simple coupure. En cas de blessure de la peau par l'injection de peintures ou de solvants, consultez sans retard un médecin. Renseignez le médecin sur la nature de la peinture ou du solvant utilisés.**

**2**

**Avant toute mise en service, respecter les points suivants conformément aux instructions de service:**

1. Ne jamais utiliser un équipement défectueux.
2. Verrouiller le pistolet Titan par le levier de sécurité à la gâchette.
3. Assurer la mise à la terre correcte.
4. Vérifier et respecter les pressions admissibles pour le flexible et le pistolet.
5. Contrôler l'étanchéité de tous les raccords.

**3**

**Respecter sans faute les instructions relatives au nettoyage et à l'entretien réguliers du matériel.**

**Avant toute intervention sur le matériel et pendant chaque interruption de travail, observer les règles suivantes:**

1. Evacuer la pression du pistolet et du flexible.
2. Verrouiller le pistolet Titan par le levier de sécurité à la gâchette.
3. Arrêter le groupe.

# Ne négligez pas la sécurité!

<b>1</b>	<b>PRESCRIPTIONS DE SÉCURITÉ POUR LA PROJECTION AIRLESS</b>	<b>24</b>
1.1	Explication des symboles utilisés	24
1.2	Dangers pour la sécurité	24
1.3	Sécurité du bloc d'alimentation	26
1.4	Utilisation sur un terrain incliné	26
<b>2</b>	<b>GÉNÉRALITÉS D'UTILISATION</b>	<b>27</b>
2.1	Domaines d'utilisation	27
2.2	Produits de revêtement	27
<b>3</b>	<b>DESCRIPTION DU MATÉRIEL</b>	<b>28</b>
3.1	Le procédé Airless	28
3.2	Liste des manuels d'instructions	28
3.3	Fonctionnement du matériel	28
3.4	Illustration	29
3.5	Caractéristiques techniques	30
3.6	Transport	30
<b>4</b>	<b>FONCTIONNEMENT</b>	<b>31</b>
4.1	Flexible à haute pression et pistolet de projection	31
4.2	Mise en marche/arrêt du bloc d'alimentation (moteur)	32
4.3	Préparation d'un nouveau vaporisateur	32
4.4	Préparation avant de peindre	33
4.5	Procédure de décharge de pression	33
<b>5</b>	<b>PULVÉRISATION</b>	<b>34</b>
5.1	Nettoyage d'une buse obstruée	34
5.2	Interruptions de travail	35
5.3	Manipulation du flexible à haute pression	35
<b>6</b>	<b>NETTOYAGE</b>	<b>36</b>
6.1	Consignes spéciales de nettoyage lors de l'utilisation du pistolet avec des solvants inflammables	36
6.2	Nettoyage du pulvérisateur	36
6.3	Nettoyage extérieur du groupe	37
6.4	Filtre d'aspiration	37
6.5	Nettoyage du filtre haute pression	37
6.6	Nettoyage du pistolet Airless	38
<b>7</b>	<b>MAINTENANCE</b>	<b>38</b>
7.1	Maintenance générale	38
7.2	Tuyau flexible haute pression	38
7.3	Pièces d'usure typiques	39
7.4	Aide en cas de pannes	40
	<b>GARANTIE</b>	<b>41</b>
	<b>ACCESSOIRES</b>	<b>62</b>

# 1 PRESCRIPTIONS DE SÉCURITÉ POUR LA PROJECTION AIRLESS

## 1.1 EXPLICATION DES SYMBOLES UTILISÉS

Veuillez lire et être sûr de comprendre toutes les informations contenues dans ce manuel avant d'utiliser l'appareil. Lorsque vous pénétrez dans une zone qui contient les symboles suivants, soyez particulièrement vigilant et vérifiez que les systèmes de sécurité sont bien installés.



→ Ce symbole indique un risque potentiel pouvant entraîner des blessures graves ou même mortelles. Vous trouverez ci-après d'importantes consignes de sécurité.



Attention

→ Ce symbole indique un risque potentiel pour vous ou pour l'appareil. D'importantes informations sur la manière d'éviter tout dommage de l'équipement ou d'éviter des blessures légères sont indiquées ci-après.



→ Danger de blessure par injection de produit



→ Danger d'incendie



→ Risque d'explosion



→ Vapeurs toxiques et/ou inflammables. Danger d'intoxication et de brûlure



→ Les notes contiennent des informations qui doivent être consciencieusement respectées.



→ **AVERTISSEMENT! AVERTISSEMENT EN FONCTION DE LA PROPOSITION 65 DE LA CALIFORNIE**

Cet appareil peut vous exposer à des produits chimiques, y compris le plomb, reconnus par l'État de la Californie pour causer le cancer, des anomalies congénitales ou d'autres troubles de la reproduction.

Pour de plus amples renseignements, consultez le site Web [www.P65warnings.ca.gov](http://www.P65warnings.ca.gov).

## 1.2 DANGERS POUR LA SÉCURITÉ



### RISQUE : BLESSURE PAR PROJECTION

Un courant de liquide à haute pression produit par cet équipement peut percer la peau et les tissus sous-cutanés, et entraîner des blessures graves ou une amputation.

Ne traitez pas une blessure par injection comme simple coupure. En cas de blessure de la peau par l'injection de peintures ou de solvants, consultez sans retard un médecin. Renseignez le médecin sur la nature de la peinture ou du solvant utilisés.

### PRÉVENTION :

- NE dirigez JAMAIS le pistolet vers une partie du corps, quelle qu'elle soit.
- NE laissez JAMAIS une partie du corps entrer en contact avec le flux de liquide. NE laissez JAMAIS votre corps au contact d'une fuite dans le tuyau de liquide.
- NE placez JAMAIS vos mains devant le pistolet. Les gants ne constituent pas un rempart suffisant contre les blessures par projection.
- Bloquez TOUJOURS la gâchette du pistolet, éteignez la pompe et vidangez toute la pression avant toute opération d'entretien, avant de nettoyer une buse ou une protection, avant de changer une buse ou si vous laissez l'appareil sans surveillance. La pression ne s'évacue pas simplement en éteignant le moteur. La vanne prime/SPRaY ou la vanne de décharge de la pression doivent être placées dans les positions souhaitées pour vidanger la pression.
- Conservez TOUJOURS la protection de la buse en place lorsque vous pulvérisez. La protection de la buse fournit une certaine protection mais il s'agit principalement d'un système d'alarme.
- Enlevez TOUJOURS la buse de pulvérisation avant de rincer ou de nettoyer le système.
- N'utilisez JAMAIS un pistolet pulvérisateur sans blocage de gâchette et sans protection de gâchette.
- Tous les accessoires doivent pouvoir travailler à la pression de travail maximale du pulvérisateur ou au-dessus. Ceci concerne les buses de pulvérisation, les pistolets, les rallonges et le tuyau.





### RISQUE : FLEXIBLE À HAUTE PRESSION

Le tuyau de peinture peut présenter des fuites dues à l'usure, aux pincements et aux mauvaises utilisations. Toute fuite peut entraîner une projection de matériau dans la peau. Vérifiez soigneusement le tuyau avant chaque utilisation.

#### PRÉVENTION :

- Il faut éviter de trop plier le flexible; le plus petit rayon ne doit pas être inférieur à 20 cm.
- Protéger le flexible contre le passage de véhicules et éviter le frottement sur des arêtes vives.
- Remplacer immédiatement tout tuyau à haute pression endommagé.
- Ne jamais essayer de réparer un flexible endommagé!
- La charge électrostatique du pistolet et du flexible est évacuée par ce dernier. Pour cette raison, la résistance électrique entre les raccords du flexible doit être égale ou inférieure à 1 mégohm.
- Pour des raisons de fonctionnement, de sécurité et de durée utile utiliser exclusivement des flexibles à haute pression originaux de Titan.
- Avant chaque utilisation, vérifiez que les tuyaux ne présentent ni coupures, ni fuites, ni signes d'abrasion ou de renflement du revêtement. Vérifiez l'état et le mouvement des raccords. Remplacez immédiatement les tuyaux s'ils sont en mauvais état. Ne réparez jamais un tuyau de peinture. Remplacez-le par un tuyau à haute pression relié à la masse.
- Assurez vous que le tuyau à air et les tuyaux de pulvérisation sont disposés de façon à éviter les risques de glissade, de trébuchement ou de chute.



### RISQUE : EXPLOSION ET INCENDIE

Les vapeurs inflammables, telles que les vapeurs de solvant et de peinture, dans une zone de travail peuvent s'enflammer ou exploser.

#### PRÉVENTION :

- Servez-vous de l'équipement dans un endroit bien aéré. Faites circuler beaucoup d'air frais dans l'endroit afin d'éviter l'accumulation de vapeurs inflammables dans la zone de pulvérisation. Entrez l'ensemble de la pompe dans un endroit bien aéré. Ne pulvérisez pas l'ensemble de la pompe.
- Éliminez toutes les sources d'inflammation, comme les veilleuses, les cigarettes, les lampes électriques portatives et les toiles de protection en plastique (risque d'arc statique).
- Gardez la zone de travail exempte de débris, y compris des solvants, des chiffons et d'essence.
- Ne branchez ou ne débranchez pas les cordons d'alimentation, ne mettez pas l'appareil en marche, n'allumez ou n'éteignez pas les lumières lorsque des vapeurs inflammables sont présentes.
- Mettez à terre l'équipement et les objets conducteurs dans la zone de travail. Assurez-vous que le câble de mise à la terre (non inclus) relie la patte de mise à la terre à une prise de terre réelle.
- Utilisez uniquement des tuyaux mis à la terre.
- Tenez le pistolet de pulvérisation fermement contre le côté d'un seau mis à la terre lorsque vous pulvérisez dans le seau.
- S'il y a production d'étincelles statiques ou si vous ressentez un choc, arrêtez le fonctionnement immédiatement.
- Soyez au courant du contenu de la peinture et des solvants à pulvériser. Lisez toutes les fiches signalétiques (FS) et les étiquettes des récipients de peinture et de solvant. Suivez les consignes de sécurité du fabricant de peinture et du solvant.
- N'utilisez pas de peinture ou de solvant contenant des hydrocarbures hydrogénés, comme du chlore, de l'eau de Javel, un agent anti-moisissure, du chlorure de méthylène et du trichloroéthane. Ils ne sont pas compatibles avec l'aluminium. Communiquez avec le fournisseur de revêtement au sujet de la compatibilité du produit avec l'aluminium.
- Gardez un extincteur dans la zone de travail.



### RISQUE : VAPEURS DANGEREUSES

Les peintures, solvants, et autres matériaux peuvent être nocifs en cas d'inhalation ou de contact avec la peau. Les vapeurs peuvent entraîner de sérieuses nausées, des syncopes ou des empoisonnements.

#### PRÉVENTION :

- Pendant le travail de protection porter un masque respiratoire. Lisez attentivement toutes les instructions fournies avec le masque pour vous assurer qu'il fournit bien la protection nécessaire.
- Tous les règlements locaux en matière de protection contre les vapeurs toxiques doivent être respectés.
- Portez des protections oculaires.
- Pour protéger la peau il est nécessaire de porter des vêtements de protection, des gants et d'utiliser éventuellement une crème de protection de la peau. Observer les prescriptions des fabricants au sujet des produits de peinture, de nettoyage et des solvants pendant la préparation, la mise en oeuvre et le nettoyage du matériel.



### RISQUE : GÉNÉRALITÉS

peut entraîner des blessures sévères ou des dégâts matériels.

#### PRÉVENTION :

- Respectez toutes les réglementations locales et nationales concernant la ventilation, la prévention des incendies et le fonctionnement.
- Lorsque vous appuyez sur la détente, il se produit un mouvement de recul de la main qui tient le pistolet pulvérisateur. Le recul du pistolet pulvérisateur est particulièrement puissant lorsque la buse a été démontée et lorsque la pompe sans air a été réglée sur une pression élevée. Lors du nettoyage sans buse, réglez donc le bouton de contrôle de la pression sur la pression minimale.
- N'utilisez que des pièces de rechange d'origine. L'utilisateur assume tous les risques s'il utilise des pièces qui ne correspondent pas aux spécifications minimales et aux dispositifs de sécurité du fabricant de la pompe.
- Respectez TOUJOURS les consignes du fabricant du matériau pour manipuler la peinture et les solvants en toute sécurité.
- Nettoyez immédiatement les matériaux tombés et le solvant déversé accidentellement, afin d'éviter les risques de glissade.

- Munissez-vous d'une protection auditive.
- Ne laissez jamais cet outil sans surveillance. Tenez-le hors de portée des enfants ou des personnes non familiarisées avec le fonctionnement des équipements sans air.
- Ne vaporisez pas à l'extérieur en cas de vent.
- L'appareil et tous ses liquides (p. ex., huile hydraulique) doivent être détruits sans danger pour l'environnement.



N'UTILISEZ PAS cet appareil pour pulvériser de l'eau ou de l'acide.



Ne vous servez pas de la poignée du chariot pour soulever lors du chargement ou du déchargement.

L'appareil est très lourd. Trois personnes sont nécessaires pour les soulever.

### 1.3 SÉCURITÉ DU BLOC D'ALIMENTATION



Avant d'utiliser l'unité, familiarisez-vous avec toutes les mises en garde et directives comprises dans les manuels Honda fournis :

- 1) Bloc-batterie
- 2) Chargeur de batterie
- 3) Bloc d'alimentation

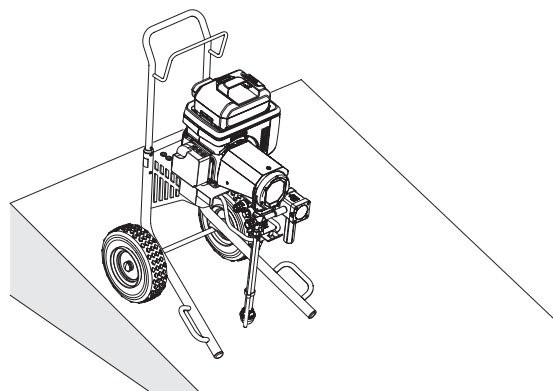
Ces manuels comprennent de l'information essentielle à l'opération de l'unité de façon appropriée et sécuritaire.

### 1.4 UTILISATION SUR UN TERRAIN INCLINÉ

La partie avant du groupe doit montrer vers le bas afin d'éviter un déplacement involontaire.

Sur les supports inclinés, l'appareil ne peut pas être utilisé, vu qu'il a tendance à migrer du fait des vibrations.

①



## 2 GÉNÉRALITÉS D'UTILISATION

### 2.1 DOMAINES D'UTILISATION

Le domaine principal d'utilisation est l'application de couches épaisses de produits visqueux sur grandes surfaces avec débit élevé.

Couches de fond et de finition de surfaces importantes, scellement, imprégnation, assainissement de bâtiments, protection et rénovation de façades, protection antirouille et de bâtiments, assainissement de béton, protection anticorrosion lourde.

#### EXEMPLES DE TRAVAUX

Génie civile, tours de refroidissement, ponts, stations d'épuration et toits plats.

### 2.2 PRODUITS DE REVÊTEMENT

#### PRODUITS DE REVÊTEMENT UTILISABLES

Laques et peintures diluables à l'eau et solvantées, produits de revêtement à deux composants, dispersions, peintures latex.

Mise en œuvre d'autre produits seulement avec l'accord de Titan.



Veiller à la qualité Airless des produits utilisés.

#### VISCOSITÉ

L'appareil permet de mettre en œuvre des produits de revêtement d'une viscosité jusqu'à 20.000 mPas. Si le débit de pulvérisation diminue fortement pour des produits de revêtement de haute viscosité, diluer conformément aux indications du fabricant.



Si le produit est remué avec un agitateur mécanique, éviter la formation de bulles d'air dans le produit qui pourraient entraîner des arrêts de fonctionnement.

#### PRODUITS DE REVÊTEMENT AVEC ADDITIFS À ARÊTES VIVES

Ces particules exercent une forte action abrasive sur les vannes et la buse, ainsi que sur le pistolet de pulvérisation. La durée de vie de ces pièces d'usure en est fortement réduite.

#### FILTRATION

Une filtration suffisante est nécessaire pour un fonctionnement sans perturbation. L'appareil est muni d'un filtre d'aspiration, d'un filtre d'insertion dans le pistolet de pulvérisation et d'un filtre à haute pression. Un contrôle régulier de ces filtres pour détérioration ou encrassement est instamment recommandé.

### 3 DESCRIPTION DU MATÉRIEL

#### 3.1 LE PROCÉDÉ AIRLESS

Le domaine principal d'utilisation est l'application de couches épaisses de produits visqueux sur grandes surfaces avec débit élevé.

La pompe à piston aspire le produit et le refoule sous pression vers la buse. En passant par l'orifice de la buse avec une pression de maximum 22,8 MPa (228 bar) le produit est éclaté en très fines particules.

Etant donné l'absence d'air dans ce système, il est connu sous le nom „AIRLESS“ (sans air).

Ce procédé de projection comporte les avantages tels que pulvérisation très fine, peu de brouillard, surfaces lisse sans bulles. A part de ces avantages, il y a lieu de mentionner la vitesse de travail et la maniabilité.

#### 3.2 LISTE DES MANUELS D'INSTRUCTIONS

Ce qui suit est une liste des manuels d'instructions disponibles pour cet appareil.

Les articles en ligne peuvent être téléchargés à [www.titantool.com](http://www.titantool.com)

DESCRIPTION	FORM. #	COMMENT TROUVER
<b>Mode d'emploi</b>		
EN/F/ES	2470620	• inclus avec l'unité • en ligne
<b>Manuel d'entretien, pièces de rechange</b>		
EN/F/ES	2470621	• en ligne
<b>Manuel d'utilisation/d'entretien, pistolet de pulvérisation RX-Pro</b>		
Toutes les langues	538801	• inclus avec l'unité • en ligne

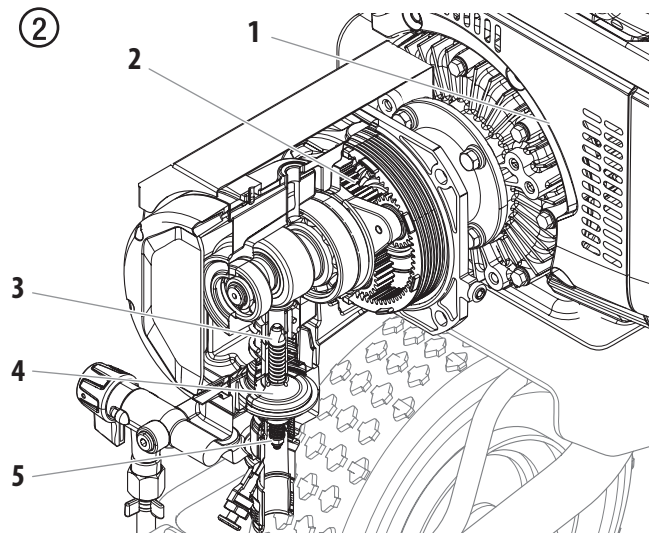
#### 3.3 FONCTIONNEMENT DU MATÉRIEL

Pour mieux comprendre le fonctionnement, voici une brève description de la conception technique:

Elite 3500 72V est un pulvérisateur de peinture à haute pression à moteur électrique.

Le moteur électrique (fig. 2, 1) actionne la pompe hydraulique au moyen de l'engrenage planétaire (2). Un piston (3) se déplace vers le haut et le bas afin que l'huile hydraulique soit déplacée sous le diaphragme (4) qui se déplace ensuite.

A la descente de la membrane, la soupape d'aspiration à disque (5) s'ouvre automatiquement et le produit de revêtement est aspiré.





Lors de la remontée de la membrane, le produit de revêtement est refoulé et le clapet de refoulement à bille s'ouvre alors que la vanne d'aspiration se ferme.

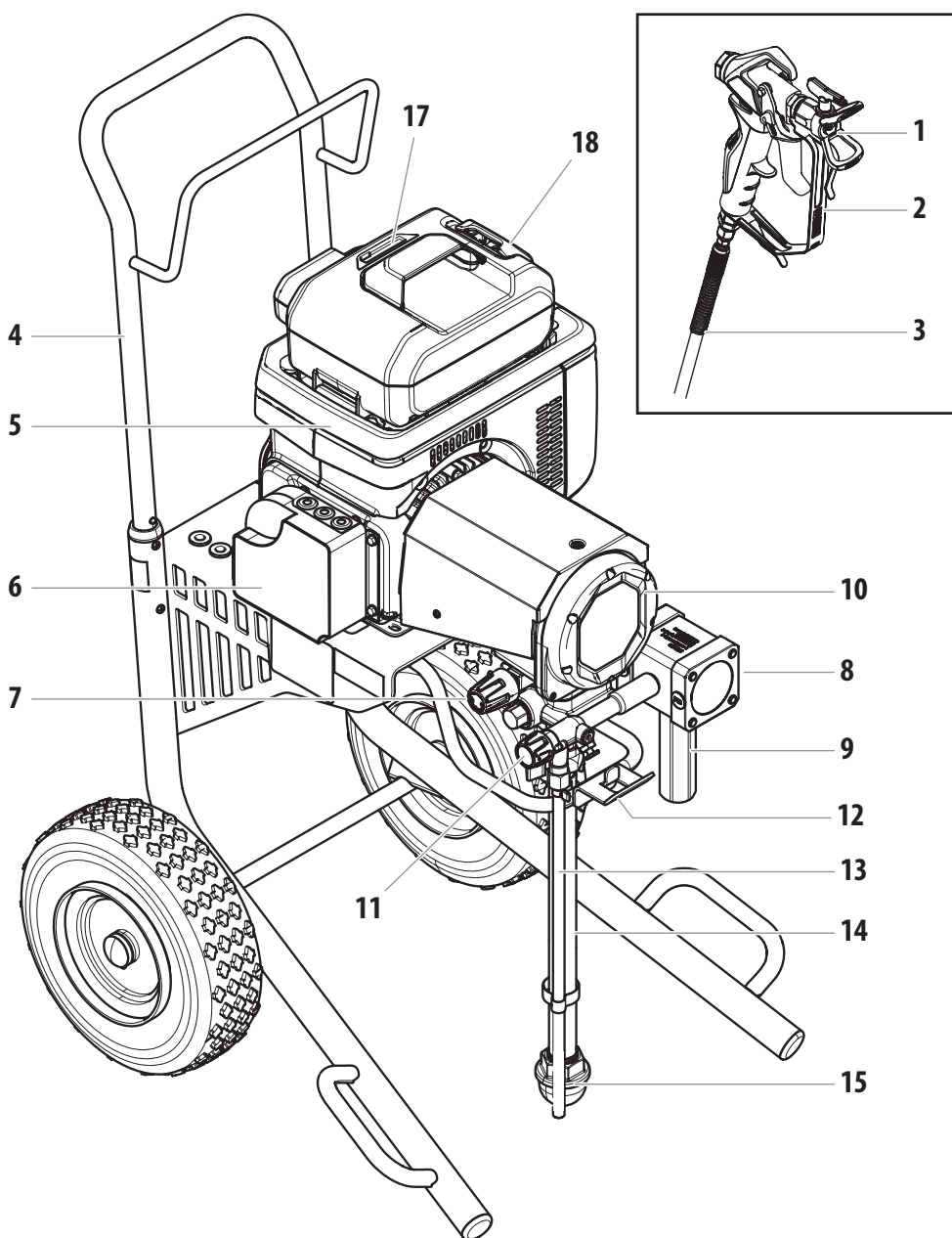
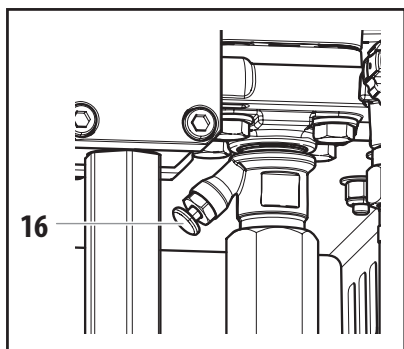
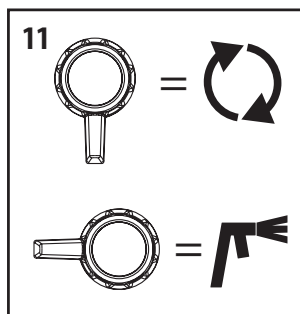
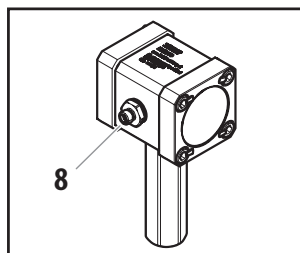
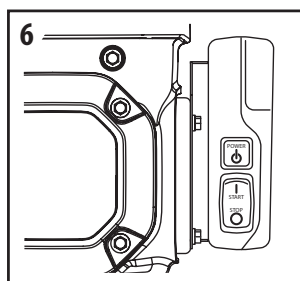
Le produit de revêtement s'écoule à haute pression à travers le tuyau flexible haute pression vers le pistolet de pulvérisation et est pulvérisé à la sortie de la buse.

La vanne de réglage de pression limite la pression réglée dans le circuit d'huile hydraulique et donc également la pression du produit de revêtement.

Une variation de pression lors de l'utilisation de la même buse entraîne également une modification de la quantité de peinture pulvérisée.

### 3.4 ILLUSTRATION

1. Protecteur de buse avec buse sans air
2. Pistolet de projection
3. Flexible haute pression
4. Chariot
5. Moteur électrique
6. Commandes moteur (voir section 4.2)
7. Bouton de réglage de pression
8. Raccord de tuyau à haute pression
9. Filtre à haute pression
10. Ensemble de pompe
11. Vanne de décharge  
PRIME =   
SPRAY = 
12. Crochet de seau
13. Tuyau de décharge
14. Tube du siphon
15. Crépine d'aspiration
16. Tige de poussée
17. Témoin de niveau de charge
18. Bloc-batterie



### 3.5 CARACTÉRISTIQUES TECHNIQUES

Elite 3500 72V	
<b>Moteur d'alimentation en courant continu (DC)</b>	Honda GXE 2.0H
<b>Batterie Li-ion rechargeable</b>	DC 72V, 720 Wh, 10Ah
<b>Pression de service max.</b>	22,8 MPa (228 bar)
<b>Débit max.</b>	2,8 l/min
<b>Débit sous 0,6 MPa (6 bars) avec de l'eau</b>	2,3 l/min
<b>Température max. adm. du produit de revêtement</b>	43 °C
<b>Raccord du tuyau de produit</b>	1/4"-18 NPSM
<b>Viscosité max.</b>	20.000 mPas
<b>Buse maxi</b>	0,027" – 0,68 mm
<b>Poids à vide</b>	
sans batterie	51 kg
avec batterie	58 kg
<b>Encombrement (L x P x H)</b>	75 cm x 63 cm x 112 cm
<b>Quantité de remplissage d'huile hydraulique</b>	
Corps du système hydraulique	1,15 litre
Engrenage	0,05 litre
<b>Vibration max. au pistolet de pulvérisation</b>	inférieure à 2,5 m/s <sup>2</sup>
<b>Niveau de pression acoustique max.</b>	74 dB (A)*

\* Lieu de mesure: à distance latérale de 1 m de l'appareil et 1,60 m au-dessus du sol, pression de service 12 MPa (120 bars), sol réverbérant.

### TEMPÉRATURE DE FONCTIONNEMENT

Cet équipement fonctionnera correctement à sa température ambiante visée, entre +10°C et +40°C au moins.

### HUMIDITÉ RELATIVE

Cet équipement fonctionnera correctement dans un milieu ayant une humidité relative de 50 %, à +40°C. Une humidité relative plus élevée peut être permise à des températures plus basses.

L'acheteur doit prendre des mesures afin d'éviter les effets destructeurs de la condensation accidentelle.

### TRANSPORT ET ENTREPOSAGE

Cet équipement résistera aux températures de transport et d'entreposage, ou il est protégé pour résister à ces températures entre -5°C jusqu'à +30°C, et pour des périodes courtes jusqu'à +70°C.

Son emballage prévient les dommages des effets de l'humidité, de la vibration et des coups normaux.

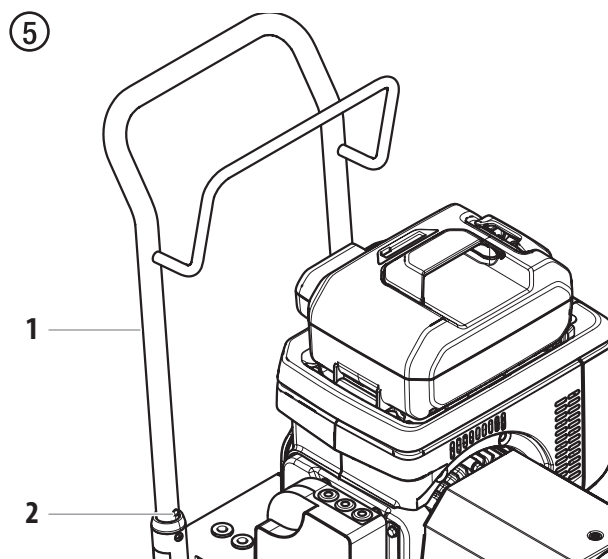
### 3.6 TRANSPORT

#### TRANSPORT PAR VÉHICULE



Assurer le matériel par des moyens de fixation appropriés

#### POUSSER OU TIRER LE MATÉRIEL

Sortir la poignée (fig. 5, pos. 1) en butée. Pour rentrer la poignée - enfoncer les boutons (2) sur les tubes du châssis, puis rentrer la poignée.

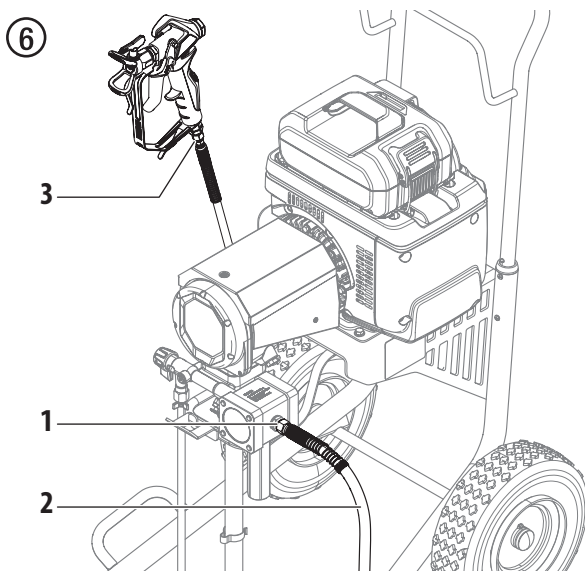


## 4 FONCTIONNEMENT

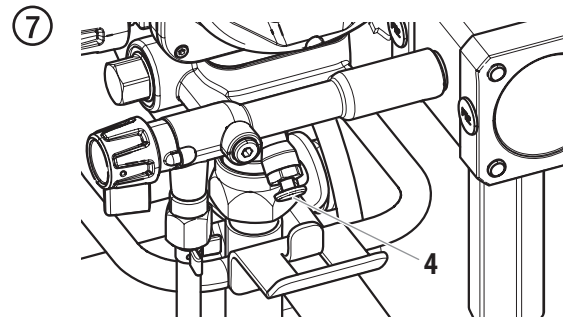
	<p>L'équipement produit un flot de fluides à extrêmement haute pression. Lisez et comprenez les avertissements de la section des Mesures de sécurité à l'avant du manuel avant d'utiliser l'équipement.</p>
	<p>Liste de vérification préconfiguration :</p> <ul style="list-style-type: none"> <li>• Assurez-vous que le bloc-batterie soit pleinement chargé</li> <li>• Assurez-vous que le bloc-batterie soit installé de façon appropriée dans le bloc d'alimentation.</li> <li>• Familiarisez-vous avec les commandes et les fonctionnalités du bloc d'alimentation.</li> <li>• Reportez-vous aux modes d'emploi Honda (bloc-batterie, chargeur de batterie, et bloc d'alimentation) pour toute l'information en matière de sécurité et toutes les directives d'utilisation du bloc d'alimentation.</li> </ul>

### 4.1 FLEXIBLE À HAUTE PRESSION ET PISTOLET DE PROJECTION

1. Visser le flexible haute pression (2) sur la sortie de produit (fig. 6, pos. 1).
2. Visser le pistolet (3) avec sa buse sur le flexible.
3. Bien serrer les écrous de fixation du flexible pour éviter des fuites de produit.



4. Enfoncer complètement la tige de poussée (fig. 7, pos. 4) afin de dégager la bille d'entrée.



5. Vérifiez que l'appareil est bien relié à la terre. Tous les modèles sont équipés d'un œillet de mise à la terre. Un câble de mise à la terre (non fourni) doit être utilisé pour relier l'appareil à la terre. Vérifiez les réglementations locales sur l'électricité pour obtenir des consignes détaillées de mise à la terre.



Il est important de correctement relier l'appareil à la terre. Le passage de certains matériaux dans le tuyau en nylon produit une charge électrique statique qui peut enflammer les vapeurs de solvant lorsqu'elle est déchargée et peut créer une explosion.

6. Filtrez toutes les peintures avec un filtre en nylon pour un fonctionnement sans problème et pour éviter d'avoir à nettoyer fréquemment le filtre interne et le filtre du pistolet.
7. Vérifiez que la zone de vaporisation est bien ventilée pour empêcher tout fonctionnement dangereux avec des solvants volatiles.



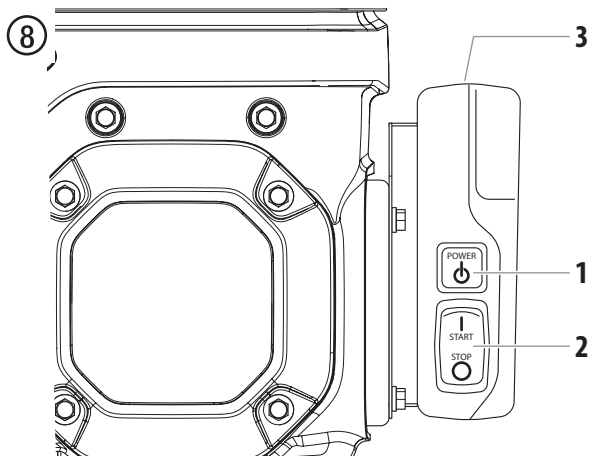
Si vous devez pulvériser du vernis-laque ou d'autres produits inflammables, placez TOUJOURS le pulvérisateur à l'extérieur de l'aire de pulvérisation, sinon, cela pourrait causer une explosion.

8. Placez le pulvérisateur à l'extérieur de l'aire de pulvérisation afin d'éviter l'obstruction de la prise d'air du moteur ou la surpulvérisation.

## 4.2 MISE EN MARCHÉ/ARRÊT DU BLOC D'ALIMENTATION (MOTEUR)

<b>i</b>	<p>Suivez ces étapes lorsqu'indiqué pour démarrer le moteur.</p> <p>Reportez-vous aux modes d'emploi Honda (bloc-batterie, chargeur de batterie, et bloc d'alimentation) pour toute l'information en matière de sécurité et toutes les directives d'utilisation du bloc d'alimentation.</p>
----------	---

1. Assurez-vous que la batterie soit chargée et installée de façon appropriée.
2. Appuyez sur le bouton « POWER » (Fig. 8, item 1) pour mettre sous tension. Le témoin d'alimentation vert (3) s'allumera après quelques secondes.
3. Appuyez sur « START » (2) pour démarrer le moteur.



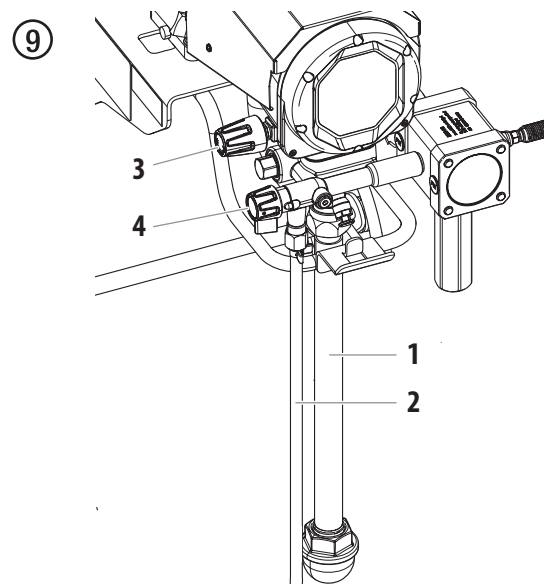
4. Pour éteindre le moteur, actionnez l'interrupteur « STOP ». Cela coupera aussi l'alimentation du système.

	<p><b>DANGER D'INJECTION.</b> Couper l'alimentation de l'unité ne dégage pas automatiquement la pression du système. Suivez la procédure de soulagement de pression (Section 4.5).</p>
--	--

## 4.3 PRÉPARATION D'UN NOUVEAU VAPORISATEUR

<b>i</b>	<p>S'il s'agit d'un nouvel appareil, il est livré avec du liquide de test dans la section des liquides pour éviter la corrosion durant le transport et le stockage. Ce fluide doit être soigneusement vidangé du circuit à l'aide d'essences minérales avant de commencer à vaporiser.</p>
	<p><b>Attention</b></p> <p>Verrouillez toujours la gâchette sur le pistolet vaporisateur pendant la préparation du circuit. Consultez les consignes du verrou de détente du mode d'emploi du pistolet de pulvérisation.</p>
<b>i</b>	<p>Assurez-vous qu'aucun embout ou protecteur d'embout n'est installé sur le pistolet vaporisateur.</p>

1. Plonger le tuyau d'aspiration (fig. 9. pos. 1) et le tuyau de retour (2) dans un récipient contenant un produit de nettoyage approprié.
2. Tourner le bouton de réglage de pression (3) à la pression minimale.
3. Ouvrir la vanne de décharge (4) à la position PRIME (↻ circulation).



4. Démarrez le moteur (consultez la section 4.2).
5. Attendre que le produit de nettoyage revienne au tuyau de retour.
6. Fermer la vanne de décharge, position SPRAY (↖ projection).
7. Déverrouillez le pistolet de pulvérisation (consultez le manuel du pistolet de pulvérisation). Tirer la gâchette du pistolet.
8. Projeter le produit de nettoyage en circulation dans un réservoir ouvert.



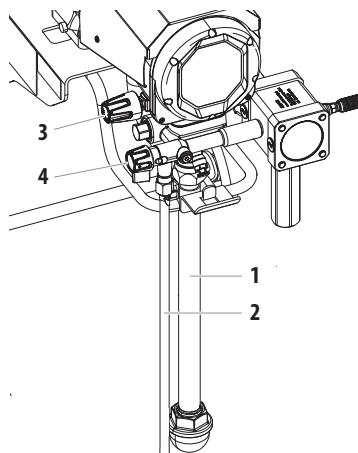
### 4.3 PRÉPARATION AVANT DE PEINDRE



Assurez-vous qu'aucun embout ou protecteur d'embout n'est installé sur le pistolet vaporisateur.

1. Plonger le tuyau d'aspiration (fig. 9. pos. 1) et le tuyau de retour (2) dans un récipient contenant un produit de nettoyage approprié.
2. Tourner le bouton de réglage de pression (3) à la pression minimale.
3. Ouvrir la vanne de décharge (4) à la position PRIME (↻ circulation).

9

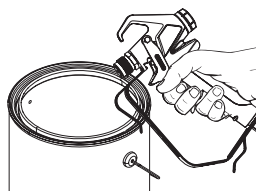


4. Démarrez le moteur (consultez la section 4.2).
5. Fermer la vanne de décharge, position SPRAY (↖ projection).
6. Tirer la gâchette du pistolet.
7. Tirer la gâchette à plusieurs reprises et projeter dans un récipient collecteur, jusqu'à ce que le produit sorte du pistolet sans interruption.



Reliez le pistolet à la terre en le maintenant contre le bord du conteneur en métal lors du rinçage. Si cette précaution n'est pas respectée, il peut se former une décharge électrique statique pouvant à son tour provoquer un incendie.

10



8. Verrouillez le pistolet en tournant le verrou de la détente du pistolet à la position verrouillée (consultez le manuel du pistolet de pulvérisation).

9. Fixez la protection d'embout au pistolet comme indiqué sur la protection d'embout ou sur les manuels d'embouts.



**RISQUE ÉVENTUEL D'INJECTION.** Ne vaporisez pas si la protection d'embout n'est pas montée. Ne déclenchez jamais le pistolet si l'embout n'est pas en position de vaporisation ou débouché. Engagez toujours le verrouillage de la gâchette du pistolet avant de démonter, de remplacer ou de nettoyer l'embout.

10. Augmenter la pression en tournant progressivement le bouton de réglage.

Contrôler le résultat et, le cas échéant, augmenter la pression pour optimiser la pulvérisation. Régler toujours la pression de façon à obtenir une bonne pulvérisation avec le bouton à la position la plus basse possible.

11. Le matériel est prêt à travailler.



Si vous augmentez la pression au-delà de la pression nécessaire pour atomiser la peinture, vous pouvez provoquer une usure prématurée des embouts et une vaporisation excessive.

### 4.5 PROCÉDURE DE DÉCHARGE DE PRESSION



Assurez-vous de bien suivre la procédure de décharge de pression lorsque vous arrêtez l'appareil pour une raison quelconque, y compris lors de l'entretien ou du réglage d'une pièce du circuit de vaporisation, du remplacement ou du nettoyage des embouts de vaporisation ou lors de la préparation au nettoyage.

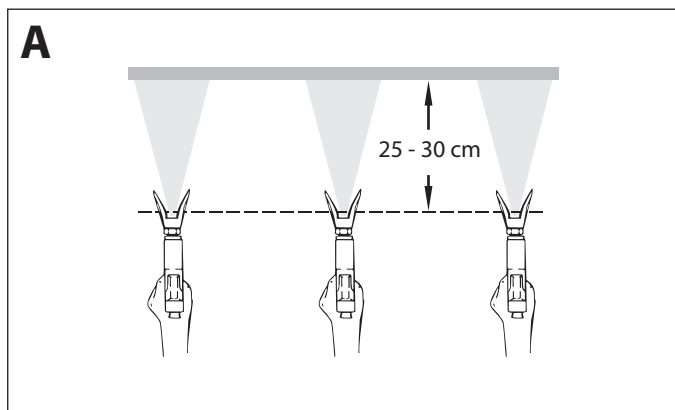
1. Bloquez le pistolet en faisant passer la gâchette du pistolet vers la position de blocage.
2. Réglez la pression au minimum en tournant au maximum le bouton de réglage de pression dans le sens inverse des aiguilles d'une montre,
3. Ouvrir la vanne de décharge à la position PRIME (↻ circulation).
4. Placez l'interrupteur START/STOP dans la position STOP.
5. Débloquez le pistolet en faisant passer la gâchette du pistolet vers la position de déblocage.
6. Maintenez fermement la partie métallique du pistolet contre un conteneur de déchets en métal pour décharger l'électricité statique du pistolet.
7. Enclenchez le pistolet pour éliminer toute pression résiduelle dans le tuyau.
8. Bloquez le pistolet en faisant passer la gâchette du pistolet vers la position de blocage.

## 5 PULVÉRISATION



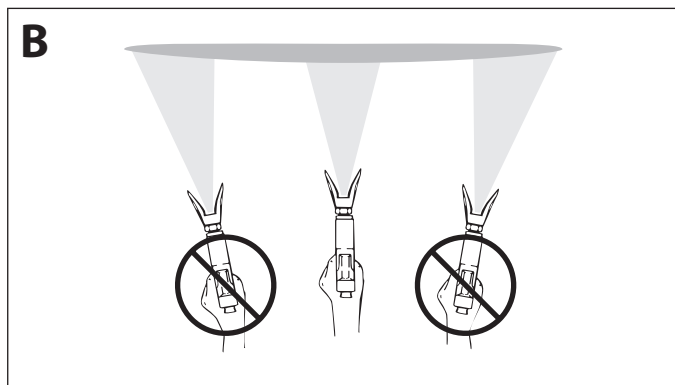
Risque d'injection. Ne pulvérisez pas sans avoir installé au préalable le protège-embout. N'appuyez JAMAIS sur la gâchette du pistolet si l'embout n'est pas sur la position de pulvérisation ou de débouchage. Bloquez toujours la gâchette du pistolet avant d'enlever, de remplacer ou de nettoyer l'embout.

- A)** Le secret pour réaliser un bon travail de peinture est d'appliquer une couche homogène sur toute la surface. Déplacez votre bras à une vitesse constante et maintenez le pistolet de pulvérisation à une distance régulière de la surface. La meilleure distance de pulvérisation entre l'embout et la surface est de 25-30 cm.

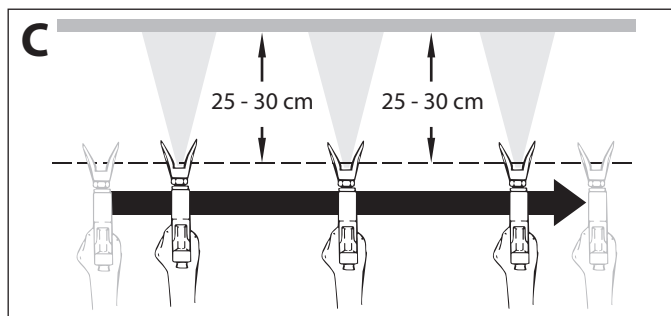


- B)** Maintenez le pistolet de pulvérisation à angle droit par rapport à la surface. Pour ce faire, vous devez faire des allers-retours avec tout le bras au lieu de simplement plier le poignet.

Maintenez le pistolet de pulvérisation perpendiculaire à la surface pour que la couche ne soit pas plus épaisse d'un côté que de l'autre.



- C)** Actionnez le pistolet après avoir commencé le passage. Relâchez la gâchette avant la fin du passage. Le pistolet pulvérisateur doit être en mouvement au moment d'appuyer sur la gâchette ou de la relâcher. Faites chevaucher les passages sur environ 30 %, pour garantir une couche uniforme.



Si les bords de projection sont trop nets ou s'il y a des bandes dans le jet, il faut soit augmenter la pression de projection soit diluer davantage le produit.

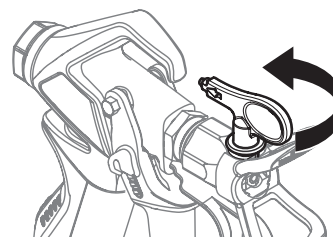
### 5.1 NETTOYAGE D'UNE BUSE OBSTRUÉE



Si la répartition de la pulvérisation devient déformée ou s'arrête complètement en appuyant sur la détente, suivre les étapes ci-dessous.

- Ouvrir la vanne de décharge à la position PRIME (↻ circulation).
- Si la buse est obstruée, faites tourner la poignée de la buse à 180° jusqu'à ce que la flèche figurant sur la poignée indique l'opposé de la direction de pulvérisation et que la poignée s'enclenche en position inversée (fig. 11).
- Fermer la vanne de décharge, position SPRAY (↖ projection).

⑪



- Appuyez une fois sur la détente du pistolet pour que la pression débouche la buse. N'appuyez JAMAIS deux fois de suite sur la détente lorsque la buse est dans la position inversée. Cette procédure peut être répétée jusqu'à ce que la buse ne soit plus obstruée.



Le flux sortant de la buse de pulvérisation est à très forte pression. Tout contact avec une quelconque partie du corps peut s'avérer dangereux. Ne mettez pas de doigt sur l'embout du pistolet. Ne visez personne avec le pistolet. N'utilisez jamais le pistolet pulvérisateur sans disposer du protège-embout approprié.

## 5.2 INTERRUPTIONS DE TRAVAIL



Suivez ces étapes si vous arrêtez de pulvériser pendant jusqu'à 20 heures.

1. Suivez la « Procédure de décharge de pression » décrite au paragraphe Fonctionnement de ce manuel (section 4.5).
2. Placez le pistolet de pulvérisation dans un sac en plastique, ou déposez-le dans un seau d'eau.
3. Laissez le tube d'aspiration et le tuyau de retour immergés dans le matériau de revêtement ou immergez-les dans un agent de nettoyage correspondant.
4. Recouvrez le matériau de revêtement de plastique et placez l'appareil dans un endroit frais et ombragé pour empêcher le matériau de s'assécher.



Lors de la mise en œuvre de peintures à séchage rapide ou d'un produit à deux composants, rincer sans faute le groupe à l'intérieur du temps d'utilisation avec le produit de nettoyage adéquat.



Lorsque vous êtes à nouveau prêt à pulvériser, enlevez le plastique du récipient de matériau et redémarrez le pulvérisateur en suivant les étapes décrites à la section 4.4.

## 5.3 MANIPULATION DU FLEXIBLE À HAUTE PRESSION



L'appareil est muni d'un tuyau à haute pression conçu spécialement pour les pompes sans air.



Ne jamais utiliser un flexible défectueux. Danger de blessure!

Ne jamais essayer de réparer un flexible endommagé!

Le tuyau flexible haute pression doit être traité avec soin. Il faut éviter de trop plier le flexible; le plus petit rayon ne doit pas être inférieur à 20 cm.

Protéger le flexible contre le passage de véhicules et éviter le frottement sur des arêtes vives.

Ne jamais tirer sur le flexible à haute pression pour déplacer l'appareil.

Faire attention à ne pas tordre le flexible à haute pression. Cela peut être évité en utilisant un pistolet pulvérisateur de Titan avec une articulation pivotante et un dévidoir de tuyau.



Pour la manipulation du tuyau flexible haute pression lors de travaux sur un échafaudage, il s'est avéré comme le plus avantageux de toujours laisser le tuyau flexible du côté extérieur de l'échafaudage.





Le risque d'endommagements s'accroît dans le cas des vieux flexibles à haute pression. Titan recommande de remplacer le flexible à haute pression au bout de 6 ans.



Pour des raisons de fonctionnement, de sécurité et de durée de vie, utiliser exclusivement des tuyaux flexibles à haute pression d'origine de Titan.

## 6 NETTOYAGE


 <b>Attention</b>	<p>Le pulvérisateur, le tuyau et le pistolet doivent être soigneusement nettoyés tous les jours après utilisation. Le non-respect de ces consignes peut mener à une agglutination du matériau et donc considérablement endommager la performance de l'appareil.</p>
	<p>Lorsque vous utilisez des essences minérales ou tout autre solvant pour nettoyer le vaporisateur, le tuyau ou le pistolet, vaporisez toujours à la pression minimale avec l'embout du pistolet démonté. L'accumulation d'électricité statique peut entraîner un incendie ou une explosion en présence de vapeurs inflammables.</p>

### 6.1 CONSIGNES SPÉCIALES DE NETTOYAGE LORS DE L'UTILISATION DU PISTOLET AVEC DES SOLVANTS INFLAMMABLES

- Rincez toujours le pistolet pulvérisateur de préférence à l'extérieur et au moins à une longueur de tuyau de la pompe de pulvérisation.
- Si vous recueillez les solvants vidangés dans un conteneur en métal d'un gallon (environ 3,780 litres), placez celui-ci dans un conteneur vide de 5 gallons (environ 19 litres), puis vidangez les solvants.
- La zone doit être totalement débarrassée de vapeurs inflammables.
- Respectez toutes les consignes de nettoyage.


### 6.2 NETTOYAGE DU PULVÉRISATEUR

1. Suivez la « Procédure de décharge de pression » décrite au paragraphe Fonctionnement de ce manuel (section 4.5).
2. Démontez l'embout du pistolet et la protection d'embout puis procédez au nettoyage en utilisant une brosse et un solvant approprié.
3. Placez le tuyau du siphon dans un conteneur du solvant approprié.


 <b>Attention</b>	<p>Utilisez des solvants compatibles lors du nettoyage de peintures laquées, de laques, de peinture à base de brai et d'époxy. Vérifiez auprès du fabricant du liquide le solvant recommandé pour ce liquide.</p>
---	---

4. Placez le tuyau de décharge dans un conteneur de déchets en métal.
5. Réglez la pression au minimum en tournant au maximum le bouton de réglage de pression dans le sens inverse des aiguilles d'une montre.


6. Ouvrir la vanne de décharge, position PRIME (↻ circulation).
7. Démarrez le moteur (consultez la section 4.2).
8. Laissez le solvant circuler dans l'appareil et vidangez la peinture par le tuyau de purge dans le conteneur de déchets en métal.
9. Fermer la vanne de décharge, position SPRAY (↖ projection).

	<p>Reliez le pistolet à la terre en le maintenant contre le bord du conteneur en métal lors du rinçage. Si cette précaution n'est pas respectée, il peut se former une décharge électrique statique pouvant à son tour provoquer un incendie.</p>
---	---

10. Déclenchez le pistolet dans le conteneur de déchets en métal jusqu'à ce que la peinture soit vidangée et que du solvant sorte du pistolet.
11. Continuez à déclencher le pistolet dans le conteneur de déchets en métal jusqu'à ce que le solvant sortant du pistolet soit propre.

	<p>Pour le stockage à long terme par temps froid ou lorsqu'il s'agit d'exposition à des températures de congélation, pomper des essences minérales dans tout le système.</p> <p>Pour un stockage à court terme lorsqu'il n'y a pas d'exposition à des températures de congélation lors de l'utilisation de peinture au latex, pomper de l'eau mélangée avec Titan Liquid Shield dans tout le système (voir la section Accessoires de ce manuel pour le numéro de pièce et l'étiquette du produit pour les instructions de dilution).</p>
---	--

12. Suivez la « Procédure de décharge de pression » décrite au paragraphe Fonctionnement de ce manuel.
13. Conservez l'outil dans un endroit sec et propre.

 <b>Attention</b>	<p>Ne stockez pas l'appareil sous pression.</p>
---	---

### 6.3 NETTOYAGE EXTÉRIEUR DU GROUPE



Ne jamais utiliser un jet ou de la vapeur sous pression pour le nettoyage.  
Ne pas placer le flexible à haute pression dans du solvant. Essuyer l'extérieur uniquement avec un chiffon imprégné.

Nettoyer l'extérieur du groupe à l'aide d'un chiffon imbibé du produit de nettoyage adéquat.

### 6.4 FILTRE D'ASPIRATION

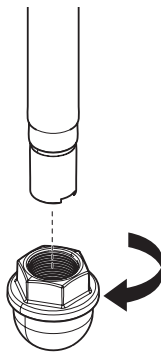


Des filtres propres assurent toujours un débit maximum, une pression de projection constante ainsi qu'un fonctionnement correct du matériel.

1. Dévisser la crépine (fig. 12) du tube d'aspiration.
2. Nettoyer ou remplacer la crépine.

Effectuer le nettoyage à l'aide d'un pinceau dur et d'un produit de nettoyage correspondant.

12



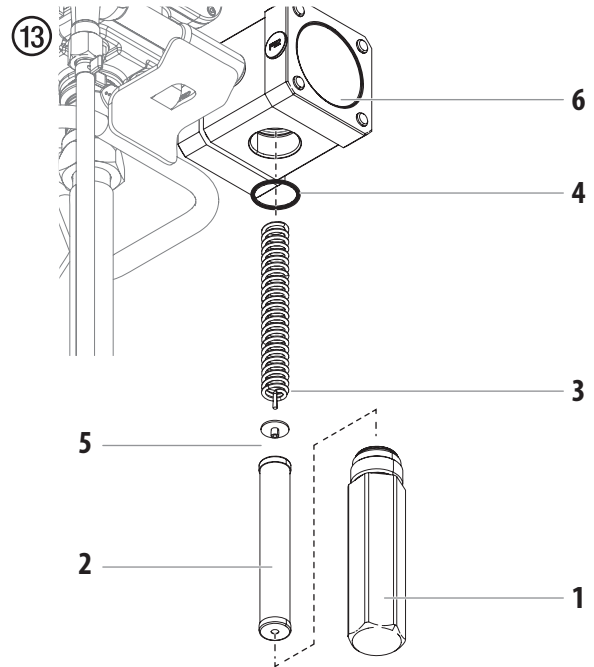
### 6.5 NETTOYAGE DU FILTRE HAUTE PRESSION



Nettoyer régulièrement la cartouche du filtre.  
Un filtre haute pression encrassé ou bouché compromet le résultat de projection ou occasionne le bouchage de la buse.

1. Suivez la « Procédure de décharge de pression » décrite au paragraphe Fonctionnement de ce manuel (section 4.5).
2. Dévisser le corps de filtre (fig. 13, pos. 1) à l'aide d'une clé à bande.
3. Retirer la cartouche (2) du ressort (3).

4. Nettoyer toutes les pièces avec un produit approprié. Le cas échéant, remplacer la cartouche.
5. Contrôler le joint torique, si nécessaire, le remplacer.
6. Appliquer la rondelle d'appui (5) contre le ressort (3). Glisser la cartouche (2) sur le ressort.
7. Visser le corps de filtre (1) et serrer à fond avec la clé à bande.



L'amortisseur de pulsations (6) est assorti d'une garantie à vie.

L'amortisseur de pulsations contient de l'azote gazeux et ne devrait jamais être ouvert. La modification de l'amortisseur de pulsations (c.-à-d. enlever les quatre boulons sur la face de l'amortisseur) annulera la garantie à vie.

Contactez le service technique Titan au 1-800-526-5362 si vous croyez que l'amortisseur de pulsations doit être réparé.

## 6.6 NETTOYAGE DU PISTOLET AIRLESS

1. Rincer le pistolet Airless à faible pression de service avec le produit de nettoyage adéquat.
2. Nettoyer soigneusement la buse avec le produit adéquat de manière à éliminer les restes de produit.
3. Nettoyer soigneusement l'extérieur du pistolet.

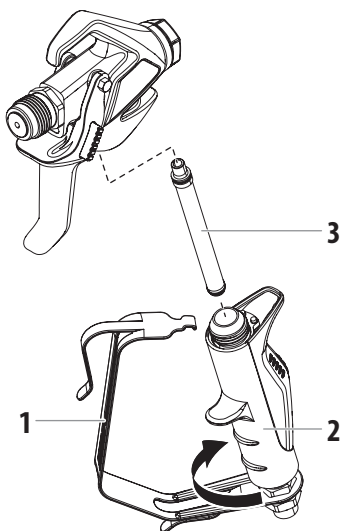


Nettoyez le pistolet de pulvérisation après chaque utilisation.

### TAMIS DE CROSSE DANS LE PISTOLET AIRLESS (FIG. 14)

1. Détachez le dessus du pontet (1) de la tête du pistolet.
2. En se servant de la partie inférieure du pontet comme clé, desserrez et enlevez l'ensemble de la poignée (2) de la tête du pistolet.
3. Extrayez le filtre (3) usagé de la tête du pistolet. Nettoyez ou remplacez.
4. Faites glisser le nouveau filtre, la partie filetée en premier, dans la tête du pistolet.
5. Placez le joint de la poignée dans la tête du pistolet avec la partie plate du joint vers la tête du pistolet. Serrez à l'aide de la clé de la détente.
6. Enclenchez à nouveau le pontet sur la tête du pistolet.

14



## 7 MAINTENANCE

### 7.1 MAINTENANCE GÉNÉRALE



Pour des raisons de sécurité, une inspection annuelle est fortement recommandée, qui doit être réalisée par des spécialistes. À ce sujet, vous devez également tenir compte des réglementations nationales.

#### CONTRÔLES MINIMAUX AVANT TOUTE MISE EN SERVICE :

1. Vérifiez le tuyau à haute pression et les raccords des pistolets de pulvérisation.

#### CONTRÔLES À INTERVALLES RÉGULIERS :

1. Contrôler l'usure de la vanne d'aspiration, du clapet de refoulement et les nettoyer et remplacer les pièces d'usure.
2. Nettoyer et le cas échéant remplacer les éléments filtrants (pistolet de pulvérisation, système d'aspiration (et le filtre de la pompe)).

### 7.2 TUYAU FLEXIBLE HAUTE PRESSION

Contrôler visuellement le tuyau flexible haute pression pour entailles ou bosses éventuellement présentes, en particulier à la transition dans le raccord. Les écrous-raccords doivent pouvoir tourner librement. Une conductibilité inférieure à 1 mégohm doit être présente sur toute la longueur.



Attention

Faire effectuer tous les contrôles électriques par le service après-vente de Titan.



Le risque d'endommagements s'accroît dans le cas des vieux flexibles à haute pression. Titan recommande de remplacer le flexible à haute pression au bout de 6 ans.

---

### 7.3 PIÈCES D'USURE TYPIQUES

Malgré l'utilisation de matériaux de qualité supérieure, on doit s'attendre à l'usure des éléments suivants du fait de l'action fortement abrasive des peintures:

**VANNE D'ASPIRATION** (pièce de rechange réf.: 2393043)

Remplacement, voir point 2.2 (Manuel d'entretien)

(La panne se remarque par une perte de puissance et/ou une mauvaise aspiration, voire pas d'aspiration du tout - un nettoyage approfondi peut également déjà apporter une amélioration.)

**CLAPET DE REFOULEMENT** (pièce de rechange réf.: 2369445)

Remplacement, voir point 2.3 (Manuel d'entretien)

## 7.4 AIDE EN CAS DE PANNES

Type de la panne	Quoi encore?	Cause possible	Mesures de dépannage
L'appareil ne démarre pas		Le bloc-batterie est déchargé	Chargez la batterie
		Le bloc-batterie n'est pas installé de façon appropriée	Installez le bloc-batterie de façon appropriée sur le bloc d'alimentation
L'appareil n'aspire.	Il ne sort pas de bulles d'air du tuyau de retour.	La valve d'admission est collée.	Appuyez plusieurs fois à la main jusqu'à la butée sur le poussoir de la vanne d'aspiration.
		Vanne d'aspiration/ clapet de refoulement encrassés/  Corps étranger aspiré/ usure.	Démontez les vannes et nettoyez-les (-> voir point 2.2/2.3 du manuel d'entretien*). / Remplacez les pièces usées.
		Vanne de régulation de pression entièrement tournée en arrière.	Tournez la vanne de régulation de pression à fond vers la droite.
	Des bulles d'air sortent du tuyau de retour.	L'appareil aspire de l'air parasite.	Contrôlez: le système d'aspiration est-il convenablement serré? La tubulure de nettoyage est-elle solidement vissée sur le tuyau d'aspiration rigide?  Le poussoir de la vanne d'aspiration fuit-il? -> Remplacer le racleur et le joint torique. (-> voir point 2.1 du manuel d'entretien*)
L'appareil ne génère pas de pression.	L'appareil a aspiré.	Air dans le circuit d'huile.	Purgez le circuit d'huile de l'appareil; à cet effet, tournez la vanne de régulation de pression entièrement vers la gauche (jusqu'à l'excès) et laissez tourner pendant env. 2-3 min, puis tournez la vanne de régulation de pression entièrement vers la droite et réglez la pression de pulvérisation (répétez éventuellement plusieurs fois l'opération).
	L'appareil est arrivé en pression, mais la pression chute lors de la pulvérisation.	Filtre d'aspiration bouché.	Contrôlez le filtre d'aspiration/éventuellement nettoyer/remplacer.
		La peinture ne peut pas être mise en œuvre dans cet état, la peinture colle les vannes (vanne d'aspiration) par ses caractéristiques et le débit est trop faible.	Diluer la peinture.
	L'appareil est arrivé en pression, mais le jet de pulvérisation s'arrête lors de la pulvérisation		Des filtres bouchés laissent passer trop peu de peinture.
Buse bouchée.			Nettoyer la buse.
L'appareil ne génère pas la pression max. possible, de la peinture sort du tuyau de retour malgré la position de pulvérisation.		Vanne de décharge défectueuse.	Veillez vous adresser au service après-vente Titan

\* Reportez-vous au manuel d'entretien (numéro de pièce 2470621, disponible en ligne) pour obtenir des instructions complètes concernant les procédures de cette section.



## GARANTIE

Titan Tool, Inc. ("Titan") garantit qu'au moment de la livraison à l'acheteur initial ("Utilisateur"), l'appareil couvert par la présente garantie sera exempt de défauts de matériaux et de fabrication. Exception faite de toute garantie particulière ou limitée et de toute extension de garantie publiées par Titan, la responsabilité de celui-ci se limite, en vertu de la présente garantie, au remplacement ou à la réparation sans frais des pièces dont le caractère défectueux aura été démontré de manière satisfaisante pour Titan, dans un délai de douze (12) mois après la date d'achat par l'Utilisateur. Cette garantie ne sera applicable que si l'appareil a été installé et utilisé conformément aux recommandations et directives de Titan.

Cette garantie ne sera pas applicable dans les cas d'endommagement ou d'usure dus à l'abrasion, la corrosion, un mauvais usage, la négligence, un accident, une installation incorrecte, un remplacement par des composants non fournis par Titan ou toute autre intervention non autorisée de nature à nuire au fonctionnement normal de l'appareil.

Les pièces défectueuses devront être envoyées à un centre de service / vente Titan autorisé. Les frais de transport couvrant y compris le retour à l'usine, seront, le cas échéant, prépayés par l'Utilisateur. Après réparation ou remplacement, les pièces seront renvoyées à ce dernier par transport prépayé.

AUCUNE AUTRE GARANTIE EXPRESSE N'EST ACCORDÉE. TITAN REJETTE TOUTE AUTRE GARANTIE IMPLICITE Y COMPRIS, NOTAMMENT, LES GARANTIES DE QUALITÉ MARCHANDE ET DE COMPATIBILITÉ AVEC UN USAGE PARTICULIER, DANS LES LIMITES PERMISES PAR LA LOI.

LA DURÉE DES GARANTIES IMPLICITES NE POUVANT FAIRE L'OBJET D'UNE RENONCIATION SE LIMITE À LA PÉRIODE INDIQUÉE DANS LA GARANTIE EXPRESSE.

LA RESPONSABILITÉ DE TITAN NE SAURAIT EN AUCUN CAS ÊTRE ENGAGÉE POUR UN MONTANT SUPÉRIEUR À CELUI DU PRIX D'ACHAT. TITAN EXCLUT TOUTE RESPONSABILITÉ RELATIVE AUX DOMMAGES INDIRECTS, ACCESSOIRES OU PARTICULIERS, DANS LES LIMITES PRÉVUES PAR LA LOI.

TITAN NE DONNE AUCUNE GARANTIE ET DÉCLINE TOUTE GARANTIE IMPLICITE DE QUALITÉ MARCHANDE ET DE COMPATIBILITÉ AVEC UN USAGE PARTICULIER EN CE QUI CONCERNE LES ACCESSOIRES, L'APPAREIL, LES MATÉRIAUX OU LES COMPOSANTS VENDUS MAIS NON FABRIQUÉS PAR TITAN. CES DERNIERS ÉLÉMENTS, VENDUS MAIS NON FABRIQUÉS PAR TITAN (MOTEURS À ESSENCE, COMMUTATEURS, FLEXIBLES, ETC.), SONT SOUMIS, LE CAS ÉCHÉANT, À LA GARANTIE DU FABRICANT. TITAN S'ENGAGE À PORTER ASSISTANCE AUX ACHETEURS, DANS LES LIMITES DU RAISONNABLE, POUR LA CONSTITUTION DE RÉCLAMATIONS RELATIVES AU NON RESPECT DE CES GARANTIES.

### UNITED STATES SALES & SERVICE

**WEB:** [www.titantool.com](http://www.titantool.com)

**PHONE:** 1-800-526-5362

1770 Fernbrook Lane

Minneapolis, MN 55447

### INTERNATIONAL

**WEB:** [www.titantool-international.com](http://www.titantool-international.com)

# ¡Advertencia!

## ¡Atención: Peligro de lesiones por inyección!

Los equipos Airless producen unas presiones de pulverización extremadamente altas.



**1**

**¡Nunca poner en contacto con el chorro de pulverización ni los dedos, ni las manos ni otras partes del cuerpo!**

**No dirigir nunca la pistola de pulverización hacia sí mismo, en dirección a otras personas y a animales.**

**No utilizar jamás la pistola sin el protector contra contactos.**

**No trate una lesión por pulverización como una lesión de corte inocua. En caso de lesiones cutáneas por contacto con material de recubrimiento o disolvente, consultar inmediatamente a un médico para un tratamiento rápido y correcto. Informe al médico sobre el material de recubrimiento o disolvente utilizado.**

**2**

**Antes de toda puesta en funcionamiento se tendrán en cuenta los puntos siguientes; conforme a las instrucciones de uso:**

1. No utilizar equipo defectuoso.
2. Asegurar la pistola mediante la palanca de seguridad que se encuentra en la misma.
3. Asegurar la puesta a tierra.
4. Verificar la presión de servicio admitida por la manguera de alta presión y la pistola de pulverización. Controlar la hermeticidad de todos los elementos de unión.

**3**

**Respetar estrictamente las instrucciones dadas para la limpieza y el mantenimiento del equipo que deben efectuarse con toda regularidad.**

**Antes de cualquier trabajo en el equipo y durante todas las pausas de trabajo, respetar sin falta las reglas siguientes:**

1. Descargar la presión de la pistola y la manguera.
2. Asegurar la pistola mediante la palanca de seguridad que se encuentra en la misma.
3. Desconectar el aparato.

# ¡Preste atención a la seguridad!

<b>1</b>	<b>NORMAS DE SEGURIDAD PARA LA PULVERIZACIÓN AIRLESS</b>	<b>44</b>
1.1	Explicación de los símbolos utilizados	44
1.2	Peligros para la seguridad	44
1.3	Seguridad de la unidad de potencia	46
1.4	Instalación en superficies irregulares	46
<b>2</b>	<b>SINOPSIS DE APLICACIÓN</b>	<b>47</b>
2.1	Campos de aplicación	47
2.2	Materiales de recubrimiento	47
<b>3</b>	<b>DESCRIPCIÓN DEL APARATO</b>	<b>48</b>
3.1	Proceso Airless	48
3.2	Lista de manuales de instrucciones	48
3.3	Funcionamiento del aparato	48
3.4	Cuadro explicativo	49
3.5	Datos técnicos	50
3.6	Transporte	50
<b>4</b>	<b>FUNCIONAMIENTO</b>	<b>51</b>
4.1	Manguera de alta presión y pistola de pulverización	51
4.2	Arranque/detención de la unidad de potencia (motor)	52
4.3	Preparación de un nuevo pulverizador	52
4.4	Prepararse para pintar	53
4.5	Procedimiento para liberar presión	53
<b>5</b>	<b>PULVERIZACIÓN</b>	<b>54</b>
5.1	Limpieza de una boquilla obstruida	54
5.2	Interrupción del trabajo	55
5.3	Manejo de la manguera de alta presión	55
<b>6</b>	<b>LIMPIEZA</b>	<b>56</b>
6.1	Instrucciones especiales de limpieza a seguir con disolventes inflamables	56
6.2	Limpieza del pulverizador	56
6.3	Limpieza del aparato por fuera	57
6.4	Filtro de aspiración	57
6.5	Limpieza del filtro de alta presión	57
6.6	Limpieza de la pistola de pulverización Airless	58
<b>7</b>	<b>MANTENIMIENTO</b>	<b>59</b>
7.1	Mantenimiento general	59
7.2	Manguera de alta presión	59
7.3	Consumibles típicos	23
7.4	Procedimiento en caso de averías	60
	<b>GARANTÍA</b>	<b>61</b>
	<b>ACCESORIOS</b>	<b>62</b>

# 1 NORMAS DE SEGURIDAD PARA LA PULVERIZACIÓN AIRLESS

## 1.1 EXPLICACIÓN DE LOS SÍMBOLOS UTILIZADOS

El presente manual contiene información que deberá leer y comprender bien antes de utilizar el equipo. Cuando llegue a una sección que tenga uno de los siguientes símbolos, preste especial atención y asegúrese de que se cumplen las medidas de seguridad.



→ Este símbolo indica un peligro potencial que puede provocar lesiones graves e incluso la muerte. A continuación se incluye información importante de seguridad.



Atención

→ Este símbolo indica un peligro potencial para usted o para el equipo. A continuación se incluye información importante para evitar daños al equipo o evitar situaciones que podrían provocar lesiones de segundo orden.



→ Peligro de lesiones por inyección



→ Peligro de incendio



→ Peligro de explosión



→ Mezclas de vapores tóxicos y/o inflamables. Peligro de intoxicación y quemadura



→ Las notas añaden información importante a la que debe prestarse especial atención.



→ **¡ADVERTENCIA! ADVERTENCIA DE LA PROPUESTA 65 DE CALIFORNIA**

Este producto lo puede exponer a productos químicos, como el plomo, que el estado de California sabe que producen cáncer, defectos congénitos u otros daños reproductivos.

Para obtener más información, visite [www.P65warnings.ca.gov](http://www.P65warnings.ca.gov).

## 1.2 PELIGROS PARA LA SEGURIDAD



### PELIGRO: LESIÓN CAUSADA POR INYECCIÓN

La corriente de líquido a alta presión que produce este equipo puede perforar la piel y tejidos interiores, pudiendo provocar graves lesiones e incluso hay posibilidad de amputación.

No trate una lesión por pulverización como una lesión de corte inocua. En caso de lesiones cutáneas por contacto con material de recubrimiento o disolvente, consultar inmediatamente a un médico para un tratamiento rápido y correcto. Informe al médico sobre el material de recubrimiento o disolvente utilizado.

### PREVENCIÓN:

- NUNCA dirija la pistola a ninguna parte del cuerpo.
- NUNCA toque con ninguna parte del cuerpo la corriente de líquido. NO toque con ninguna parte del cuerpo ninguna fuga en la manguera de líquido.
- NUNCA ponga la mano delante de la pistola. Los guantes no serán protección suficiente contra una lesión por inyección.
- Ponga SIEMPRE el seguro del gatillo de la pistola, cierre la bomba y libere toda la presión antes de realizar labores de mantenimiento y reparación, limpiar la boquilla o el protector, cambiar la boquilla o dejar de usarla. La presión no se descargará apagando el motor. La válvula PRIME/SPRAY o válvula de purga de presión debe estar en la posición adecuada para liberar la presión del sistema. Consulte el PROCEDIMIENTO PARA LIBERAR PRESIÓN descrito en el presente manual.
- Mantenga SIEMPRE el protector de la boquilla en su sitio mientras pulveriza. El protector de la boquilla ofrece cierta protección pero principalmente se trata de un dispositivo de advertencia.
- Desmante SIEMPRE la boquilla pulverizadora antes de enjuagar o limpiar el sistema.
- NUNCA use una pistola pulverizadora si el seguro del gatillo no funciona o si la protección del gatillo no está en su sitio.
- Todos los accesorios deben cumplir o superar las especificaciones nominales para la gama de presiones de funcionamiento del pulverizador. Esto incluye boquillas pulverizadoras, pistolas, extensiones y manguera.



### PELIGRO: MANGUERA DE ALTA PRESIÓN

En la manguera de pintura pueden aparecer fugas a causa del desgaste, de retorcimientos o de un mal uso. Una fuga puede proyectar material hacia la piel. Revise siempre la manguera antes de usarla.

#### PREVENCIÓN:

- Evitar doblar mucho o plegar la manguera de alta presión, radio de flexión mínimo, aprox. 20 cm.
- No pasar por encima de la manguera de alta presión, protegerla contra contactos con objetos agudos y cantos cortantes.
- Sustituir inmediatamente la manguera de alta presión dañada.
- ¡No reparar nunca una manguera de alta presión defectuosa!
- La carga electrostática de la pistola de pulverización y la manguera de alta presión se descarga a través de la manguera de alta presión. Por esa razón, la resistencia eléctrica entre los empalmes de la manguera de alta presión debe ser igual o menor a un Megaohm.
- Por razones de funcionamiento, seguridad y duración, emplear únicamente mangueras de alta presión originales de Titan.
- Cada vez que vaya a utilizar el equipo, compruebe antes todas las mangueras en busca de cortes, fugas, abrasión o bultos en la cubierta. Compruebe el movimiento de los acoplamientos y si están dañados. Sustituya inmediatamente una manguera si descubre alguna de estas anomalías. No repare nunca una manguera de pintar. Sustitúyala por una manguera a alta presión puesta a tierra.
- Asegúrese de que la manguera de aire y las mangueras de pulverización estén dispuestos de forma que minimicen el peligro de deslizamientos, tropiezos y caídas.



### PELIGRO: EXPLOSIONES E INCENDIOS



Los vapores inflamables, como los vapores de las pinturas y los solventes, pueden encenderse o explotar en el área de trabajo.

#### PREVENCIÓN:

- Use el equipo solo en áreas bien ventiladas. Mantenga un buen suministro de aire fresco moviéndose a través del área para mantener el aire al interior del área de pulverización libre de acumulación de vapores inflamables. Mantenga el conjunto de la bomba en un área bien ventilada. No pulverice el conjunto de la bomba.
- Elimine todas las fuentes de encendido como luces de piloto, cigarrillos, lámparas eléctricas portátiles y cubiertas plásticas (potenciales arcos estáticos).
- Mantenga el área de trabajo libre de desechos, lo que incluye solventes, trapos y gasolina.
- No conecte o desconecte cables de alimentación ni prenda o apague interruptores de luz o de energía cuando hay vapores inflamables presentes.
- Conecte a tierra el equipo y los objetos conductores en el área de trabajo. Asegúrese de que el cable de conexión a tierra (no viene equipado) está conectado desde el terminal de conexión a tierra a tierra verdadera.
- Use solo mangueras conectadas a tierra.
- Sostenga firmemente la pistola pulverizadora en el costado de un cubo conectado a tierra cuando se aprieta el gatillo hacia un cubo.
- Si hay formación estática de chispas o si usted siente una descarga, detenga inmediatamente la operación.
- Conozca el contenido de la pintura y de los solventes que se pulverizan. Lea todas las hojas de datos de seguridad de materiales (SDS) y las etiquetas de los recipientes proporcionadas con las pinturas y solventes. Siga las instrucciones de seguridad de los fabricantes de las pinturas y los solventes.
- No use una pintura o un solvente que contenga hidrocarburos halogenados. Tales como: cloro, fungicida, blanqueador, cloruro de metileno y tricloroetano. Estos no son compatibles con el aluminio. Contacte con el proveedor del recubrimiento para obtener información acerca de la compatibilidad del material con el aluminio.
- Mantenga un extintor de incendios en el área.



**PELIGRO: VAPORES PELIGROSOS**

Las pinturas, disolventes, y otros materiales pueden ser perjudiciales si se inhalan o entran en contacto con el cuerpo. Los vapores pueden provocar náuseas intensas, desmayos o envenenamiento.

**PREVENCIÓN:**

- Ponerse una careta respiratoria durante los trabajos de pulverización. Lea todas las instrucciones facilitadas con la mascarilla para asegurarse de que proporciona toda la protección necesaria.
- Se deben respetar todas las normas de seguridad con respecto a la protección contra vapores dañinos.
- Lleve gafas protectoras.
- Para proteger la piel se necesitan especialmente ropa protectora, guantes y, si es necesario, crema cutánea de protección. Prestar atención a las prescripciones de los fabricantes con respecto a materiales de recubrimiento, disolventes y agentes limpiadores durante la preparación, el tratamiento y la limpieza de los aparatos.



**PELIGRO: GENERAL**

Pueden producirse lesiones graves o daños materiales.

**PREVENCIÓN:**

- Cumpla todos los reglamentos locales, estatales y nacionales pertinentes relativos a ventilación, prevención de incendios y funcionamiento.
- Al apretar el gatillo, la mano que sujeta la pistola pulverizadora experimenta una fuerza de retroceso. La fuerza de retroceso de la pistola pulverizadora es especialmente fuerte cuando se quita la boquilla y se selecciona una presión alta para la bomba airless. Cuando vaya a limpiar la boquilla pulverizadora, ponga la perilla de control de presión al mínimo.
- Emplee solamente piezas autorizadas por el fabricante. El usuario asumirá todos los riesgos y toda la responsabilidad cuando utilice piezas que no cumplan con las especificaciones mínimas y dispositivos de seguridad del fabricante de la bomba.
- Siga SIEMPRE las instrucciones del fabricante del material para que la manipulación de pinturas y disolventes sea segura.
- Limpie inmediatamente todos los derrames de materiales y solventes para evitar el peligro de deslizamiento.
- Lleve protección para los oídos.

- Nunca deje este equipo sin vigilancia. Manténgalo fuera del alcance de los niños o de cualquier persona que no esté familiarizada con el funcionamiento de equipos airless.
- No pulverice al aire libre si hace viento.
- El dispositivo y todos los líquidos relacionados (es decir, aceite hidráulico) se deben desechar de una forma amigable con el medioambiente.

	<p>NO utilice este equipo para pulverizar agua o ácido.</p>
	<p>Al cargar o descargar el equipo, no lo levante tomándolo de la empuñadura del carro. El aparato es muy pesado. Se necesitan tres personas para levantarlo.</p>

**1.3 SEGURIDAD DE LA UNIDAD DE POTENCIA**

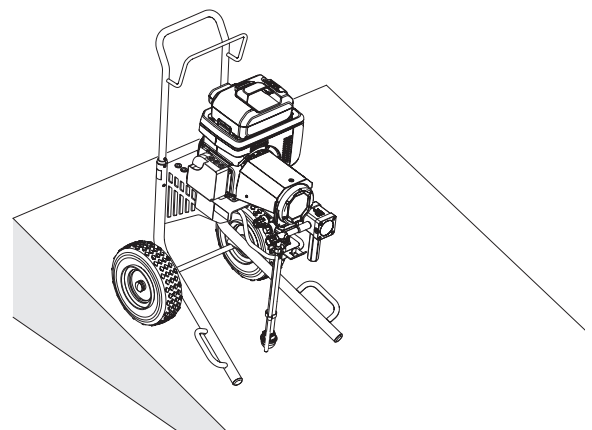
	<p>Antes de usar la unidad, familiarícese con todas las advertencias e instrucciones de los manuales de Honda incluidos:</p> <ol style="list-style-type: none"> <li>1) Paquete de baterías</li> <li>2) Cargador de baterías</li> <li>3) Unidad de potencia</li> </ol> <p>Estos manuales contienen información que es esencial para operar la unidad de manera correcta y segura.</p>
--	--

**1.4 INSTALACIÓN EN SUPERFICIES IRREGULARES**

La parte frontal del equipo debe estar dirigida hacia abajo para evitar cualquier resbalamiento.

Sobre fondos inclinados, ya que tiende a moverse mediante vibraciones.

①



## 2 SINOPSIS DE APLICACIÓN

### 2.1 CAMPOS DE APLICACIÓN

Los campos de aplicación principales son el recubrimiento con capas gruesas de material de recubrimiento de alta viscosidad de grandes superficies y con alta aplicación de material.

Imprimación y recubrimiento final de superficies grandes, barnizado plástico, impermeabilización, saneamiento de construcciones, protección y renovación de fachadas, protección anticorrosiva y protección de construcciones, saneamiento de hormigón, así como protección anticorrosiva de gran intensidad.

#### EJEMPLOS DE OBJETOS DE PULVERIZACIÓN

Obras grandes, torres refrigerantes, puentes, instalaciones depuradoras y techos planos.

### 2.2 MATERIALES DE RECUBRIMIENTO

#### MATERIALES DE RECUBRIMIENTO PROCESABLES

Lacas y pinturas diluibles con agua y que contienen disolvente, materiales de recubrimiento bicomponentes, dispersiones, pinturas látex.

El procesamiento de otros materiales de recubrimiento se admite sólo con autorización de la empresa TITAN.



Preste atención a la calidad Airless de los materiales de recubrimiento a procesar.

#### VISCOSIDAD

El equipo permite el procesamiento de materiales de recubrimiento con una viscosidad de hasta 20.000 mPas. Si el rendimiento de la pulverización disminuye demasiado al pulverizar materiales de recubrimiento de alta viscosidad, estos se tendrán que diluir conforme a las indicaciones del fabricante.



Atención: Al remover con un mecanismo agitador accionado a motor, prestar atención de que no se formen burbujas, ya que éstas dificultan la pulverización, y pueden también interrumpir el funcionamiento.

#### MATERIALES DE RECUBRIMIENTO CON SUSTANCIAS ACCESORIAS DE CANTO VIVO

Estas partículas ejercen en válvulas y boquillas, pero también en la pistola de pulverización, un elevado efecto de desgaste, que merma considerablemente la vida útil de estos consumibles.

#### FILTRADO

Para un funcionamiento sin desperfectos es necesario un filtrado eficiente. Limpe a pistola de pulverização após cada utilização. Se recomienda urgentemente controlar con regularidad el deterioro o ensuciamiento de estos filtros.

### 3 DESCRIPCIÓN DEL APARATO

#### 3.1 PROCESO AIRLESS

Los campos de aplicación principales son el recubrimiento con capas gruesas de material de recubrimiento de alta viscosidad de grandes superficies y con alta aplicación de material.

Una bomba de pistón succiona el material de recubrimiento y lo transporta a la boquilla a presión.

El material de recubrimiento se pulveriza impulsado a través de la boquilla a una presión de hasta 228 bar (22,8 MPa). Esta alta presión produce una pulverización micrométrica del material de recubrimiento.

Dado que en este sistema no se utiliza aire, este proceso se denomina proceso AIRLESS (exento de aire).

Esta forma de pulverizar reúne las ventajas de la más fina pulverización, un funcionamiento pobre en neblinas y una superficie lisa y sin burbujas. Junto a estas ventajas se pueden mencionar la velocidad de trabajo y la gran manejabilidad.

#### 3.2 LISTA DE MANUALES DE INSTRUCCIONES

La siguiente es una lista de los manuales de instrucciones disponibles para esta unidad.

Los elementos en línea se pueden descargar en [www.titantool.com](http://www.titantool.com).

DESCRIPCIÓN	N.º DE FORM.	CÓMO ENCONTRARLO
<b>Instrucciones de uso</b>		
EN/F/ES	2470620	<ul style="list-style-type: none"> <li>• incluido con la unidad</li> <li>• en línea</li> </ul>
<b>Manual de servicio técnico, repuestos</b>		
EN/F/ES	2470621	<ul style="list-style-type: none"> <li>• en línea</li> </ul>
<b>Manual de operación / servicio técnico, pistola pulverizadora RX-Pro</b>		
Todos los idiomas	538801	<ul style="list-style-type: none"> <li>• incluido con la unidad</li> <li>• en línea</li> </ul>

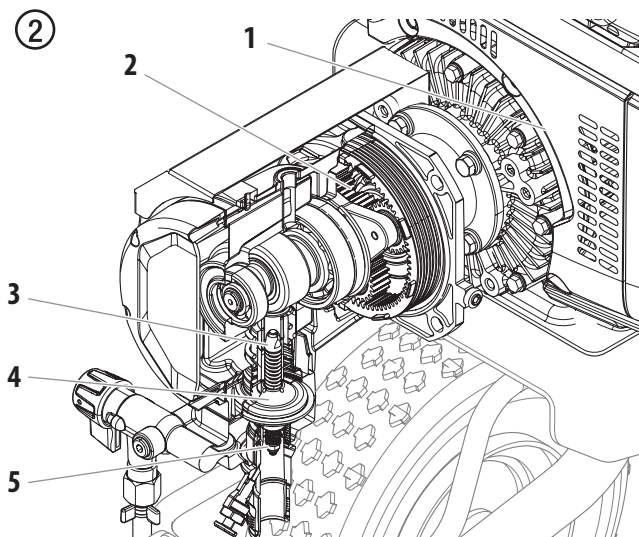
#### 3.3 FUNCIONAMIENTO DEL APARATO

A continuación la estructuración técnica a grandes rasgos, a fin de una mejor comprensión del funcionamiento.

Elite 3500 72V es un equipo de pulverización de pintura de alta presión accionado por un motor eléctrico.

El motor eléctrico (Fig. 2, 1) acciona la bomba hidráulica mediante los engranajes planetarios (2). Un pistón (3) se mueve hacia arriba y hacia abajo, de modo que el aceite hidráulico se mueva bajo el diafragma (4), el cual se mueve posteriormente.

Mediante el movimiento de la membrana hacia abajo, la válvula de admisión de disco (5) abre automáticamente y el material de recubrimiento se aspira.



Con el movimiento de la membrana hacia arriba, el material de recubrimiento se desplaza y la válvula de escape de bola se abre, mientras la válvula de admisión está cerrada.

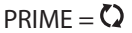

El material de recubrimiento circula a alta presión por la manguera de alta presión a la pistola de pulverización y se pulveriza a la salida en la boquilla.

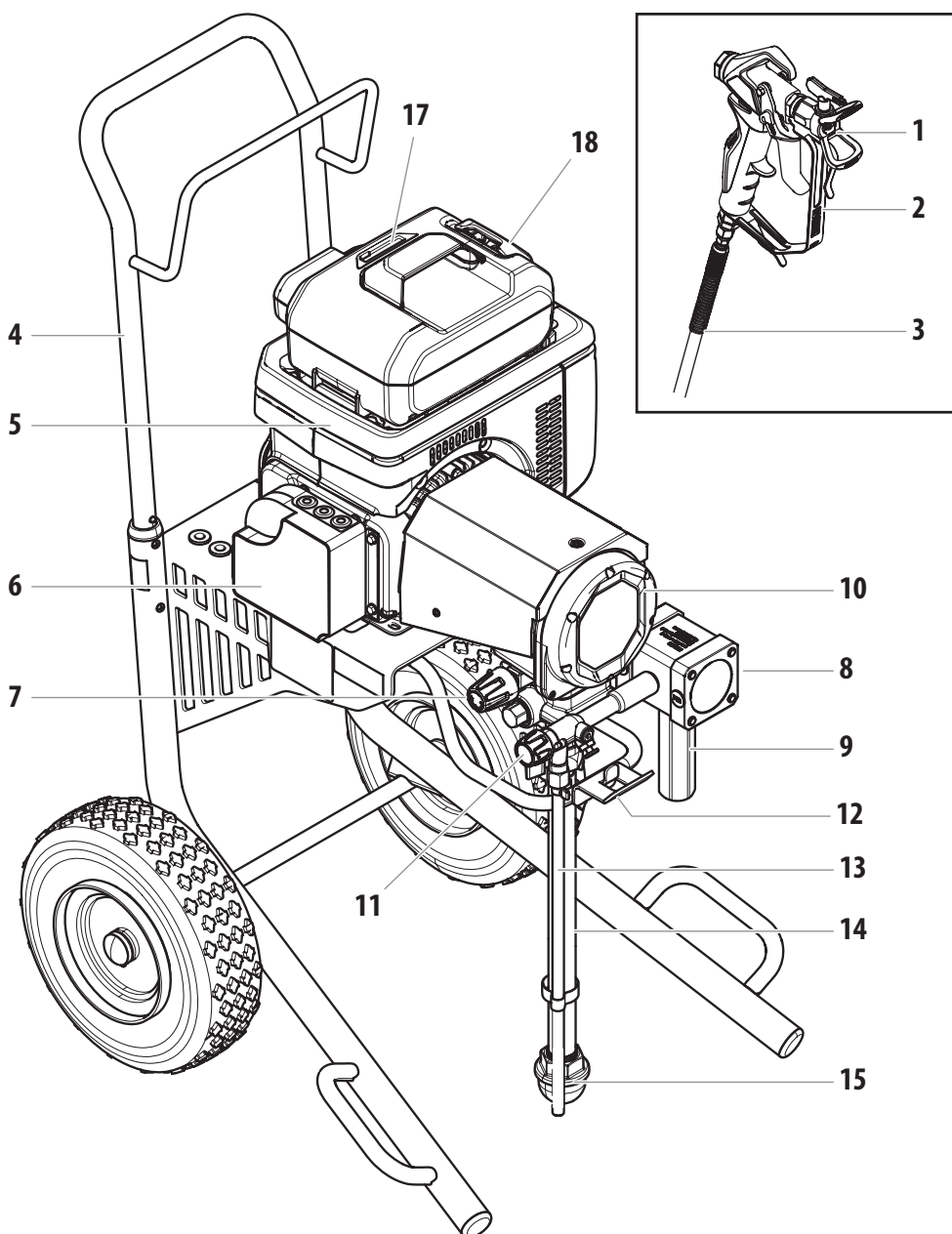
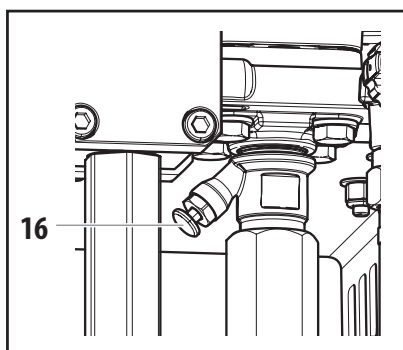
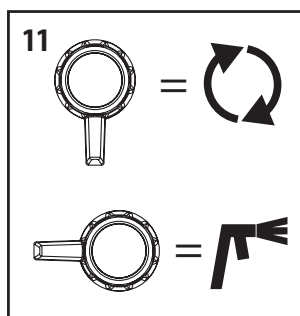
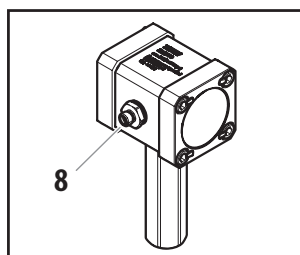
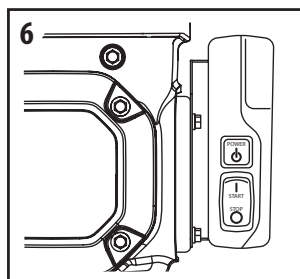
La válvula reguladora de presión limita la presión ajustada en el circuito de aceite hidráulico y con ello también la presión del material de recubrimiento.

Un cambio de presión durante el empleo de la misma boquilla conduce también al cambio de la cantidad de pintura pulverizada.



### 3.4 CUADRO EXPLICATIVO

1. Protección de boquilla con boquilla sin aire
2. Pistola de pulverización
3. Manguera de alta presión
4. Carro
5. Motor eléctrico
6. Controles del motor (consulte la sección 4.2)
7. Mando regulador de presión
8. Conexión de manguera de alta presión
9. Filtro de alta presión
10. Conjunto de bomba
11. Válvula de descarga  
PRIME =   
SPRAY = 
12. Gancho de cubo
13. Manguera de purga
14. Manguera de sifón
15. Filtro de succión
16. Vástago impulsor
17. Indicador de nivel de carga
18. Paquete de baterías



### 3.5 DATOS TÉCNICOS

Elite 3500 72V	
<b>Motor de energía de CC</b>	Honda GXE 2.0H
<b>Batería de iones de litio recargable</b>	DC 72V, 720 Wh, 10Ah
<b>Presión de servicio máx.</b>	22,8 MPa (228 bar)
<b>Potencia del motor neumático con 5 bar y 750 rpm</b>	0,228 kW
<b>Intensidad volumétrica máx.</b>	2,8 l/min
<b>Intensidad volumétrica a 0,6 MPa (6 barios) con agua</b>	2.3 l/min
<b>Temperatura máx. del material de recubrimiento</b>	43 °C
<b>Conexión para la manguera de material</b>	1/4"-18 NPSM
<b>Viscosidad máx.</b>	20.000 mPas
<b>Boquilla tamaño máx</b>	0,027" – 0,68 mm
<b>Peso de bomba vacía</b>	
sin batería	51 kg
con batería	58 kg
<b>Medidas (L x B x H)</b>	75 cm x 63 cm x 112 cm
<b>Capacidad de llenado de aceite hidráulico</b>	
Carcasa hidráulica	1,15 litros
Engranaje	0,05 litros
<b>Vibración máx. de la pistola de pulverización</b>	
	menor que 2,5 m/s <sup>2</sup>
<b>Nivel de presión sonora máx.</b>	
	74 dB (A)*

\* Punto de medición: Distancia 1 m al lado del equipo y 1,60 m sobre el suelo, presión de servicio 12 MPa (120 barios), suelo anticústico

### TEMPERATURA DE FUNCIONAMIENTO

Este equipo funcionará correctamente en su ambiente previsto, a una temperatura mínima entre +10° C y +40° C.

### HUMEDAD RELATIVA

Este equipo funcionará correctamente en un ambiente a una humedad relativa del 50% y a una temperatura de +40° C. Se podría permitir una humedad relativa más alta a temperaturas más bajas.

El cliente deberá tomar las medidas necesarias para evitar los efectos dañinos de la condensación ocasional.

### TRANSPORTE Y ALMACENAMIENTO

Este equipo resistirá, o se ha protegido contra temperaturas de almacenamiento y transporte de -5° C a +30° C y, por períodos cortos, de hasta +70° C.

Se ha embalado para evitar daños a causa de los efectos de condiciones normales de humedad, vibración y choque.

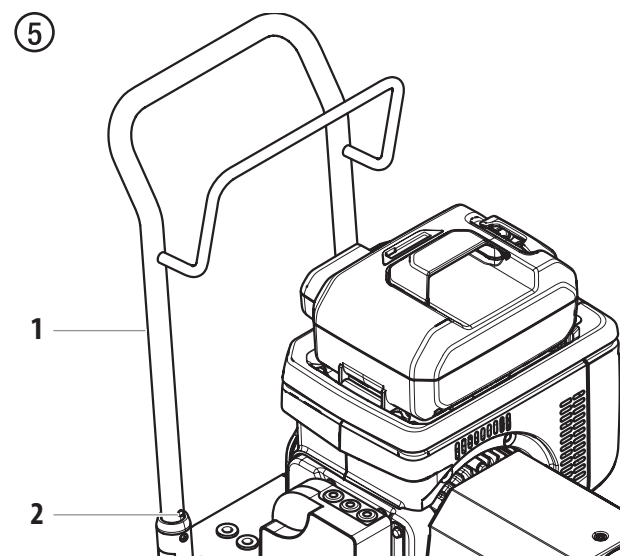
### 3.6 TRANSPORTE

#### TRANSPORTE EN EL VEHÍCULO



Asegurar el aparato con medios de sujeción adecuados.

#### EMPUJAR O TIRAR PARA MOVER EL EQUIPO

Extraer la empuñadura (Fig. 5, Pos. 1) hasta el tope. Introducción de la empuñadura – Accionar los pulsadores (2) en los largueros, e introducir luego la empuñadura.

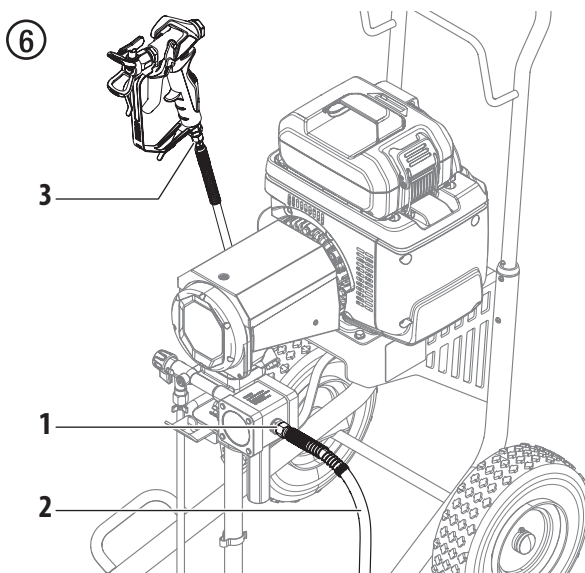


## 4 FUNCIONAMIENTO

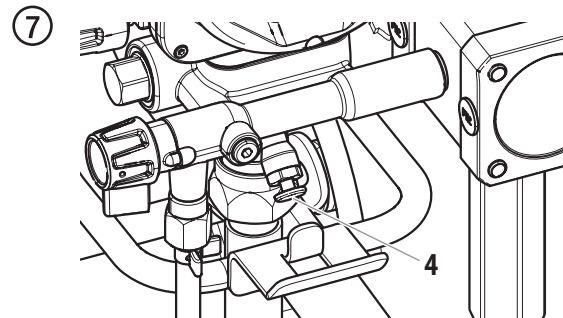
	<p>Este equipo produce una corriente de líquidos a presiones extremadamente altas. Lea y comprenda las advertencias de la sección Precauciones de seguridad que aparecen en la primera parte de este manual antes de operar este equipo.</p>
	<p>Lista de comprobación previa a la configuración:</p> <ul style="list-style-type: none"> <li>• Asegúrese de que el paquete de baterías esté completamente cargado</li> <li>• Asegúrese de que el paquete de baterías esté correctamente instalado en la unidad de potencia.</li> <li>• Familiarícese con los controles y características de la unidad de potencia.</li> <li>• Consulte los manuales de instrucciones de Honda (paquete de baterías, cargador de baterías y unidad de potencia) para conocer toda la información de seguridad y las instrucciones de uso de la unidad de potencia.</li> </ul>

### 4.1 MANGUERA DE ALTA PRESIÓN Y PISTOLA DE PULVERIZACIÓN

1. Enroscar la manguera de alta presión (2) en la salida de material de recubrimiento (Fig. 6, Pos. 1).
2. Atornillar la pistola de pulverización (3) con la boquilla elegida en la manguera de alta presión.
3. Apretar bien la tuerca tapón en la manguera de alta presión, para que no salga material de recubrimiento.



4. Presione completamente el vástago impulsor (Fig. 7, pos. 4) para asegurarse de que la bola de entrada esté libre.



5. Cerciórese de que el pulverizador esté puesto a tierra. Todos los pulverizadores están equipados con una lengüeta de puesta a tierra. Debe emplearse un cable de puesta a tierra (no incluido) para conectar el pulverizador a tierra física real. Compruebe las normativas locales sobre electricidad en busca de instrucciones más detalladas acerca de la puesta a tierra.



Una puesta a tierra adecuada es importante. El paso de materiales por la manguera de líquido de nylon acumulará una carga de electricidad estática, que si se descarga, podría inflamar los vapores de disolvente presentes y provocar una explosión.

6. Filtre todas las pinturas con un colador de nylon para garantizar un funcionamiento sin problemas y no tener que limpiar regularmente el tamiz de admisión y el filtro de la pistola.
7. Asegúrese de que la zona a pulverizar esté bien ventilada para evitar riesgos durante la pulverización provocados por disolventes volátiles.



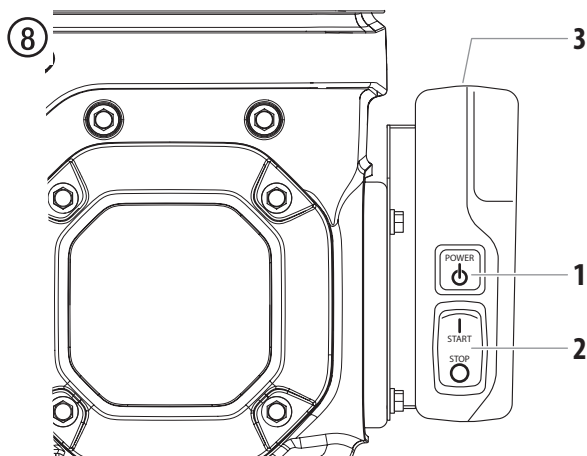
Si se va a pulverizar laca u otro material inflamable, SIEMPRE ubique el pulverizador lejos del área inmediata donde se va a aplicar. De lo contrario, se puede provocar una explosión.

8. Ubique el pulverizador lejos del área inmediata de aplicación para evitar la obstrucción de la entrada de aire del motor con exceso de material.

## 4.2 ARRANQUE / DETENCIÓN DE LA UNIDAD DE POTENCIA (MOTOR)

<b>i</b>	<p>Siga estos pasos siempre que se indique arrancar el motor.</p> <p>Consulte los manuales de instrucciones de Honda (paquete de baterías, cargador de baterías y unidad de potencia) para conocer toda la información de seguridad y las instrucciones de uso de la unidad de potencia.</p>
----------	--

1. Asegúrese de que la batería esté cargada e instalada correctamente.
2. Presione el botón "POWER" (Encendido) (Fig. 8, elemento 1) para encender la energía. La luz indicadora verde de energía (3) se encenderá después de algunos segundos.
3. Presione "START" (Arranque) (2) para arrancar el motor.



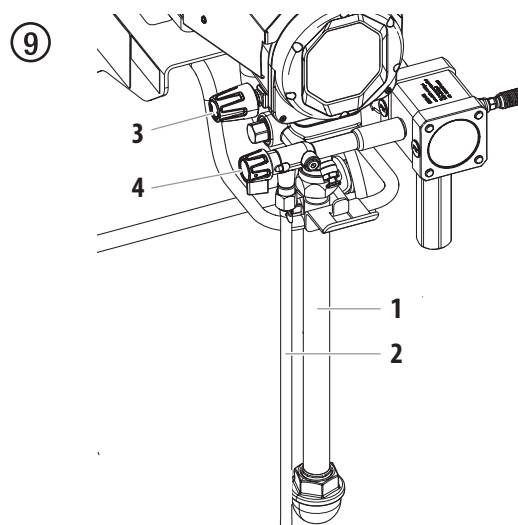
4. Para apagar el motor, presione el interruptor "STOP" (Detener). Esto también apagará la energía hacia el sistema.

	<p><b>PELIGRO DE INYECCIÓN.</b> El apagado de la energía hacia la unidad no libera automáticamente la presión del sistema. Siga el Procedimiento de liberación de presión (Sección 4.5)</p>
--	---

## 4.3 PREPARACIÓN DE UN NUEVO PULVERIZADOR

<b>i</b>	<p>Si el pulverizador es nuevo, se envía con un líquido de prueba en la sector del fluido para evitar la corrosión durante su transporte y almacenamiento. Dicho líquido debe limpiarse a fondo y eliminarse del sistema con alcoholes minerales antes de empezar a pulverizar.</p>
	<p><b>Atención</b></p> <p>Tenga siempre puesto el seguro de la pistola pulverizadora mientras prepara el sistema.</p> <p>Consulte el manual de instrucciones de la pistola pulverizadora para obtener instrucciones acerca del seguro del gatillo</p>
<b>i</b>	<p>Asegúrese de que la pistola pulverizadora no tenga la boquilla o el protector de la misma puestos.</p>

1. Sumergir la manguera de aspiración (Fig. 9, Pos. 1) y la manguera de retorno (2) en un depósito con agente limpiador adecuado.
2. Girar el mando regulador de presión (3) a mínima presión.
3. Abrir la válvula de descarga (4), posición de válvula PRIME (↻ circulación).



4. Arranque el motor (consulte la sección 4,2).
5. Esperar hasta que por la manguera de retorno salga detergente.
6. Cerrar la válvula de descarga, posición de válvula SPRAY (↖ pulverizar).
7. Desbloquee la pistola pulverizadora (consulte el manual de la pistola pulverizadora). Apretar el gatillo de la pistola de pulverización.
8. Pulverizar agente limpiador fuera del aparato a un recipiente colector abierto.

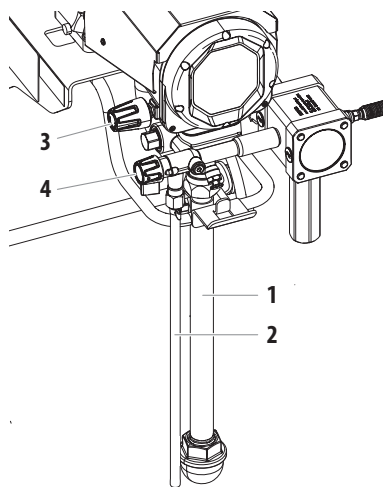
#### 4.4 PREPARARSE PARA PINTAR



Asegúrese de que la pistola pulverizadora no tenga la boquilla o el protector de la misma puestos.

1. Sumergir la manguera de aspiración (Fig. 9, Pos. 1) y la manguera de retorno (2) en un depósito con agente limpiador adecuado.
2. Girar el mando regulador de presión (3) a mínima presión.
3. Abrir la válvula de descarga (4), posición de válvula PRIME (↻ circulación).

9

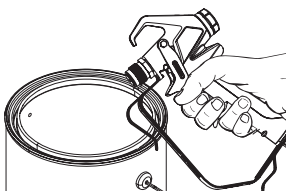


4. Arranque el motor (consulte la sección 4,2).
5. Cerrar la válvula de descarga, posición de válvula SPRAY (↖ pulverizar).
6. Apretar el gatillo de la pistola de pulverización.
7. Apretar el gatillo de la pistola de pulverización varias veces y pulverizar en un recipiente colector, hasta que el material de recubrimiento salga de forma ininterrumpida por la pistola de pulverización.



Mientras enjuaga la pistola, apóyela contra el borde del recipiente metálico para ponerla a tierra. De lo contrario, puede producirse una descarga de electricidad estática, lo cual podría provocar un incendio.

10



8. Para bloquear la pistola, gire el seguro del gatillo a la posición bloqueada (consulte el manual de la pistola pulverizadora).

9. Acople el protector de la boquilla a la pistola tal como se indica en los manuales de la boquilla o del protector.



POSIBILIDAD DE PELIGRO POR INYECCIÓN. No pulverice si el protector de la boquilla no está en su sitio. No apriete nunca el gatillo de la pistola a menos que la boquilla esté destapada o en posición de pulverización. Ponga siempre el seguro del gatillo antes de desmontar, sustituir o limpiar la boquilla.

10. Aumentar la presión girando el mando regulador de presión lentamente a una posición de presión más alta.

Comprobar la proyección del pulverizado, aumentando la pulverización hasta que sea impecable.

Girar el mando regulador de presión siempre a la posición más baja, que todavía permita buena pulverización.

11. El aparato está disponible para pulverizar.



Si se sube la presión más de lo necesario para atomizar la pintura, la boquilla sufrirá un desgaste prematuro y se producirá un exceso de pulverización.

#### 4.5 PROCEDIMIENTO PARA LIBERAR PRESIÓN



No olvide seguir el procedimiento de liberación de presión cuando pare el pulverizador por cualquier motivo, incluyendo labores de reparación, mantenimiento o ajuste de cualquier pieza del sistema pulverizador, sustitución o limpieza de boquillas o preparación para limpieza.

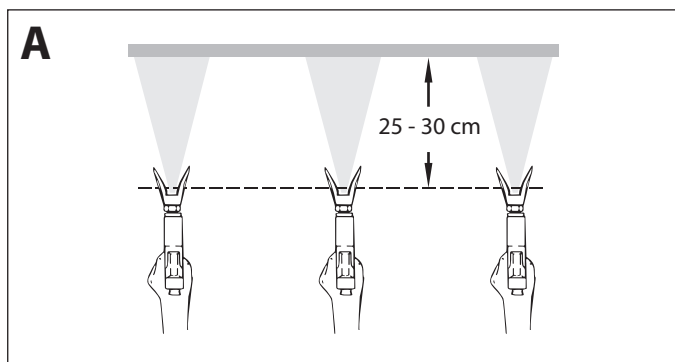
1. Ponga el seguro del gatillo en la posición de bloqueo para bloquear la pistola pulverizadora.
2. Gire del todo la perilla de control de presión en sentido contrario a las agujas del reloj para poner la presión al mínimo
3. Abrir la válvula de descarga, posición de válvula PRIME (↻ circulación).
4. Presione el interruptor START/STOP hacia STOP.
5. Ponga el seguro del gatillo en la posición de desbloqueo para desbloquear la pistola (consulte el manual de la pistola pulverizadora).
6. Apoye firmemente la parte metálica de la pistola contra un recipiente metálico para desperdicios con el fin de poner la pistola a tierra y evitar la acumulación de electricidad estática.
7. Accione la pistola para eliminar la presión que pueda quedar en la manguera.
8. Ponga el seguro del gatillo en la posición de bloqueo para bloquear la pistola.

## 5 PULVERIZACIÓN



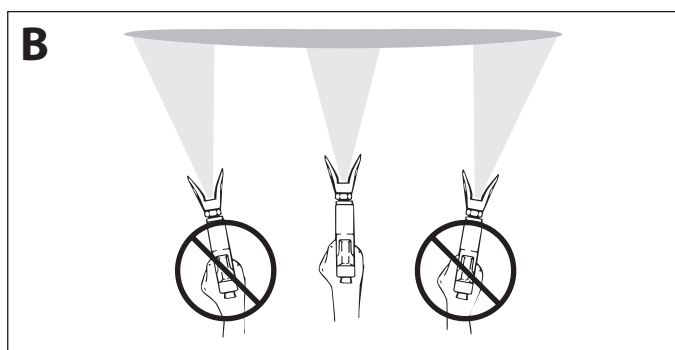
Peligro de inyección. No pulverice sin la protección de la punta en su lugar. NUNCA apriete el gatillo de la pistola a menos que la punta esté completamente girada en la posición de pulverización o de destrabado. SIEMPRE bloquee el gatillo de la pistola antes de retirar, reemplazar o limpiar la punta.

- A)** La clave para un buen trabajo de pintura es recubrir de forma pareja toda una superficie. Mueva su brazo a una velocidad constante y mantenga la pistola pulverizadora a una distancia constante de la superficie. La mejor distancia para pulverizar es de 25 a 30 cm entre la punta de pulverización y la superficie.

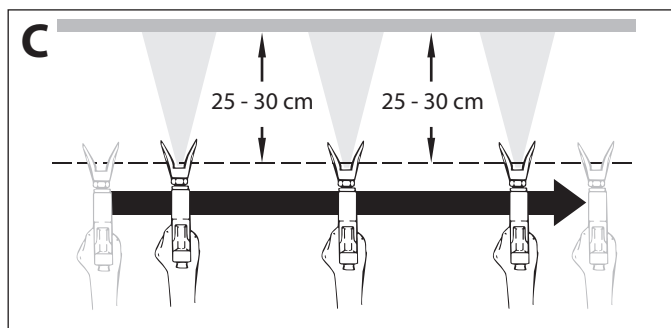


- B)** Mantenga la pistola pulverizadora en ángulos rectos respecto de la superficie. Esto quiere decir que debe mover todo el brazo de un lado a otro y no solo mover la muñeca.

Mantenga la pistola pulverizadora de forma perpendicular a la superficie, de lo contrario un extremo del patrón será más grueso que el otro.



- C)** Apriete el gatillo después de comenzar el trazo. Suelte el gatillo antes de terminar el trazo. La pistola pulverizadora debería estar en movimiento cuando se aprieta y suelta el gatillo. Superponga cada trazo cerca de 30%. Esto garantizará un recubrimiento pareja.



Al presentarse zonas con bordes y franjas en el chorro de pulverizado – aumentar la presión de servicio o diluir el material de recubrimiento.

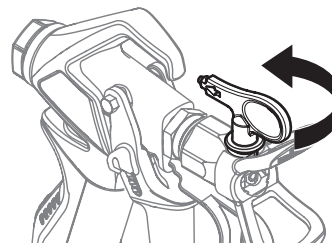
### 5.1 LIMPIEZA DE UNA BOQUILLA OBSTRUIDA



Si el patrón se distorsiona o se detiene completamente mientras tira del gatillo, realice los siguientes pasos.

1. Abrir la válvula de descarga, posición de válvula PRIME (↻ circulación).
2. Si la boquilla se obstruye, gire la empuñadura de la misma 180° hasta que la flecha situada en la empuñadura apunte al sentido opuesto a la dirección de pulverización y dicha empuñadura haga un chasquido que indique que está en la posición inversa (Fig. 11).
3. Cerrar la válvula de descarga, posición de válvula SPRAY (↖ pulverizar).

⑪




4. Apriete una vez el gatillo de la pistola para que la presión desatasque la obstrucción. NO apriete el gatillo más de UNA vez si la boquilla está al revés. Este procedimiento puede repetirse hasta eliminar la obstrucción de la boquilla.





El flujo de la boquilla pulverizadora se encuentra a muy alta presión. El contacto con cualquier parte del cuerpo puede ser peligroso. No coloque los dedos en la salida de la pistola. No apunte la pistola hacia otras personas. No accione la pistola pulverizadora sin el protector de boquilla adecuado.



## 5.2 INTERRUPCIÓN DEL TRABAJO

	Siga estos pasos si dejará de trabajar por hasta 20 horas.
---	--

1. Siga el "Procedimiento para liberar presión" (sección 4.5) incluido en el apartado Funcionamiento del presente manual.
2. Coloque la pistola pulverizadora en una bolsa plástica, o déjela en un balde con agua.
3. Deje el tubo de succión y la manguera de retorno sumergidos en el material de recubrimiento o sumérjalos en un agente de limpieza correspondiente.
4. Cubra el material de revestimiento con plástico y coloque la unidad en un lugar frío a la sombra para evitar que el material se seque.

 Atención	Al emplear materiales de recubrimiento de secado rápido - o bicomponentes, lavar el aparato a fondo sin falta con agente limpiador adecuado, dentro del tiempo de procesamiento.
	Cuando esté listo para volver a pulverizar, retire el plástico del recipiente de material y siga los pasos de la sección 4.4 para volver a arrancar el pulverizador.

## 5.3 MANEJO DE LA MANGUERA DE ALTA PRESIÓN




	La unidad está equipada con una manguera de alta presión especialmente adecuada para bombas sin aire.
	Riesgo de lesiones mediante manguera de alta presión con fugas. Sustituir inmediatamente la manguera de alta presión dañada. ¡No reparar nunca una manguera de alta presión defectuosa!

La manguera de alta presión se tiene que manejar con cuidado. Evitar doblarla o plegarla demasiado, radio de flexión mínimo, aprox. 20 cm.



No pasar por encima de la manguera de alta presión, protegerla contra contactos con objetos agudos y cantos cortantes.

No tirar nunca de la manguera de alta presión para desplazar el equipo.

Prestar atención a que la manguera de alta presión no se pueda torcer. Esto se puede evitar utilizando una pistola de pulverización Titan con articulación giratoria y un tambor de manguera.

	Para el manejo de la manguera de alta presión durante trabajos en andamios se ha comprobado como más ventajoso, dirigir la manguera siempre por la parte exterior del andamio.
	En mangueras de alta presión viejas aumenta el riesgo de defectos. Titan recomienda sustituir la manguera de alta presión al cabo de 6 años.
	Por razones de funcionamiento, seguridad y duración, emplear únicamente mangueras de alta presión originales de Titan.

## 6 LIMPIEZA


 <p><b>Atención</b></p>	<p>El pulverizador, la manguera y la pistola deben limpiarse a fondo cada día después de haberse utilizado, de lo contrario pueden acumularse materiales, lo cual afectará al rendimiento del pulverizador.</p>
	<p>Pulverice siempre a una presión mínima con la punta de la boquilla de la pistola quitada cuando utilice alcoholes minerales o cualquier otro disolvente para limpiar el pulverizador, la manguera o la pistola. La acumulación de electricidad estática puede provocar incendios o explosiones si hay vapores inflamables.</p>

### 6.1 INSTRUCCIONES ESPECIALES DE LIMPIEZA A SEGUIR CON DISOLVENTES INFLAMABLES

- Enjuague siempre la pistola pulverizadora preferiblemente fuera y, al menos, a la distancia de una manguera respecto a la bomba de pulverización.
- Si recoge disolventes ya usados en un recipiente metálico de unos 4 litros (aprox. 1 galón), colóquelo en un recipiente vacío de 20 litros (aprox. 5 galones), a continuación enjuague los disolventes.
- En la zona no debe haber vapores inflamables.
- Siga todas las instrucciones de limpieza.


### 6.2 LIMPIEZA DEL PULVERIZADOR

1. Siga el "Procedimiento para liberar presión" (sección 4.5) incluido en el apartado Funcionamiento del presente manual.
2. Desmonte la boquilla de la pistola y su protector y límpielos con un cepillo utilizando un disolvente adecuado.
3. Coloque la manguera de sifón en un recipiente apropiado para disolventes.


 <p><b>Atención</b></p>	<p>Utilice sólo disolventes compatibles cuando limpie el interior del aparato de esmaltes con base de aceite, lacas, alquitrán de hulla o epoxis. Consulte al fabricante del líquido cuál es el disolvente recomendado.</p>
--	---

4. Coloque la manguera de purga dentro de un recipiente metálico de desperdicios.
5. Gire del todo la perilla de control de presión (1) en sentido contrario a las agujas del reloj para poner la presión al mínimo.


6. Abrir la válvula de descarga, posición de válvula PRIME (↻ circulación).
7. Arranque el motor (consulte la sección 4,2).
8. Deje que el disolvente circule por el pulverizador y vacíe la pintura de la manguera de purga al recipiente metálico de desperdicios.
9. Cerrar la válvula de descarga, posición de válvula SPRAY (↻ pulverizar).

	<p>Mientras enjuaga la pistola, apóyela contra el borde del recipiente metálico para ponerla a tierra. De lo contrario, puede producirse una descarga de electricidad estática, lo cual podría provocar un incendio.</p>
---	--

10. Accione la pistola en el recipiente metálico de desperdicios hasta vaciar la pintura de la manguera y hasta que salga disolvente de la pistola.
11. Siga accionando la pistola pulverizadora en el recipiente de desperdicios hasta que el disolvente que salga de la pistola esté limpio.


	<p>Para almacenamiento a largo plazo, en climas fríos, o cualquier exposición a temperaturas bajo cero, bombee alcoholes minerales por todo el sistema.</p> <p>Para almacenamiento a corto plazo sin exposición a temperaturas bajo cero cuando use pintura látex, bombee agua mezclada con Titan Liquid Shield a través de todo el sistema (consulte la sección Accesorios de este manual para conocer el número de pieza y la etiqueta del producto para conocer las instrucciones de dilución).</p>
---	--

12. Siga el "Procedimiento para liberar presión" incluido en el apartado Funcionamiento del presente manual.
13. Guarde el pulverizador en una zona limpia y seca.

 <p><b>Atención</b></p>	<p>No almacene el pulverizador sometido a presión.</p>
--	--




### 6.3 LIMPIEZA DEL APARATO POR FUERA

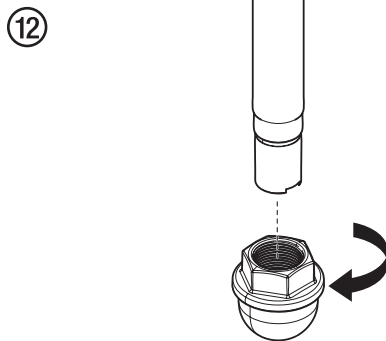
 <p><b>Atención</b></p>	<p>No pulverizar nunca el aparato con detergente o vapor detergente de alta presión.</p> <p>No sumergir la manguera de alta presión en disolventes. Limpiar el exterior únicamente con un paño empapado.</p>
--	--

Restregar el aparato por fuera con un paño empapado con agente limpiador adecuado.


### 6.4 FILTRO DE ASPIRACIÓN

	<p>Un filtro de aspiración limpio garantiza siempre máxima cantidad transportada, presión de pulverización constante y un correcto funcionamiento del aparato.</p>
---	--

1. Destornillar el filtro (Fig. 12) del tubo de aspiración.
  2. Limpiar o cambiar el filtro.
- Ejecutar la limpieza con un pincel duro y el respectivo agente limpiador.

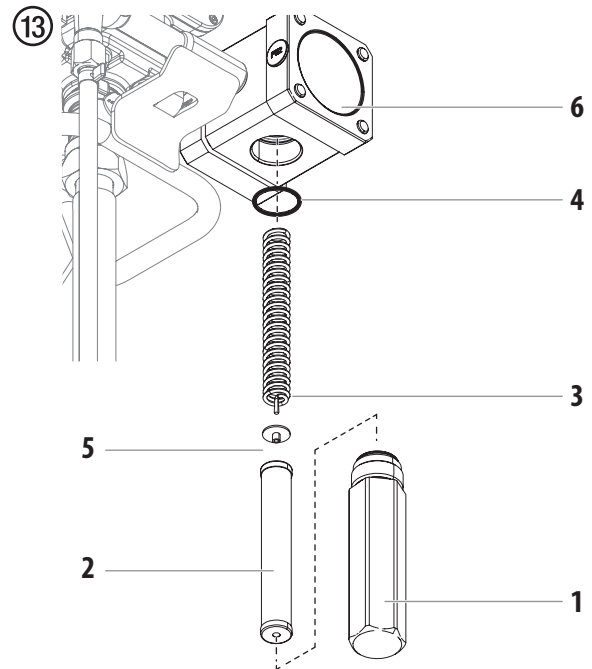



### 6.5 LIMPIEZA DEL FILTRO DE ALTA PRESIÓN

	<p>Limpiar el cartucho de filtro con regularidad. Un filtro de alta presión sucio u obstruido da lugar a una proyección del pulverizado deficiente o una boquilla obstruida.</p>
---	--

1. Siga el "Procedimiento para liberar presión" (sección 4.5) incluido en el apartado Funcionamiento del presente manual.
2. Desenroscar la caja de filtro (Fig. 13, Pos. 1) con llave de cinta abrazadora.
3. Extraer el cartucho de filtro (2) del resorte de apoyo (3).

4. Limpiar todas las piezas con agente limpiador apropiado. Si es necesario, cambiar el cartucho de filtro.
5. Comprobar el anillo tórico (4), sustituirlo si es necesario.
6. Colocar la arandela de apoyo (5) en el resorte de apoyo (3). Deslizar el cartucho de filtro (2) sobre el resorte de apoyo.
7. Atornillar la caja de filtro (1) y apretarla con llave de cinta abrazadora hasta el tope.



 <p><b>Atención</b></p>	<p>El amortiguador de pulsación (6) tiene una garantía de por vida.</p> <p>El amortiguador de pulsación contiene gas nitrógeno y nunca se debería abrir. Alterar el amortiguador de pulsación (es decir, retirar los cuatro pernos de la superficie del amortiguador) anulará la garantía de por vida.</p> <p>Póngase en contacto con el Servicio Técnico Titán a 1-800-526-5362 si cree que el amortiguador de pulsaciones requiere servicio.</p>
--	--

## 6.6 LIMPIEZA DE LA PISTOLA DE PULVERIZACIÓN AIRLESS



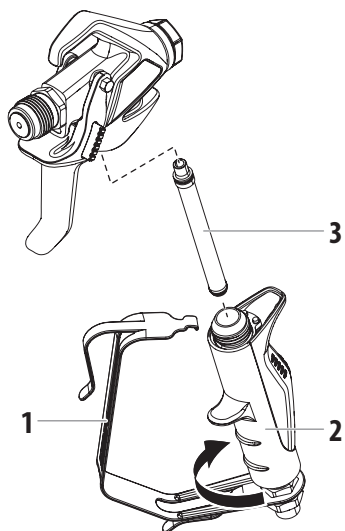
Limpié la pistola pulverizadora después de cada uso.

1. Lavar el interior de la pistola de pulverización Airless a baja presión de servicio con agente limpiador adecuado.
2. Limpiar a fondo la boquilla con agente limpiador detergente adecuado, de manera que no quede ningún resto de material de recubrimiento.
3. Limpiar a fondo la pistola de pulverización Airless por fuera.

### FILTRO ENCHUFABLE EN LA PISTOLA DE PULVERIZACIÓN AIRLESS (FIG. 14)

1. Desenganche la parte superior del guardamonte (1) desde el cabezal de la pistola.
2. Use la base del guardamonte como llave, suelte y retire el conjunto de la pieza de sujeción (2) del cabezal de la pistola.
3. Extraiga el filtro (3) viejo del cabezal de la pistola. Limpie o reemplace.
4. Introduzca el nuevo filtro, con el extremo cónico primero, en el cabezal de la pistola.
5. Enrosque el conjunto de la empuñadura en el cabezal de la pistola hasta que quede bien sujeto. Apriete con la llave del gatillo.
6. Fije el guardamonte de vuelta en el conjunto del cabezal de la pistola.

14



## 7 MANTENIMIENTO

### 7.1 MANTENIMIENTO GENERAL



Por motivos de seguridad se recomienda encarecidamente hacer efectuar anualmente una inspección por un experto. En este contexto, observe también todas las normativas nacionales vigentes.

#### CONTROLES MÍNIMOS ANTES DE CADA PUESTA EN SERVICIO

1. Revise la manguera de alta presión y las conexiones de la pistola pulverizadora.

#### CONTROLES A INTERVALOS REGULARES

1. Comprobar el desgaste de las válvulas de admisión y salida, realizar su limpieza y cambiar los consumibles.
2. Limpiar y si es necesario sustituir los filtros de recambio (pistola de pulverización, sistema de aspiración y el filtro de la bomba).

### 7.2 MANGUERA DE ALTA PRESIÓN

Comprobar visualmente la eventual presencia de cortes o desabolladuras en la manguera de alta presión, especialmente en el paso a la grifería. Las tuercas tapón deben tener giro libre. La conductividad debe ser menor que 1 megohmio a todo lo largo.



Atención

Disponer la ejecución de todos los controles eléctricos a través del Servicio Técnico Titan.



En mangueras de alta presión viejas aumenta el riesgo de defectos.

Titan recomienda sustituir la manguera de alta presión al cabo de 6 años.

---

### 7.3 CONSUMIBLES TÍPICOS

Pese a que se utilizan materiales de alta calidad, el efecto fuertemente abrasivo de las pinturas hace inevitable el desgaste en las siguientes partes:

#### VÁLVULA DE ADMISIÓN

(pieza de recambio N° de ped.: 2393043)

Sustitución, véase punto 2.2 (Manual de servicio técnico)

(Fallo perceptible por la pérdida de rendimiento y/o aspiración deficiente o ausente - una limpieza a fondo puede también conducir a una mejora.)

#### VÁLVULA DE ESCAPE

(pieza de recambio N° de ped.: 2369445)

Sustitución, véase punto 2.3 (Manual de servicio técnico)

## 7.4 PROCEDIMIENTO EN CASO DE AVERÍAS

Avería	¿Qué más?	Causa posible	Medidas para eliminación de la avería
La unidad no arranca		El paquete de baterías está descargado	Cargue la batería
		El paquete de baterías no está instalado correctamente	Instale correctamente el paquete de baterías hacia la unidad de potencia
El aparato no aspira.	No salen burbujas por la manguera de retorno.	Válvula de admisión pegada.	Apriete el pulsador de válvula de admisión varias veces con la mano, hasta el tope.
		Válvula de admisión, válvula de escape ensuciada/ Cuerpos extraños absorbidos/desgastados.	Desmonte las válvulas y límpielas (-> véase punto 2.2/2.3 del Manual de servicio técnico*) / sustituya las piezas gastadas.
		Válvula reguladora de presión girada totalmente atrás.	Gire la válvula reguladora de presión a la derecha, hasta el tope.
	Por la manguera de retorno salen burbujas.	El equipos aspira aire secundario.	Compruebe si el sistema de aspiración está bien apretado. ¿Racor de limpieza atornillado herméticamente al tubo de aspiración rígido? ¿Pulsador de válvula de admisión con fugas? -> Cambiar el separador y el anillo toroidal. (-> véase punto 2.1 del Manual de servicio técnico*)
El equipo no genera presión.	El equipo ha aspirado.	Aire en la circulación de aceite.	Purgar el aire de la circulación de aceite en el equipo girando la válvula reguladora de presión completamente a la izquierda (hasta pasar de rosca) y dejar funcionar 2-3 min, girar después la válvula reguladora de presión a la derecha y ajustar la presión de pulverización (repetir la operación eventualmente varias veces).
	El equipo tiene ahora presión, pero ésta decae al pulverizar	Filtro de aspiración taponado.	Compruebe el filtro de aspiración/ eventualmente limpiarlo/sustituirlo.
		Pintura en este estado no procesable, a causa de sus características la pintura pega las válvulas (válvula de admisión) y el caudal es demasiado bajo.	Diluir la pintura.
	El equipo tiene ahora presión, pero al pulverizar se interrumpe el chorro de pulverizado	Los filtros obstruidos dejan pasar muy poca pintura.	(Filtro de alta presión si está presente), comprobar/limpiar el filtro de pistola.
		Boquilla obstruida.	Limpiar la boquilla.
El equipo no genera la presión máx. posible, por la manguera de retorno sale pintura pese a la posición de pulverizado.	Válvula de descarga defectuosa.	Consulte al Servicio postventa Titan	

\* Consulte el Manual de servicio (número de pieza 2470621, disponible en línea) para obtener instrucciones completas sobre los procedimientos de esta sección.

## GARANTIA

A Titan Tool, Inc., ("Titan") garante que, no momento da entrega ao comprador original para seu uso ("Utilizador Final"), o equipamento coberto por esta garantia está isento de defeitos no material e na fabricação. Com a exceção de qualquer garantia especial, limitada ou alargada publicada pela Titan, a obrigação da Titan sob esta garantia se limita a substituir ou reparar sem cobrar essas peças que, segundo o critério da Titan, demonstram estar defeituosas dentro de doze (12) meses após a venda ao Utilizador Final. Esta garantia aplica-se apenas quando a unidade é instalada e operada de acordo com as recomendações e as instruções da Titan.

Esta garantia não se aplica no caso de danos ou desgaste causado pelo desgaste abrasivo, corrosão ou uso indevido, negligência, acidente, instalação incorrecta, substituição de peças de componentes sem serem da Titan, ou alteração ilegal da unidade de forma a afectar o funcionamento normal.

As peças defeituosas devem ser devolvidas a um centro de vendas/serviço autorizado da Titan. Todos os encargos de transporte, incluindo a devolução à fábrica, se necessário, serão custeados e pagos previamente pelo Utilizador Final. O equipamento reparado ou substituído será devolvido ao Utilizador Final com porte pré-pago.

NÃO EXISTE NENHUMA OUTRA GARANTIA EXPRESSA. A TITAN RECUSA PELA PRESENTE TODAS E QUAISQUER GARANTIAS IMPLÍCITAS INCLUINDO, SEM LIMITAÇÕES, AS DE ADEQUAÇÃO À COMERCIALIZAÇÃO, ADEQUAÇÃO A UM FIM ESPECÍFICO, NA MEDIDA EM QUE A LEGISLAÇÃO OBRIGA. A DURAÇÃO DE QUAISQUER GARANTIAS IMPLÍCITAS QUE NÃO PODEM SER RECUSADAS LIMITA-SE AO PRAZO ESPECIFICADO NA GARANTIA EXPRESSA. EM CASO ALGUM, A RESPONSABILIDADE DA TITAN EXCEDERÁ O MONTANTE DO PREÇO DE COMPRA. A RESPONSABILIDADE POR DANOS CONSEQUENCIAIS, ACIDENTAIS OU ESPECIAIS AO ABRIGO DE TODAS E QUAISQUER GARANTIAS ESTÁ EXCLUÍDA NA MEDIDA EM QUE A LEGISLAÇÃO OBRIGA.

A TITAN NÃO OFERECE GARANTIAS E RECUSA TODAS AS GARANTIAS IMPLÍCITAS DE ADEQUAÇÃO À COMERCIALIZAÇÃO E ADEQUAÇÃO A UM FIM ESPECÍFICO REFERENTE A ACESSÓRIOS, EQUIPAMENTO, MATERIAIS OU COMPONENTES VENDIDOS, MAS NÃO FABRICADOS PELA TITAN. AQUELES ARTIGOS VENDIDOS, MAS NÃO FABRICADOS PELA TITAN (COMO MOTORES A GÁS, INTERRUPTORES, TUBOS, ETC.), ESTÃO SUJEITOS À GARANTIA DO SEU PRÓPRIO FABRICANTE, CASO EXISTA. A TITAN PROPORCIONARÁ AO COMPRADOR ASSISTÊNCIA ADEQUADA PARA EFECTUAR QUAISQUER RECLAMAÇÕES EM CASO DE INCUMPRIMENTO DESTAS GARANTIAS.

### UNITED STATES SALES & SERVICE

**WEB:** [www.titantool.com](http://www.titantool.com)

**PHONE:** 1-800-526-5362

1770 Fernbrook Lane

Minneapolis, MN 55447

### INTERNATIONAL

**WEB:** [www.titantool-international.com](http://www.titantool-international.com)

PART NO.	DESCRIPTION	DESCRIPTION	DESCRIPCIÓN
<b>SPRAY GUNS</b>		<b>PISTOLETS DE PULVÉRISATION</b>	<b>PISTOLAS PULVERIZADORAS</b>
538020	RX-Pro® with 517 Tip	RX-Pro® avec buse 517	RX-Pro® con boquilla 517
538022	RX-Pro®, Hose and Tip Kit	RX-Pro®, trousse de Tuyau et Buse	RX-Pro®, juego de manguera y boquilla
538033	RX-Pro®, Hose and HEA™ Tip Kit	RX-Pro®, trousse de Tuyau et Buse HEA™	RX-Pro®, juego de manguera y HEA™ boquilla
538005	RX-80™ 4 finger with 517 Tip	RX-80™ à 4 doigts avec buse 517	RX-80™ para 4 dedos con boquilla 517
538006	RX-80™ 2 finger with 517 Tip	RX-80™ à 2 doigts avec buse 517	RX-80™ para 2 dedos con boquilla 517
538010	RX-80™, Hose and Tip Kit	RX-80™, trousse de Tuyau et Buse	RX-80™, juego de manguera y boquilla
550060	S-3 with 517 Tip	S-3 avec buse 517	S-3 con boquilla 517
<b>SPRAY TIPS AND ACCESSORIES</b>		<b>BUSES D'AIR ET ACCESSOIRES</b>	<b>BOQUILLAS DE PULVERIZACIÓN Y ACCESORIOS</b>
662-XXX*	SC-6+ Tip	Buse SC-6+	Boquilla SC-6+
330-XXX*	HEA™ Tip®	Buse HEA™ Tip®	Boquilla HEA™ Tip®
671-XXX*	Synergy® Fine Finish Tip	Buse Synergy® Fine Finish	Boquilla Synergy® Fine Finish
0289228A	No Build Tip Guard	Protecteur de buse sans accumulation	Protección de la boquilla contra la acumulación de residuos
538029	Tip Swivel	Pivot de buse	Dispositivo giratorio de la boquilla
<b>FILTERS</b>		<b>FILTRES</b>	<b>FILTROS</b>
89957	Coarse Mesh Filter (Green)	Filtre de maille grossier (vert)	Filtro de malla gruesa (verde)
0089958B	Medium Mesh Filter (White)	Filtre de maille moyen (blanc)	Filtro de malla media (blanco)
0089959A	Fine Mesh Filter (Yellow)	Filtre de maille fin (jaune)	Filtro de malla delgada (amarillo)
730-067-30	Manifold filter, 30 mesh	Filtre de pompe, 30 mailles	Filtro de bomba, malla 30
730-067	Manifold filter, 60 mesh	Filtre de pompe, 60 mailles	Filtro de bomba, malla 60
730-067-10	Manifold filter, 100 mesh	Filtre de pompe, 100 mailles	Filtro de bomba, malla 100
710-046B	Rock catcher, 10 mesh	Grille à roches, 10 mailles	Separador de piedras, malla 10
710-191A	Rock catcher, 30 mesh	Grille à roches, 30 mailles	Separador de piedras, malla 30

PART NO.	DESCRIPTION	DESCRIPTION	DESCRIPCIÓN
<b>EXTENSIONS</b>		<b>RALLONGES</b>	<b>EXTENSIONES</b>
2418848	5" Tip Extension	Rallonge de buse de 12,7 cm	Extensión de boquilla de 12,7 cm
2418850	10" Tip Extension	Rallonge de buse de 25,4 cm	Extensión de boquilla de 25,4 cm
2418851	20" Tip Extension	Rallonge de buse de 50,1 cm	Extensión de boquilla de 50,1 cm
2418852	30" Tip Extension	Rallonge de buse de 76,2 cm	Extensión de boquilla de 76,2 cm
2418836	5" Bulk Tip Extension	Rallonge de buse de 12,7 cm, en gros	Extensión de boquilla de 12,7 cm, a granel
2418839	10" Bulk Tip Extension	Rallonge de buse de 25,4 cm, en gros	Extensión de boquilla de 25,4 cm, a granel
2418840	20" Bulk Tip Extension	Rallonge de buse de 50,1 cm, en gros	Extensión de boquilla de 50,1 cm, a granel
2418841	30" Bulk Tip Extension	Rallonge de buse de 76,2 cm, en gros	Extensión de boquilla de 76,2 cm, a granel
2418862	3' Extension Pole with swivel	Tige rallonge avec émerillon de 1 mètre	Alargadera de extensión de 1 m con giratorio
2418863	6' Extension Pole with swivel	Tige rallonge avec émerillon de 2 mètres	Alargadera de extensión de 2 m con giratorio
<b>AIRLESS HOSE AND ACCESSORIES</b>		<b>TUYAU SANS AIR ET ACCESSOIRES</b>	<b>MANGUERAS Y ACCESORIOS SIN AIRE</b>
316-505	1/4" x 50' Airless Hose	Tuyau sans air de 0,6 cm x 15 m	Manguera sin aire de 0,6 cm x 15 m'
291006	3/8" x 50' Airless Hose	Tuyau sans air de 0,95 cm x 15 m	Manguera sin aire de 0,95 cm x 15 m'
316-506	3/16" x 5' Whip Hose	Tuyau flexible de 0,5 cm x 1,5 m	Conexión flexible de manguera de 0,5 cm x 1,5 m
0550063A	1/4" x 1/4" hose connector	Raccord de tuyau de 0,6 cm x 0,6 cm	Conector de manguera de 0,6 cm x 0,6 cm
0550064A	1/4" x 3/8" hose connector	Raccord de tuyau de 0,6 cm x 0,95 cm	Conector de manguera de 0,6 cm x 0,95 cm
550066	3/8" x 3/8" hose connector	Raccord de tuyau de 0,95 cm x 0,95 cm	Conector de manguera de 0,95 cm x 0,95 cm
2404445	Inner-Feed Roller™	Inner-Feed Roller™	Inner-Feed Roller™
2404013	Sprayroller™ with 3' pole	Sprayroller™ avec tige rallonge de 1 mètre	Sprayroller™ con alargadera de extensión de 1 m
341434	Pump component wrench	Clé pour composants de pompe	Llave de componentes de bomba
<b>BATTERY AND CHARGER</b>		<b>BATTERIE ET CHARGEUR</b>	<b>BATERÍA Y CARGADOR</b>
2445452	72V Li-ion battery (10Ah)	Batterie Li-ion 72V (10Ah)	Batería de iones de litio de 72V (10Ah)
2445453	Battery charger (US Plug)	Chargeur de batterie (Fiche US)	Cargador de batería (Enchufe de red US)
<b>LUBRICANTS AND CLEANERS</b>		<b>LUBRIFIANTS ET NETTOYANTS</b>	<b>LUBRICANTES Y LIMPIADORES</b>
314-482	LS-10 Liquid Shield Plus™, 1 Quart	LS-10 Liquid Shield Plus™, 946 ml	LS-10 Liquid Shield Plus™, 946 ml
430-362	Coolflo™ Hydraulic Fluid, 1 Quart	Fluide hydraulique Coolflo™, 0,9 litre	Líquido hidráulico Coolflo™, 946 ml

\* Go to [www.titantool.com](http://www.titantool.com) for tip sizes / visitez [www.titantool.com](http://www.titantool.com) pour la pointe des buse de pulvérisation / Visitar [www.titantool.com](http://www.titantool.com) de tamaño de las boquillas de pulverización



# TITAN<sup>®</sup>

## ELITE<sup>®</sup> 3500 72V

**PERMASTROKE TECHNOLOGY<sup>™</sup>**

Hydraulic Fluid Displacement Pump System Inside

### UNITED STATES SALES & SERVICE

**WEB:** [www.titantool.com](http://www.titantool.com)

**PHONE:** 1-800-526-5362

1770 Fernbrook Lane

Minneapolis, MN 55447

### INTERNATIONAL

**WEB:** [www.titantool-international.com](http://www.titantool-international.com)